



JK-798D

Parts Manual

零件手册

 **杰克缝纫机**
JACK SEWING MACHINE
| [HTTP://WWW.CHINAJACK.COM](http://www.chinajack.com) |

目录/CONTENTS

使用说明/Use Manual	1
一、机壳部分/Machine Bed Frame	4
二、机壳机罩部件(1)/Cover(1)	6
三、机壳机罩部件(2)/Cover(2)	8
四、主轴部件/Crankshaft Drive Mechanism	10
五、夹线部件/Thread Tension Mechanism	12
六、过线机构(1)/Thread Guide and Thread Takeup(1)	14
七、过线机构(2)/Thread Guide and Thread Takeup(2)	16
八、过线机构(3)/Thread Guide and Thread Takeup(3)	18
九、针杆部件(1)/Needle Drive Mechanism(1)	20
十、针杆部件(2)/Needle Drive Mechanism(2)	22
十一、针杆部件(3)/Needle Drive Mechanism(3)	24
十二、上弯针部件/Upper Looper Drive Mechanism	26
十三、下弯针部件/Lower Looper Drive Mechanism	28
十四、二重环弯针机构(1)/Chainstitch Looper Drive Mechanism(1)	30
十五、二重环弯针机构(2)/Chainstitch Looper Drive Mechanism(2)	32
十六、差动调节机构/Feed Mechanism	34
十七、送布机构/Feed Mechanism	36
十八、剪布机构/Knife Drive Mechanism	38
十九、抬压脚机构/Presser Foot Mechanism	40
二十、供油机构(1)/Lubrication Mechanism(1)	42
二十一、供油机构(2)/Lubrication Mechanism(2)	44
二十二、HR装置机构部件/H.R.Device	46
二十三、线架部件/Thread Stand	48
二十四、托盘部件/Part For Semi-Submerged Installation	50
二十五、专用零件/Specific Parts	52
二十六、随机附件部分/Accessories Assemblies	54
二十七、机架部件/The Chassis Parts	56
标准零件度量表/Standard measurement part list	58

⚠️ 为了安全

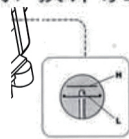
对于缝纫机本身各种装置，我们充分考虑到它的安全性。请遵照基本的操作方法，安全的进行工作。

- 拆除为保证安全所设置的装置，零件的情况下使用，是非常危险的，请绝对不要拆除后使用。
- 缝纫机在使用时，请不要在缝纫机台板上放置工具及缝纫时不必要的物品。
- 在对缝纫机进行检修、调节、清扫、穿线、换针等工作时，为防止发生事故，务必请切断电源，在确认即使踩下缝纫机踏板，缝纫机也不转动之后，再进行操作。

- 1、关闭电源停止缝纫。
- 2、打开缝台装置。
- 3、打开压脚装置。

在对缝纫机进行检修、调节、清扫、穿线、换针等工作完成结束后，请按以下步骤操作。

- 1、压脚装置复位。
- 2、关上缝台装置。
- 3、开启电源进行缝纫。



⚠️ OBSERVE THESE SAFETY PRECAUTIONS

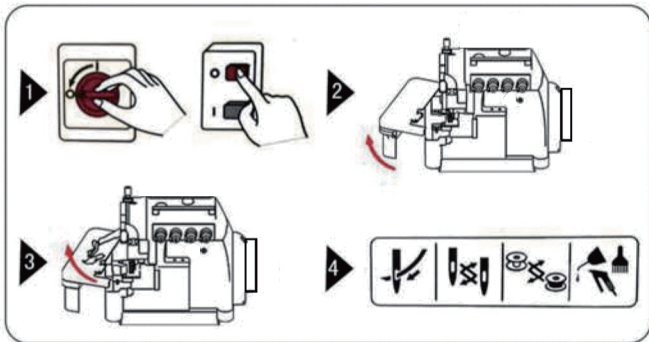
Though we takes the utmost care to produce safe sewing machines and devices, operators should follow these basic safety rules.

- To prevent accidents, do not remove safety devices or parts while operating the machine.
- Do not leave tools or other unnecessary objects on the machine table while operating the machine.
- Before maintenance, adjusting, cleaning, threading or replacing the needle, and to prevent accidents, be sure the power is turned off. Check and make sure the machine will not operate when the pedal is pressed.

1. turn off power and stop sewing.
2. open the sewing plate.
3. remove the foot presser.

After maintenance, adjusting, cleaning, threading or replacing the needle, and to prevent accidents, please click the following steps operation.

1. move back the foot presser.
2. close the sewing plate.
3. turn on the power and start sewing.



- 在离开缝纫机台时，务必请关掉电源。
- 停电时也请务必关掉电源。
- 为了总是安全地，运转良好的使用缝纫机，日常的点检是不可缺少的，请予以注意。

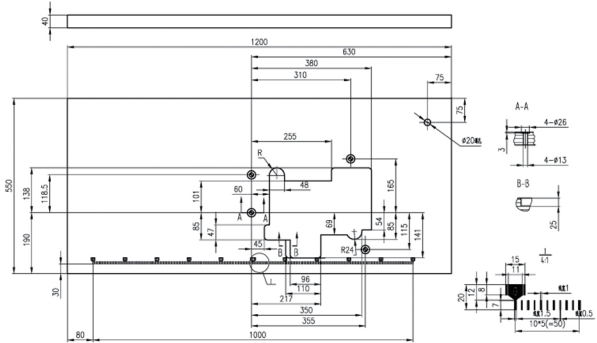
- Turn the power off before leaving the machine table.
- In the event of a power failure, be sure to turn the machine off.
- To guarantee the machine always works well and safety, pay more attention to the daily spot check.

台板加工图

Schematic diagram of the machine

请参照下图进行台板加工

Cut the table referring to the diagram

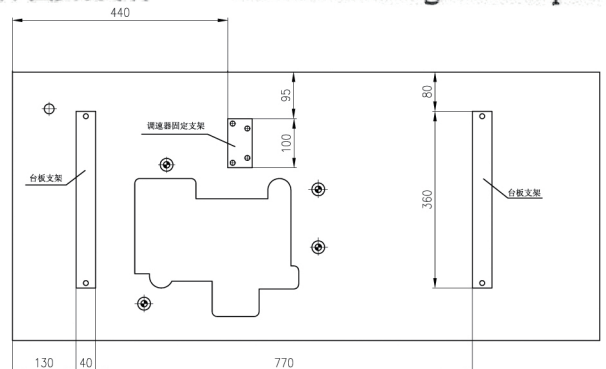


台板安装示意图

Installation diagram of the machine table

请参照下图安装零件

Refer to the drawing installation parts



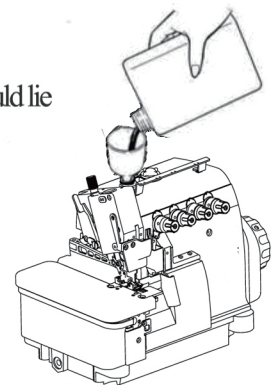
供油

加油量是使油面处于H线与L线之间为好。当油面低于L线时，就要及时补充机油。

Lubrication

After filling the oil pan, the oil surface should lie between (H) and (L) lines.

Add oil, when the oil surface reaches or goes below (L).

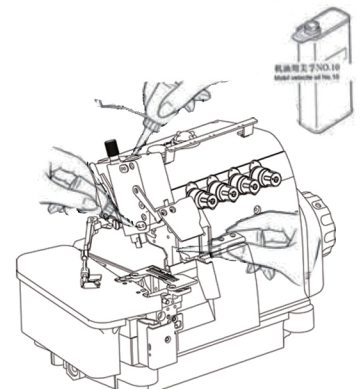


手动供油

手动供油是在缝纫机最初开始使用时或相当一段时间没使用时，请供给2-3滴油。

Manual Lubrication

Apply 2 or 3 of by hand when the machine is used for the first time or has been left unused for some time.



给HR装置供油

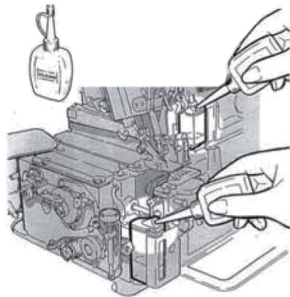
为了防止布纤维或线被切断, 请尽早给HR装置供油。

注: 关于购买硅酯油, 请询问缝纫机代销店或与本公司营业所联系。

Filling the HR device with silicon oil

Fill the device with oil before it is too low in order to prevent needle thread breakage and fabric damage.

Note: Use recommended silicon oil [UNION CARBIDE CORPORATION] UCCL-45(10)



穿线的方法

打开压脚杆及机盖 (三处)

把机上原有的线与缝纫用线绑结在一起。

Threading

Open three covers.

Sewing the presser foot aside.

Knot the preset thread

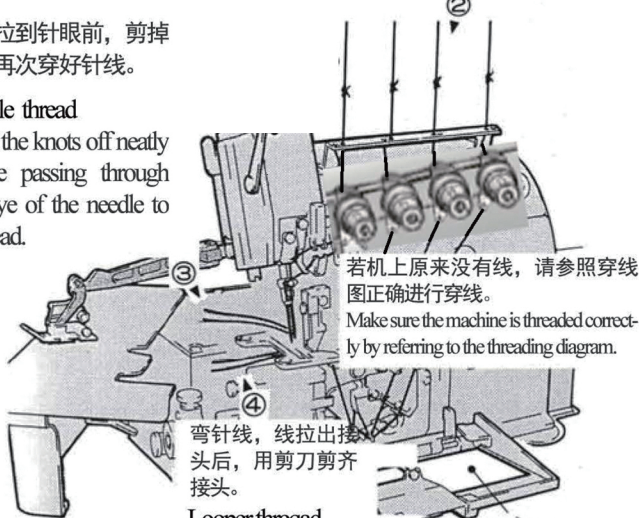
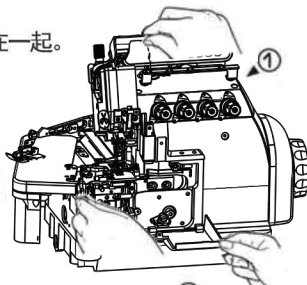
and the thread being used together to thread the machine.

针线

将线拉到针眼前, 剪掉结头再次穿好针线。

Needle thread

Trim the knots off neatly before passing through the eye of the needle to rethread.



若机上原来没有线, 请参照穿线图正确进行穿线。
Make sure the machine is threaded correctly by referring to the threading diagram.

弯针线, 线拉出接头后, 用剪刀剪齐接头。

Looper thread
Trim the knots off neatly after passing through the eye of the looper

过线图

Threading diagram

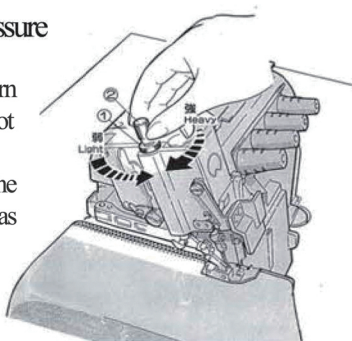
压脚压力调节

压脚压力的调节, 松动螺母①, 调节螺母②, 在送布得到稳定状态下尽可能使用较弱的

Adjusting the presser foot pressure

Loosen adjusting nut ① and then turn adjusting nut ② to adjust the presser foot pressure.

It should be as light as possible in the feed situation when the steady state was obtained.

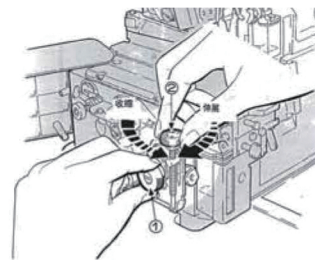


差动比的调节

差动比的调节松开螺母①调节螺母②。

Adjusting the diff. feed ratio

Loosen the adjusting nut ① and turn the adjusting nut ② to adjust the differential feed ratio.



针脚长度的调节

1. 摁住按钮, 旋转手轮, 按钮会陷进更深处。

2. 这时边摁住按钮, 边转动手轮, 使校准标记对准所希望的数值。

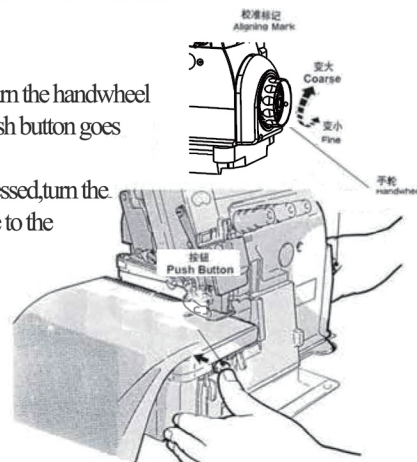
注: 针脚长度的调节务必请在调节差动比之后进行。

Adjusting the stitch length

1. While pressing the push button, turn the handwheel to seek the position at which the push button goes further into the depth.

2. Then, keeping the push button pressed, turn the handwheel and set the desired scale to the aligning mark.

Note: Stitch length adjustment must only be made after the differential feed ratio has been adjusted.

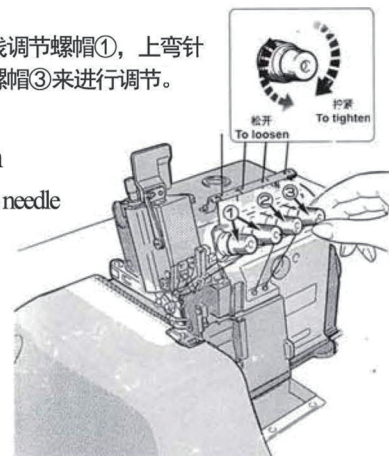


线状态的调节

线张力状态的调节, 请用机针线调节螺帽①, 上弯针线调节螺帽②, 下弯针线调节螺帽③来进行调节。

Adjusting the thread tension

Make tension adjustments with the needle thread knob ①, the upper looper knob ②, and the lower looper knob ③.

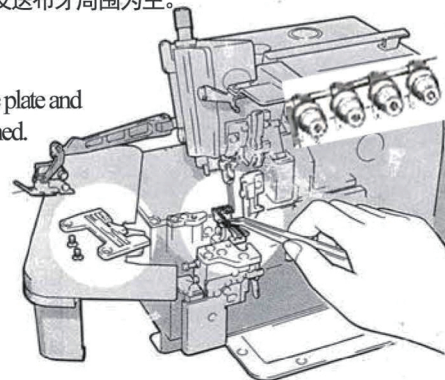


缝纫机的清扫

缝纫机的清扫, 以针板槽及送布牙周围为主。

Cleaning the machine

Mainly the slots of the needle plate and the feed rows should be cleaned.



换针

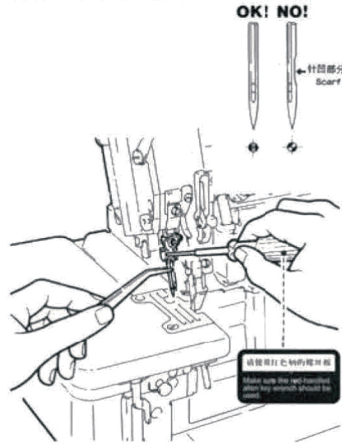
1. 准确辨认针的前后，请将针凹向着后方，即背向操作者进行安装。
2. 针要牢固的插到孔的最深处。

标准使用针：风琴DC×27
安全、包缝系列：风琴DC×5

Replacing the needle

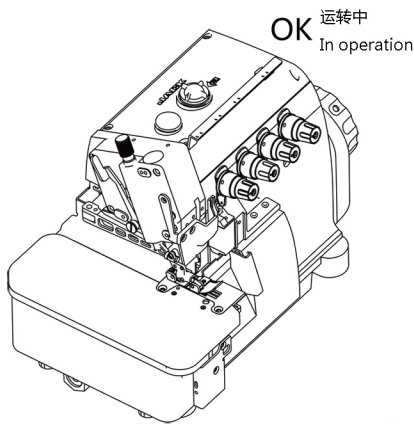
1. Check the needle carefully to see that the scarf is turned to the rear of the machine.
2. Insert the needle to the proper depth, and fasten securely.

Standard needle: Organ DC×27
5200H(3200H)series: Organ DC×5



检查机油的循环

Checking the oil circulation

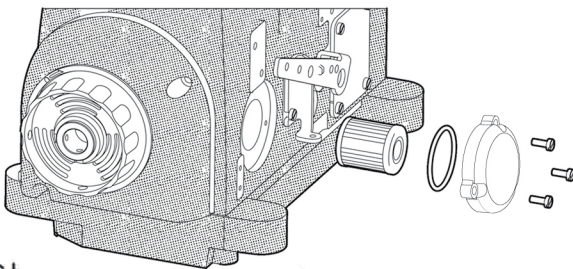


检查油质量，更换油

机油每6个月检查并更换。

Checking and replacing the oil filter

Check and replace the oil filter every six months.

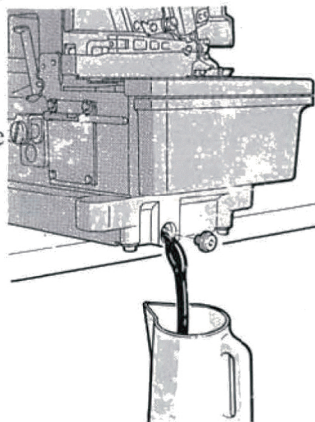


换机油

机油的更换，请在使用开始1个月后更换一次，然后，每6个月更换一次。供油请参见第1页。

Replacing the oil

Replacing the oil one month after the first use and every six months thereafter. (See p1)



下刀片的更换

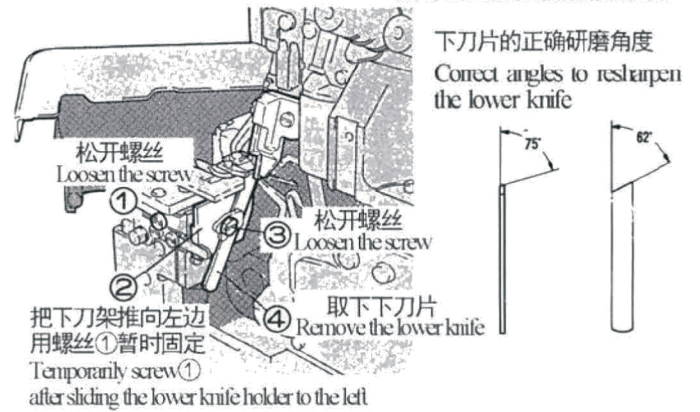
卸下下刀片

把下刀架推向左边，用螺丝①暂时固定。

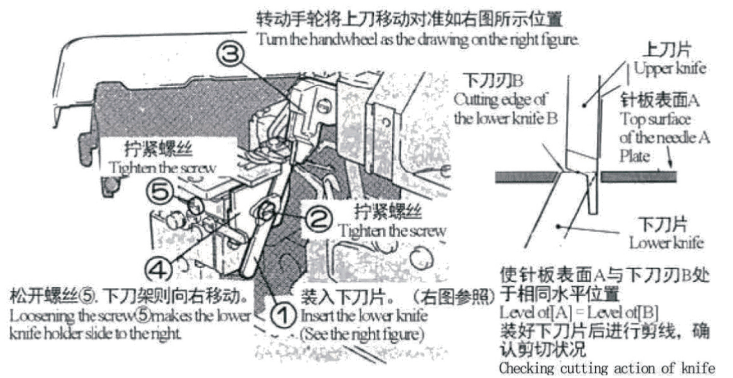
Replacing the lower knife

To remove the lower knife

Temporarily screw ① after sliding the lower knife holder to the left.

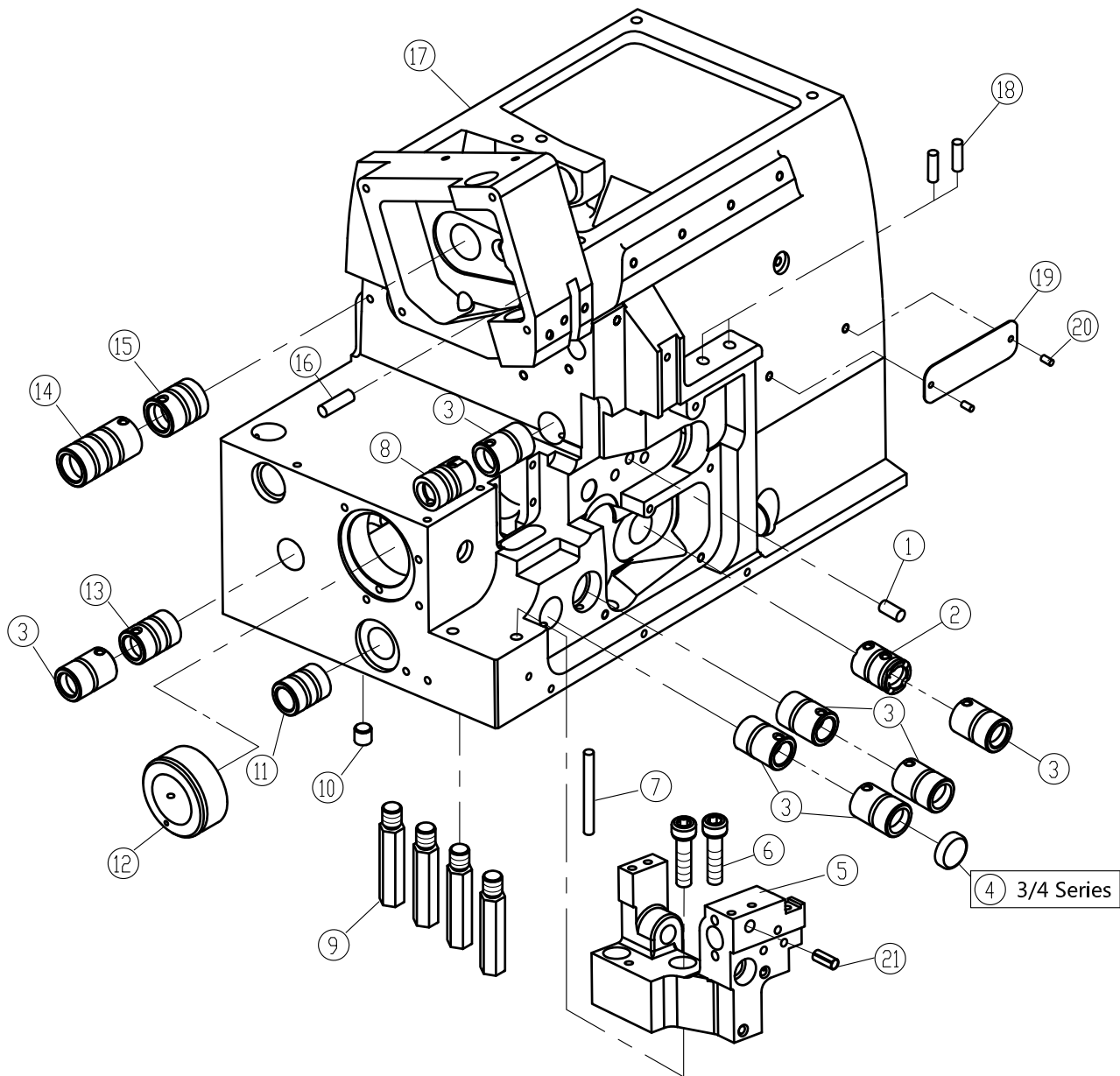


安装下刀片 Install the lower knife



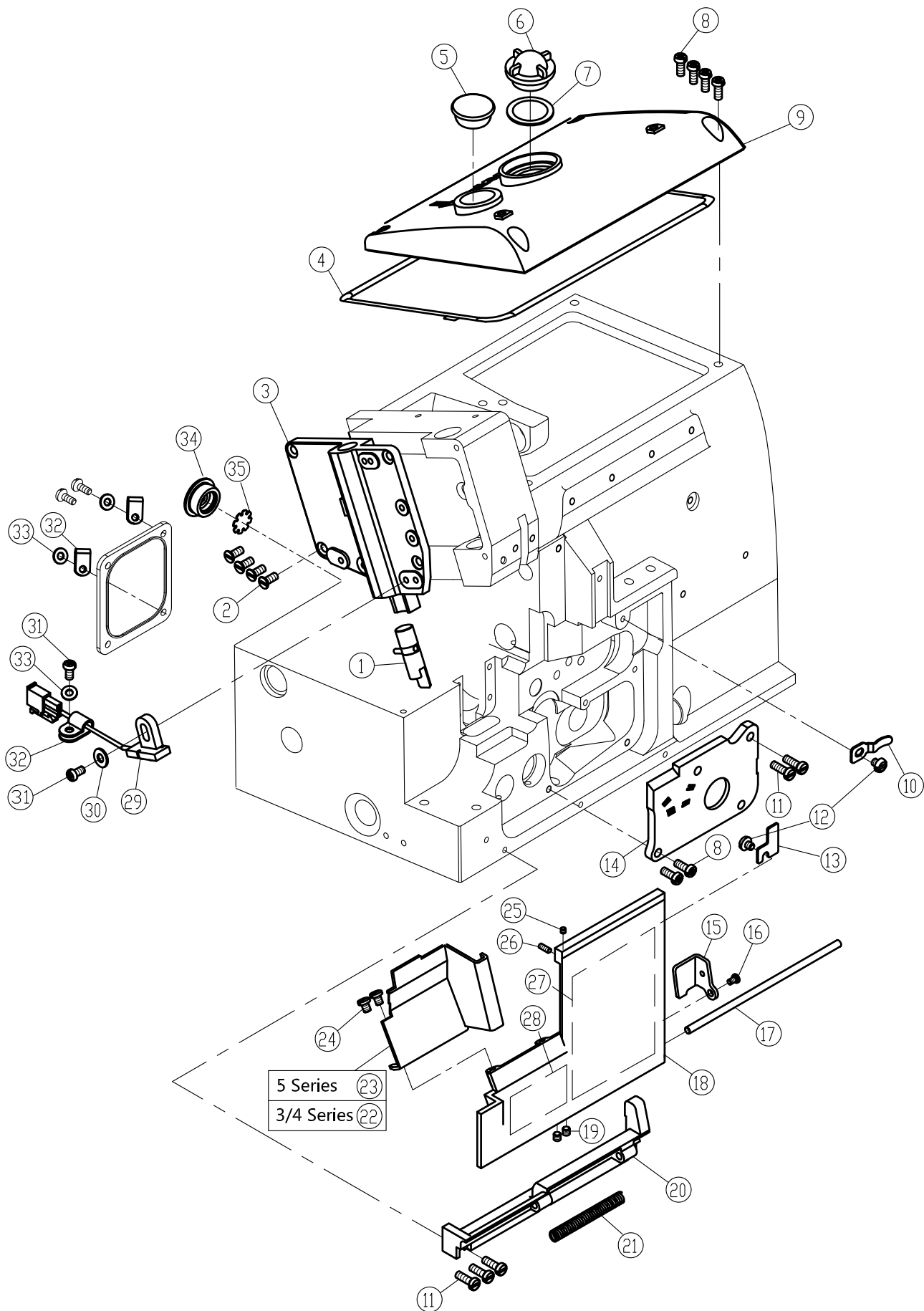
调整基准表

机型	机针高度	下弯针引张	上弯针		二重环引张	送布		转速				
			出量	高度		送布倾斜度	送布高度					
JK-798D-3-02/233	10.5	3.8	4.3-4.7	10.8	11.5	左	针板上面水平	0.5	0.5	4900	5500	
JK-798D-3-32R2/223	10.5	3.8	4.3-4.7	10.8	11.5	左	针板上面水平	0.6-0.7	0.3	4900	5500	
JK-798D-3-82/233	10.5	3.8	4.3-4.7	10.8	11.5	左	针板上面水平	0.8	0.5	4900	5500	
JK-798D-3-12/233	10.5	3.8	4.3-4.7	10.8	11.5	左	针板上面水平	0.8	0.5	4900	5500	
JK-798D-4-83/233	10.5	3.8	5.3-5.7	10.5	13.5	右	针板上面水平	0.8	0.5	4900	5500	
JK-798D-4-M02/333	10.5	3.8	5.3-5.7	10.5	13.5	右	针板上面水平	0.8	0.5	4900	5500	
JK-798D-4-M02/233/H	11.5	3.8	3.7-3.9	11-11.5	13.5	右	针板上面水平	0.8	0.5	4900	5500	
JK-798D-5-03/233	10.5	3.8	4.3-4.7	10.5	11.5	左	1.5	针板上面水平	0.8	0.5	4900	5500
JK-798D-5-03/333	10.5	3.8	4.3-4.7	10.5	11.5	左	1.5	针板上面水平	0.8	0.5	4900	5500
JK-798D-5-A04/435	11.9	4.2	5.0-5.3	12	11.5	左	1.7	针板上面水平	1.1	0.5	4900	5500
JK-798D-5-02A/223	10.5	3.8	4.3-4.7	10.8	11.5	左	1.5	针板上面水平	0.8	0.5	4900	5500



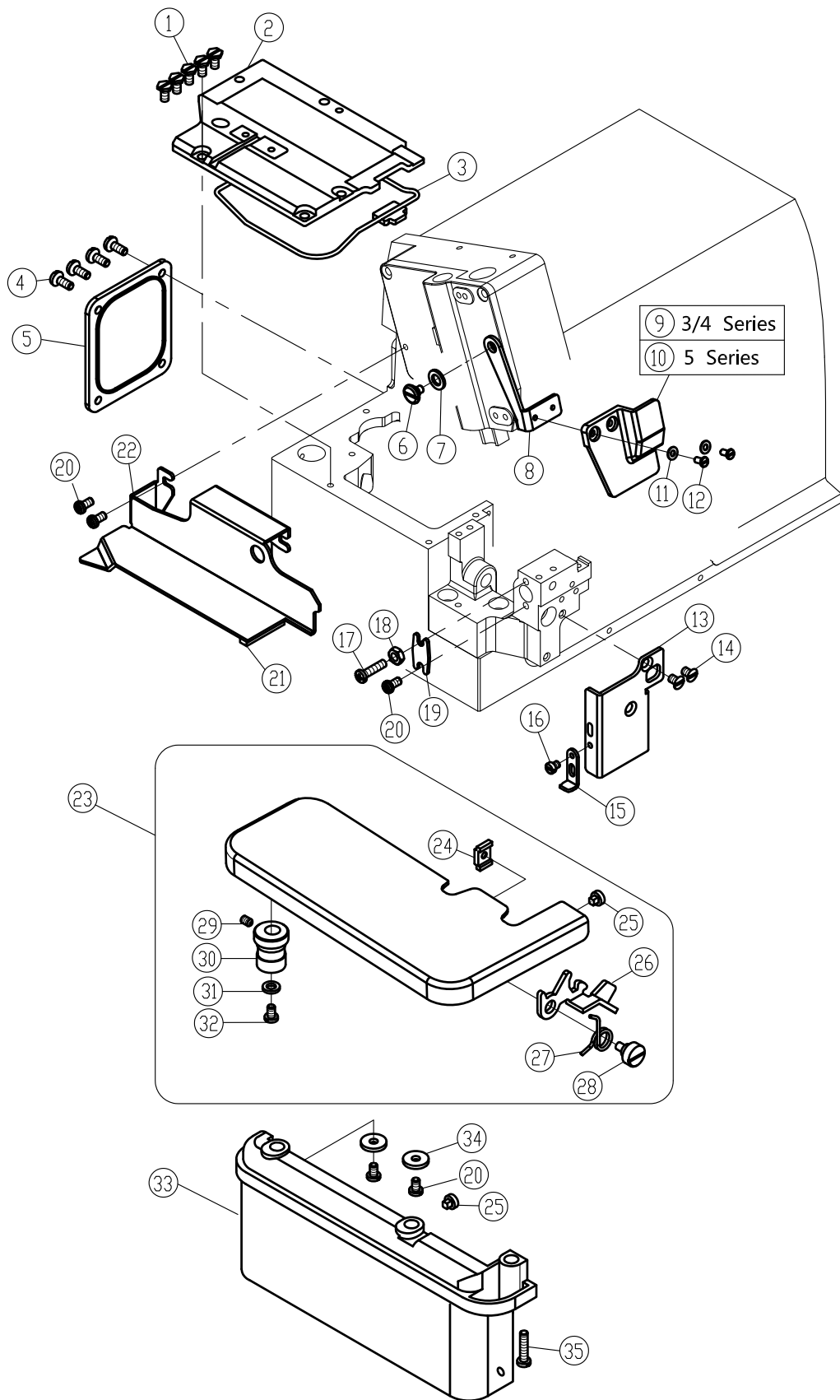
一、机壳部分/Machine Bed Frame

序号 NO.	公司件号 Part NO.	名称	Description	数量 (Number)		
				三线 three-thread	四线 four-thread	五线 five-thread
1	P03017	销5×10	Pin	1	1	1
2	20703006	上弯针后轴套	Sleeve	1	1	1
3	20703009	上刀轴右套	Sleeve	5	5	7
4	20628023	送布轴油封	Plug	1	1	0
5	20701002	下刀座	Bracket Assembly	1	1	1
6	207S13003	螺钉M6×25	Screw	2	2	2
7	P03018	销4×40	Pin	1	1	1
8	20703004	上刀轴左套	Sleeve	1	1	1
9	206S30001	支柱	Bed pin	4	4	4
10	20126001	工艺孔销	Pin	1	1	1
11	20703008	差动轴套	Sleeve	1	1	1
12	20703007	主轴轴套	Sleeve	1	1	1
13	20703003	送布右轴套	Sleeve	1	1	1
14	20703002	上轴左套	Sleeve	1	1	1
15	20703001	上轴右套	Sleeve	1	1	1
16	P03010	销5×16	Pin	1	1	1
17	302742	机壳(喷漆)	Machine Bed Complete	1	1	1
18	20713027	过线管	Pipe	2	2	2
19	20737003	机型牌	Machine Model Plate	1	1	1
20	R03001	铆钉	Screw	2	2	2
21	P03019	开口销	Pin	1	1	1



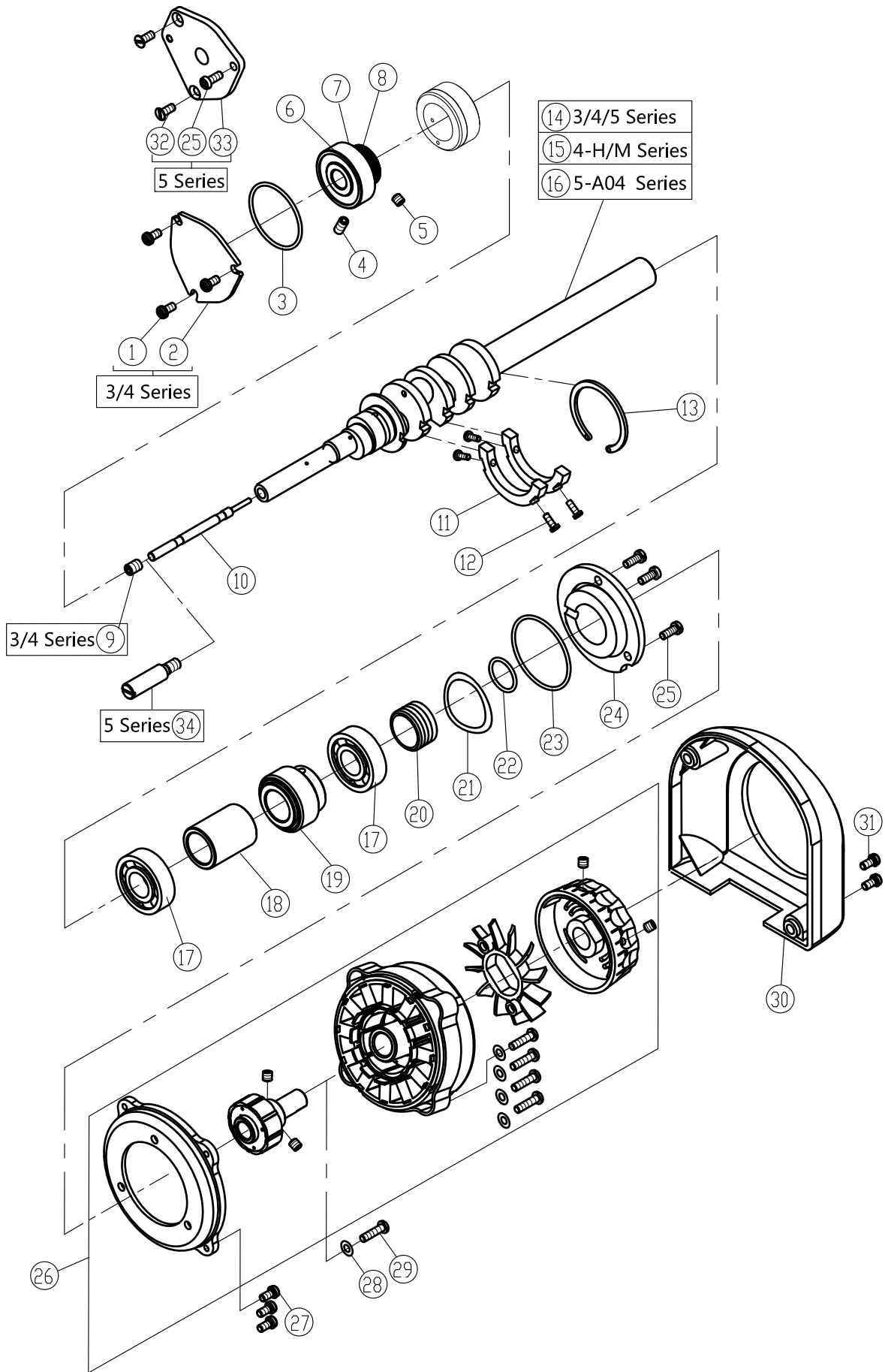
二、机壳机罩部件(1)/Cover (1)

序号 NO.	公司件号 Part NO.	名称	Description	数量 (Number)		
				三线 three-thread	四线 four-thread	五线 five-thread
1	20702017	压脚杆	Presser Bar	1	1	1
2	207S17005	螺钉M4×10	Screw	4	4	4
3	300165	侧盖	Side Cover	1	1	1
4	20722202	密封垫	Gasket	1	1	1
5	20722002	油塞	Plug	1	1	1
6	20711055	油标盖	Oil sight window	1	1	1
7	21022003	油标盖垫	Washer	1	1	1
8	207S11012	螺钉M4×10	Screw	6	6	6
9	20701040	上盖	Top Cover	1	1	1
10	20612004	前罩板卡簧	Flat Spring	1	1	1
11	207S11008	螺钉M4×12	Screw	5	5	5
12	S01031	螺钉M4×4.7	Screw	2	2	2
13	20712003	锁紧板	Latch	1	1	1
14	20712005	前盖板	Side Cover	1	1	1
15	20712002	锁紧板	Latch	1	1	1
16	207S11009	螺钉M3×2.5	Screw	1	1	1
17	20626001	铰链销	Pin	1	1	1
18	300166	右前盖	Front Cover(right)	1	1	1
19	207S14001	螺钉M4×4	Screw	2	2	2
20	20701006	铰链	Hinge	1	1	1
21	20627001	铰链销弹簧	Spring	1	1	1
22	20712004	左前盖	Front Cover(left)	1	1	0
23	20712043	左前盖	Front Cover(left)	0	0	1
24	207S11011	螺钉M4×5	Screw	2	2	2
25	207S14003	螺钉M3×4	Screw	1	1	1
26	207S14002	螺钉M3×12	Screw	1	1	1
27	xxxxxxx	穿线图	Threading diagram	1	1	1
28	xxxxxxx	穿线图	Threading diagram	0	0	1
29	2013001000	LED灯组件	LED ASSY	1	1	1
30	20628012	大垫片	Washer	1	1	1
31	207S11007	螺钉	Screw	2	2	2
32	20711210	R型线夹	R thread clamp	3	3	2
33	20612062	小垫片	Washer	3	3	2
34	21022007	油封	Oil seal	1	1	1
35	21012018	油封垫	Oil seal washer	1	1	1



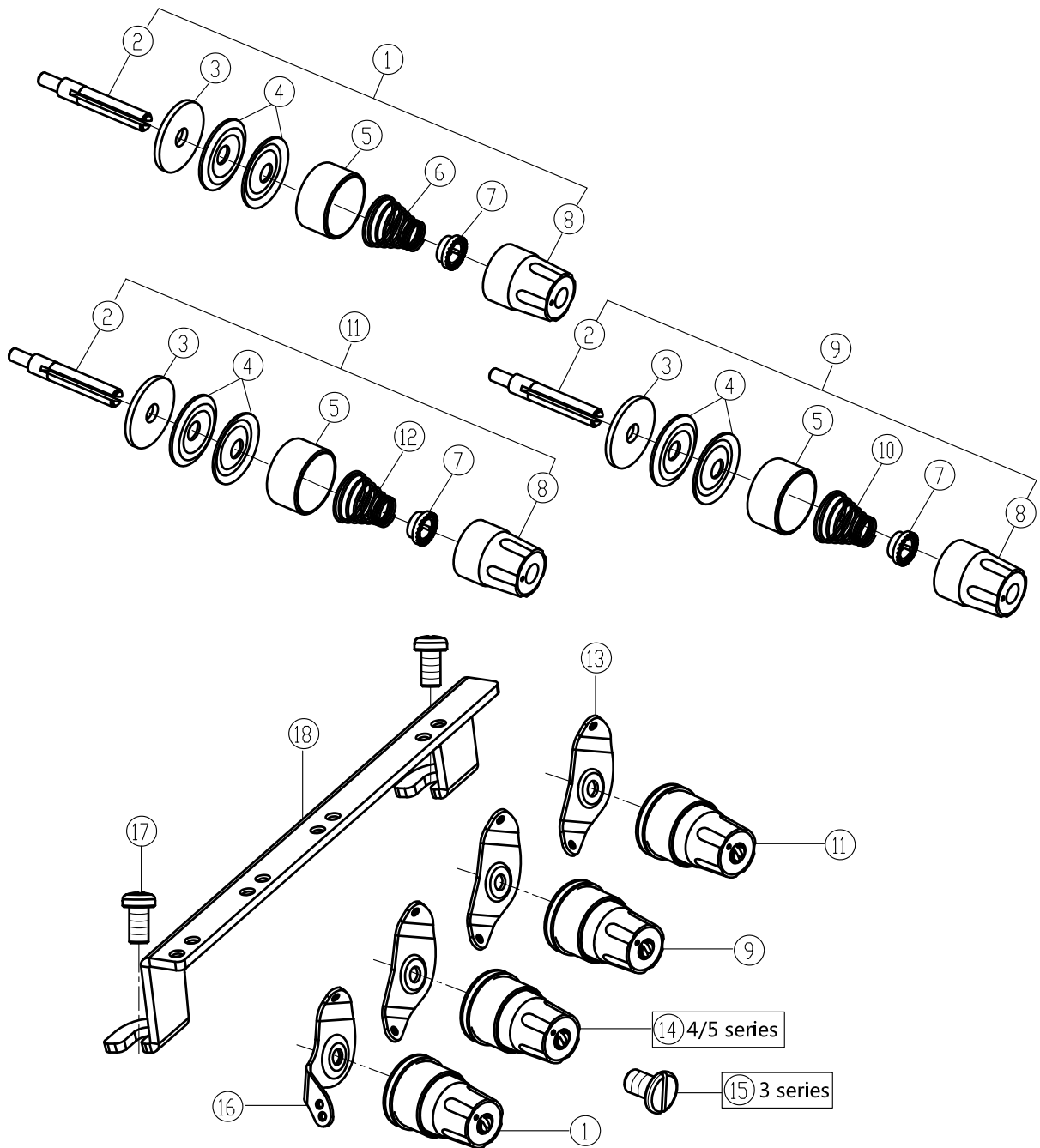
三、机壳机罩部件(2)/Cover (2)

序号 NO.	公司件号 Part NO.	名称	Description	数量 (Number)		
				三线 three-thread	四线 four-thread	五线 five-thread
1	207S12001	螺钉M4×8	Screw	5	5	5
2	20701007	左上盖	Bed Cover Plate Assy.	1	1	1
3	20722003	密封垫	Gasket	1	1	1
4	S01005	螺钉M4×10	Screw	4	4	4
5	2071208600	后窗板	Cover Plate	1	1	1
6	207S20002	螺钉M4	Screw	1	1	1
7	20128015	垫圈	Washer	1	1	1
8	20712011	托架	Bracket	1	1	1
9	20711005	防护罩	Eye Guide	1	1	0
10	20711019	防护罩	Eye Guide	0	0	1
11	W01011	垫圈3	Washer	2	2	2
12	207S11015	螺钉M3×6	Screw	2	2	2
13	20712008	挡板	Plate	1	1	1
14	207S17003	螺钉M4×7.5	Screw	2	2	2
15	20612016	下刀座前垫护板	Latch	1	1	1
16	207S11014	螺钉M3.5×4.5	Screw	1	1	1
17	207S11016	螺钉M4×16	Screw	1	1	1
18	N01001	螺母M4	Nut	1	1	1
19	20712022	挡板	Plate	1	1	1
20	207S11007	螺钉M4×7.5	Screw	5	5	5
21	20722016	支撑垫	Cushion	1	1	1
22	20712010	布料挡板	Fabric Guide	1	1	1
23	2071204400	缝台组件	Cloth Plate	1	1	1
24	20612009	前盖板固定块	Bracket	1	1	1
25	20622003	减震垫	Cushion Rubber	2	2	2
26	20627002	缝台簧	Lever	1	1	1
27	20627003	扭簧	Spring	1	1	1
28	206S20006	螺钉M4	Screw	1	1	1
29	207S14007	螺钉M4×6	Screw	1	1	1
30	20603016	套筒	Bushing	1	1	1
31	W02004	止动垫圈6	Washer	1	1	1
32	207S11011	螺钉M4×5	Screw	1	1	1
33	20711018	侧盖组件	Side Cover(Wide)	1	1	1
34	20528017	垫片	Washer	2	2	2
35	207S11013	螺钉M4×17.5	Screw	1	1	1



四、主轴部件/Crankshaft Drive Mechanism

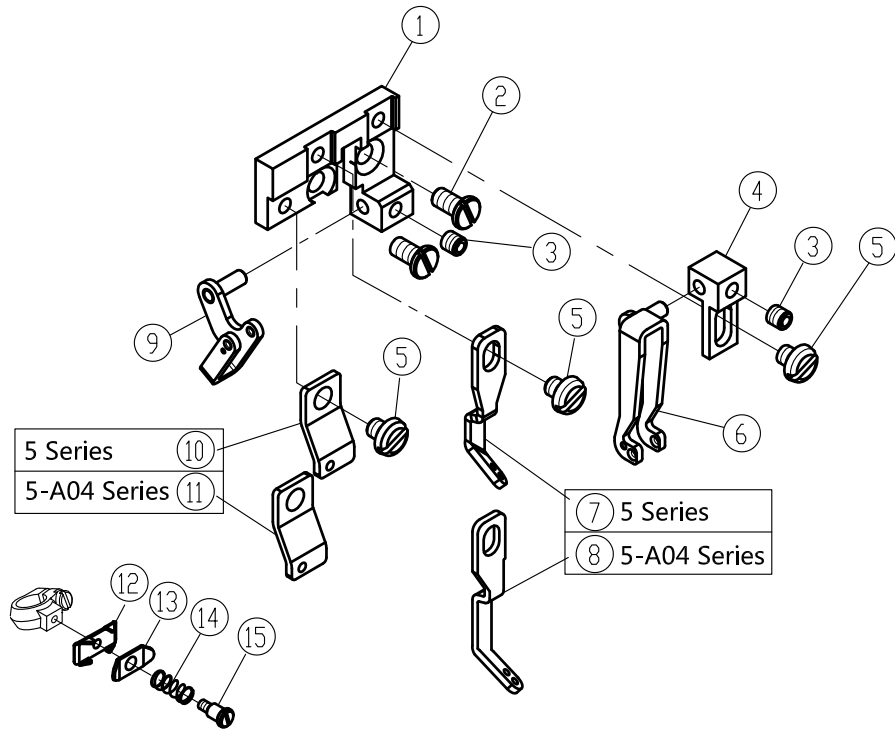
序号 NO.	公司件号 Part NO.	名称	Description	数量 (Number)		
				三线 three-thread	四线 four-thread	五线 five-thread
1	207S11007	螺钉M4×7.5	Screw	3	3	0
2	20712013	前轴承盖	Cover	1	1	0
3	001024	O型圈40×1.8	O Ring	1	1	1
4	207S11041	螺钉M5×10	Screw	1	1	1
5	207S11042	螺钉M5×5	Screw	1	1	1
6	001037	O型圈30×1.2	O Ring	2	2	2
7	B04004	轴承6202LB	Ball Bearing	1	1	1
8	20725001	棘轮	Ratchet	1	1	1
9	S10009	螺钉M6×8	Screw	1	1	0
10	20726002	销	Pin	1	1	1
11	20701008	平衡块	Blance Weight	2	2	2
12	207S11017	螺钉M3×8	Screw	4	4	4
13	20729001	卡簧	Ring	1	1	1
14	400046	主轴	Crankshaft	1	1	1
15	20702054	主轴	Crankshaft	0	1	0
16	400045	主轴	Crankshaft	0	0	1
17	B01005	轴承6203Z	Ball Bearing	2	2	2
18	20708003	轴套	Spacer	1	1	1
19	20725003	蜗杆	Worm	1	1	1
20	20103002	主轴中轴套	Oil Seal	1	1	1
21	W03003	垫圈32	Washer	1	1	1
22	001025	O型圈17×1.8	O Ring	1	1	1
23	001028	O型圈41×1.8	O Ring	1	1	1
24	20708015	后轴承盖	Rigth Cover	1	1	1
25	207S11012	螺钉M4×10	O Ring	3	3	4
26	2073301000	直驱电机	Direct drive moter	1	1	1
27	S01011	螺钉	Screw	3	3	3
28	W02004	垫片	Washer	1	1	1
29	207S13003	螺钉M6×25	Screw	1	1	1
30	20711056	电机罩	Cover	1	1	1
31	207S11026	螺钉M6×16	Screw	2	2	2
32	207S17001	螺钉M4×10	Screw	0	0	2
33	20712046	前轴承盖	Cover	0	0	1
34	20602002	主轴接轴	Pin	0	0	1



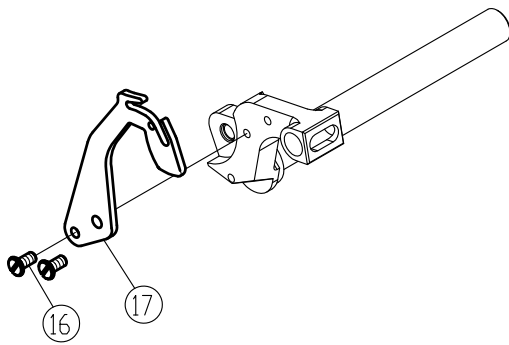
五、夹线部件/Thread Tension Mechanism

序号 NO.	公司件号 Part NO.	名称	Description	数量 (Number)		
				三线 three-thread	四线 four-thread	五线 five-thread
1	400662	夹线器组件 (红点)	Tension Spring Assembly	1	1	1
2	201S30016	夹线螺钉	Screw Stud	3	4	4
3	20623008	夹线片垫	Felt	3	4	4
4	400161	夹线片	Tension Disc	6	8	8
5	30111005	调压止动盖	Cup	3	4	4
6	30127011	调压簧	Spring	1	2	2
7	30111006	调压止动套	Rachet	3	4	4
8	301S16006	调压螺母	Knob	3	4	4
9	400663	夹线器组件 (蓝点)	Tension Spring Assembly	1	1	1
10	30127012	调压簧 (中)	Spring	1	1	1
11	400668	夹线器组件 (绿点)	Tension Spring Assembly	1	1	1
12	30127013	调压簧 (弱)	Spring	1	1	1
13	20113002	前过线板	Tension Guide	2	3	3
14	400661	夹线器组件 (黄点)	Tension Spring Assembly	0	1	1
15	206S11005	螺钉SM11/64×40	Screw	1	0	0
16	20712032	过线板	Thread Guide	1	1	1
17	207S11007	螺钉M4×7.5	Screw	2	2	2
18	20713001	过线板	Thread Guide	1	1	1

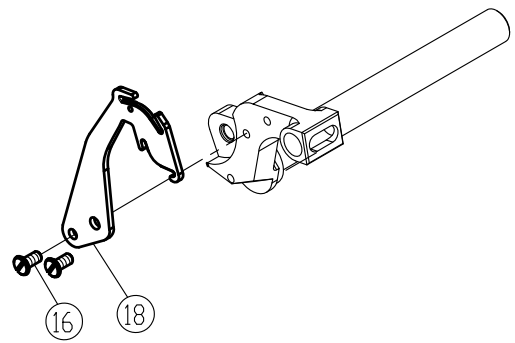
5 Series



5 Series



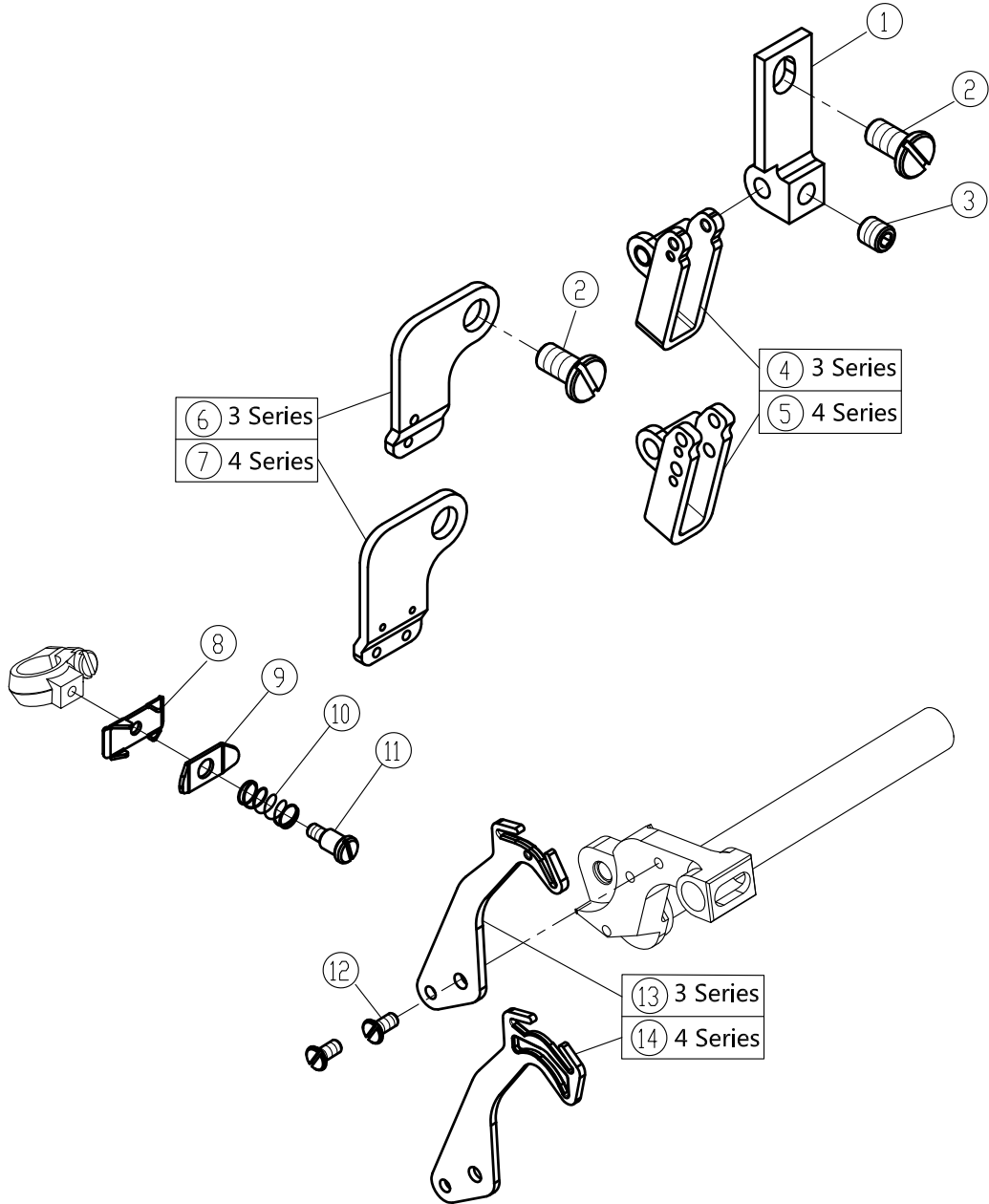
5-A04 Series



六、过线机构(1)/Thread Guide and Thread Takeup(1)

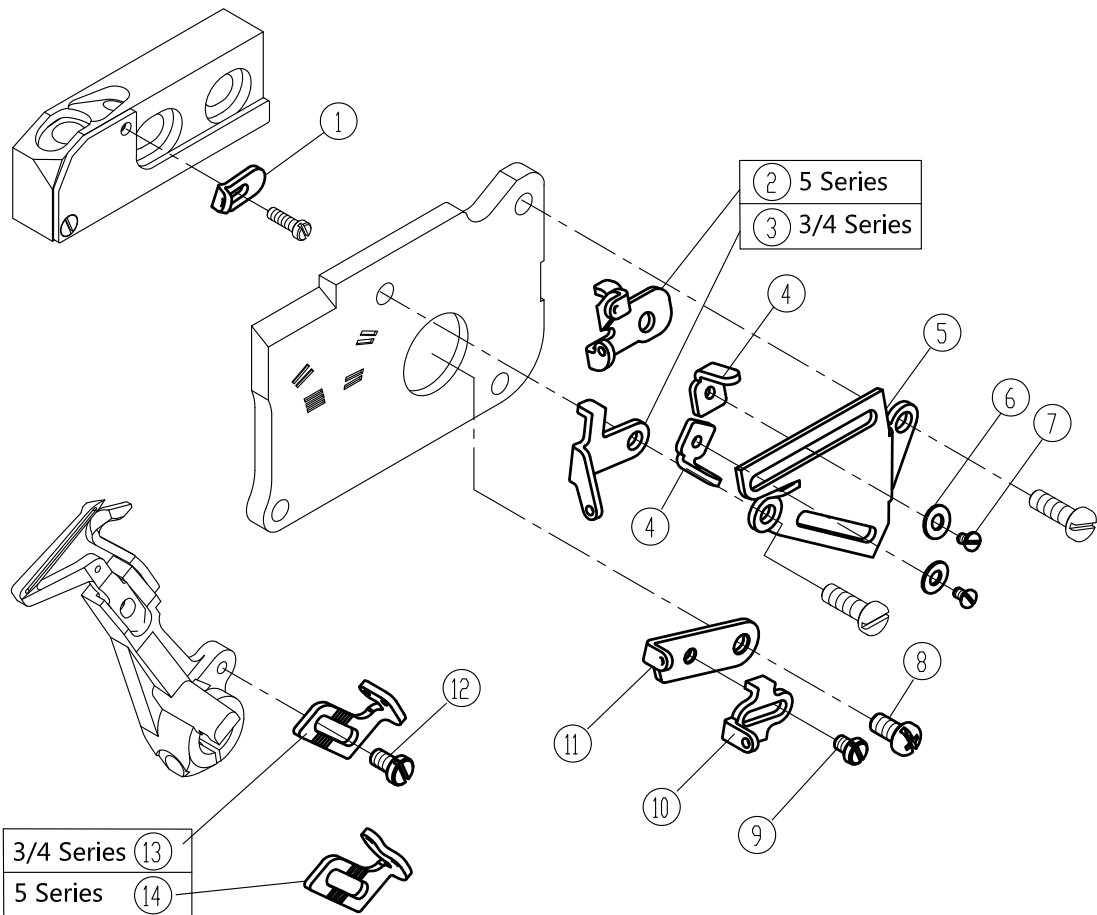
序号 NO.	公司件号 Part NO.	名称	Description	数量 (Number)		
				三线 three-thread	四线 four-thread	五线 five-thread
1	20701029	托架	Bracket	0	0	1
2	207S11019	螺钉M4×7.5	Screw	0	0	2
3	207S14001	螺钉M4×4	Screw	0	0	2
4	20701030	托架	Bracket	0	0	1
5	S01031	螺钉M4×4.7	Screw	0	0	3
6	20713020	过线	Thread Guide	0	0	1
7	20713023	过线	Thread Guide	0	0	1
8	20713051	过线	Thread Guide	0	0	1
9	20713021	过线	Thread Guide	0	0	1
10	20713022	过线	Thread Guide	0	0	1
11	20713050	过线	Thread Guide	0	0	1
12	20713006	托架	Bracket	0	0	1
13	20713007	压线板	Thread Retainer	0	0	1
14	20727002	压簧	Spring	0	0	1
15	207S20003	螺钉	Screw	0	0	1
16	207S11015	螺钉M3×6	Screw	0	0	2
17	20713024	挑线杆	Thread Takeup	0	0	1
18	20713052	挑线杆	Thread Takeup	0	0	1

3/4 Series



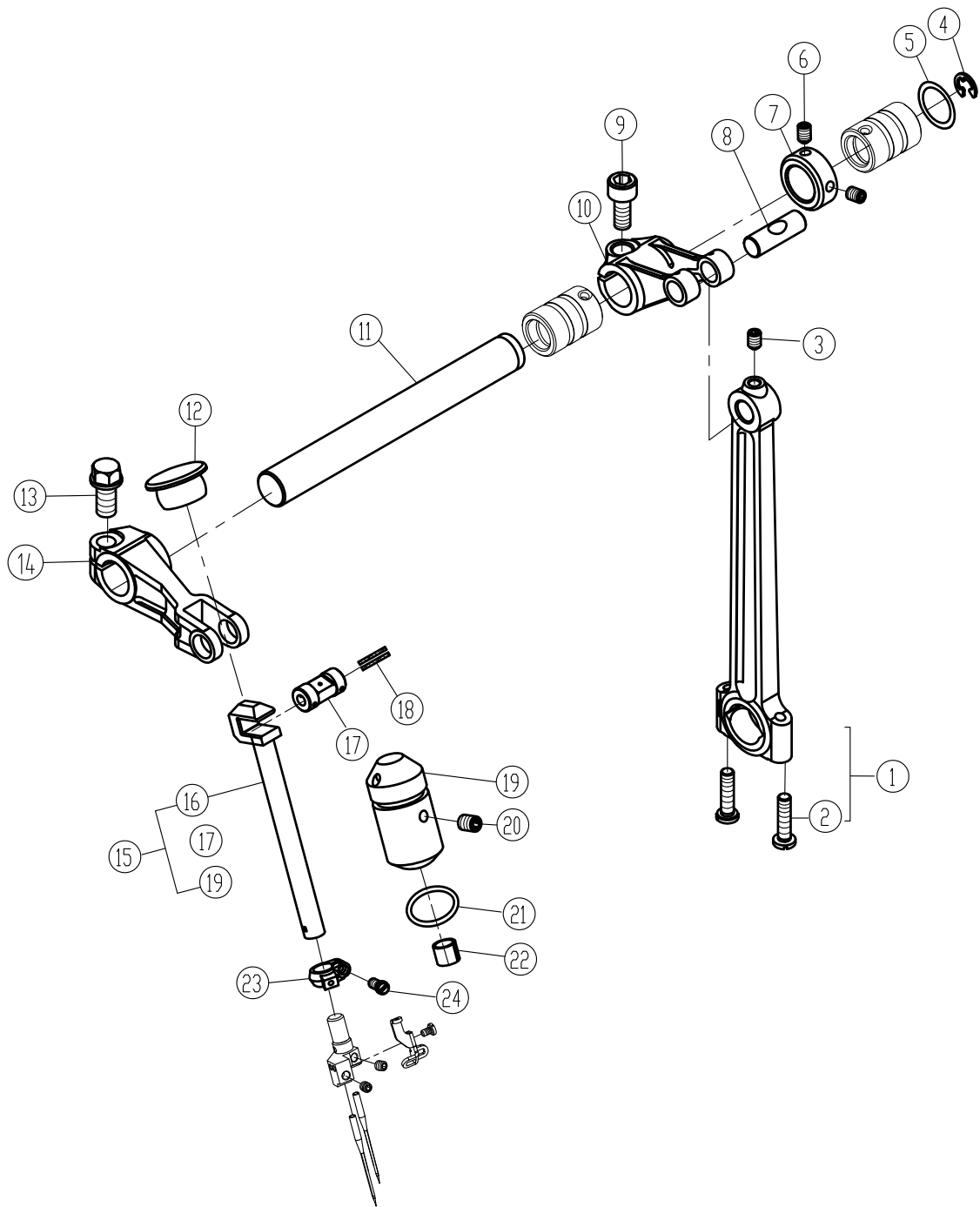
七、过线机构(2)/Thread Guide and Thread Takeup(2)

序号 NO.	公司件号 Part NO.	名称	Description	数量 (Number)		
				三线 three-thread	四线 four-thread	五线 five-thread
1	20701010	托架	Bracket	1	1	0
2	207S11019	螺钉M4×4.7	Screw	2	2	0
3	207S14001	螺钉M4×4	Screw	1	1	0
4	20713002	过线	Thread Guide	1	0	0
5	20713003	过线	Thread Guide	0	1	0
6	20713004	过线	Thread Guide	1	0	0
7	20713005	过线	Thread Guide	0	1	0
8	20713006	托架	Bracket	1	1	0
9	20713007	压线板	Thread Retainer	1	1	0
10	20727002	压簧	Spring	1	1	0
11	207S20003	螺钉	Screw	1	1	0
12	207S11015	螺钉M3×6	Screw	2	2	0
13	20713008	挑线杆	Thread Takeup	1	0	0
14	20713009	挑线杆	Thread Takeup	0	1	0



八、过线机构(3)/Thread Guide and Thread Takeup(3)

序号 NO.	公司件号 Part NO.	名称	Description	数量 (Number)		
				三线 three-thread	四线 four-thread	五线 five-thread
1	20713054	过线	Thread Guide	1	1	1
2	20713053	过线	Thread Guide	0	0	1
3	20713012	过线	Thread Guide	1	1	0
4	20113015	过线	Thread Guide	2	2	2
5	20712016	托架	Bracket	1	1	1
6	W01011	垫圈	Washer	2	2	2
7	201S11006	螺钉	Screw	2	2	2
8	207S11007	螺钉M4×7.5	Screw	1	1	1
9	207S11020	螺钉M3×4	Screw	1	1	1
10	20713011	过线	Thread Guide	1	1	1
11	20713010	挑线架	Thread Takeup	1	1	1
12	207S11021	螺钉M3.5×6	Screw	1	1	1
13	20713015	挑线架	Thread Takeup	1	1	0
14	20713055	挑线架	Thread Takeup	0	0	1

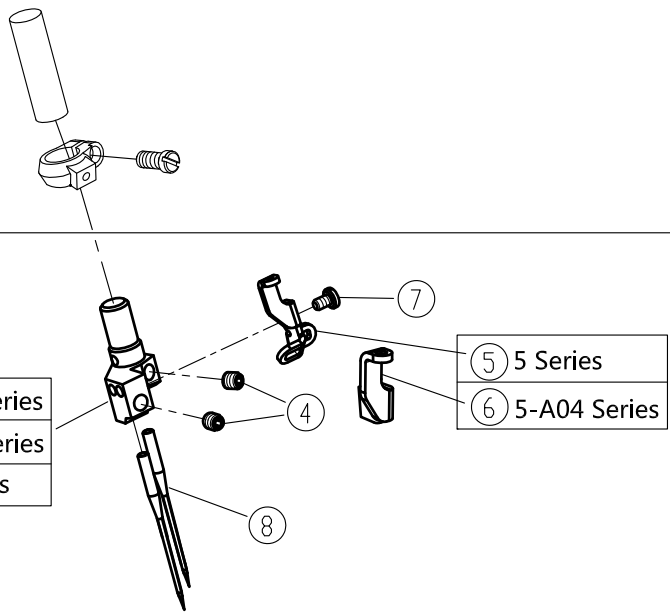


九、针杆部件(1)/Needle Drive Mechanism(1)

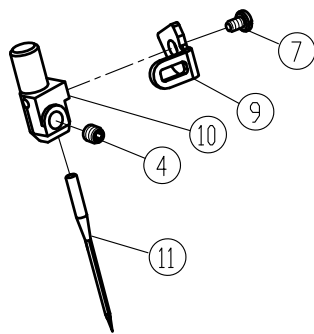
序号 NO.	公司件号 Part NO.	名称	Description	数量 (Number)		
				三线 three-thread	四线 four-thread	五线 five-thread
1	400039	针杆连杆	Connection	1	1	1
2	207S11016	螺钉M4×16	Screw	2	2	2
3	207S14007	螺钉M4×6	Screw	1	1	1
4	H05008	挡圈8	Ring	1	1	1
5	20628014	上刀架垫片	Washer	1	1	1
6	207S14001	螺钉M4×4	Screw	2	2	2
7	20708004	上轴挡圈	Collar	1	1	1
8	20626003	曲柄销	Pin	1	1	1
9	S05018	螺钉M6×0.75×12	Screw	1	1	1
10	20704001	上轴曲柄	Crank	1	1	1
11	20702002	上轴	Shaft	1	1	1
12	20722004	油塞	Plug	1	1	1
13	207S11043	螺钉	Screw	1	1	1
14	20704002	针杆曲柄	Lever	1	1	1
15	2060303100	针杆组件	Needle Bar Assembly	1	1	1
16	20702003	针杆	Needle Bar	1	1	1
17	20726003	曲柄销	Shaft	1	1	1
18	20523005	油线	Oil wick	1	1	1
19	20703012	针杆套	Bushing	1	1	1
20	207S14008	螺钉M4×5	Screw	1	1	1
21	001026	O型圈11.5×1.5	O Ring	1	1	1
22	20723003	毛毡	Oil Felt	1	1	1
23	20708005	挡圈	Ring	1	1	1
24	207S11023	螺钉M3×6	Screw	1	1	1

2针 (2-needle)
5 Series

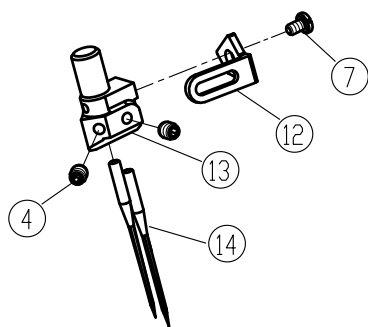
- ① 5-03/333 Series
- ② 5-03/233 Series
- ③ 5-A04 Series



1针 (1-needle)
3 Series

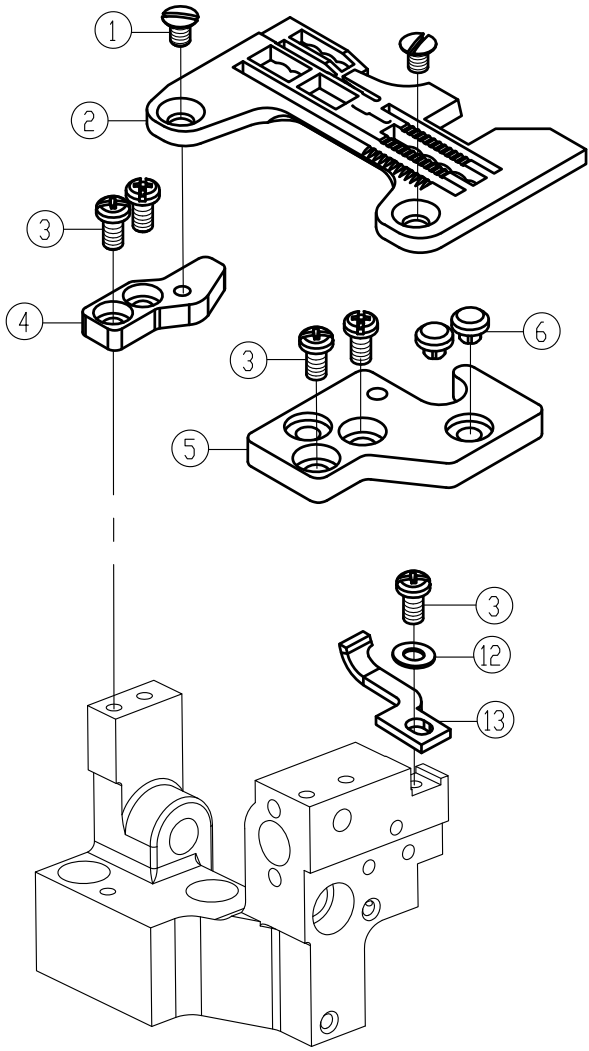


2针 (2-needle)
4 Series

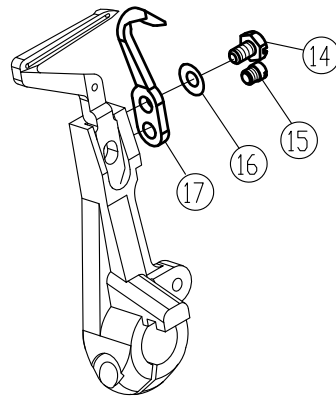
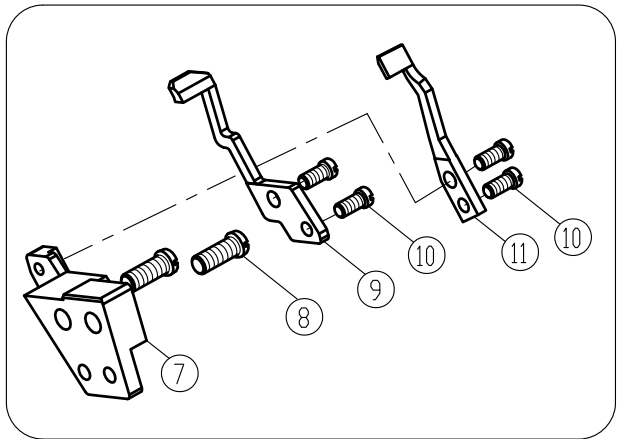


十、针杆部件(2)/Needle Drive Mechanism(2)

序号 NO.	公司件号 Part NO.	名称	Description	数量 (Number)		
				三线 three-thread	四线 four-thread	五线 five-thread
1	20734003	针夹头	Needle Holder Assembly	0	0	1
2	20734004	针夹头	Needle Holder Assembly	0	0	1
3	20719056	针夹头	Needle Holder Assembly	0	0	1
4	207S14014	螺钉M3×3	Screw	1	2	2
5	20713017	过线	Thread Guide	0	0	1
6	20713056	过线	Thread Guide	0	0	1
7	207S11024	螺钉M2×3	Screw	1	1	1
8	xxxxxxxx	机针	Needle	0	0	2
9	20713038	过线(一针)	Thread Guide	1	0	0
10	20734001	针夹头(三线)	Needle Holder Assembly	1	0	0
11	xxxxxxxx	机针	Needle	1	0	0
12	20713018	过线	Thread Guide	0	1	0
13	20734002	针夹头(四线)	Needle Holder	0	1	0
14	xxxxxxxx	机针	Needle	0	2	0

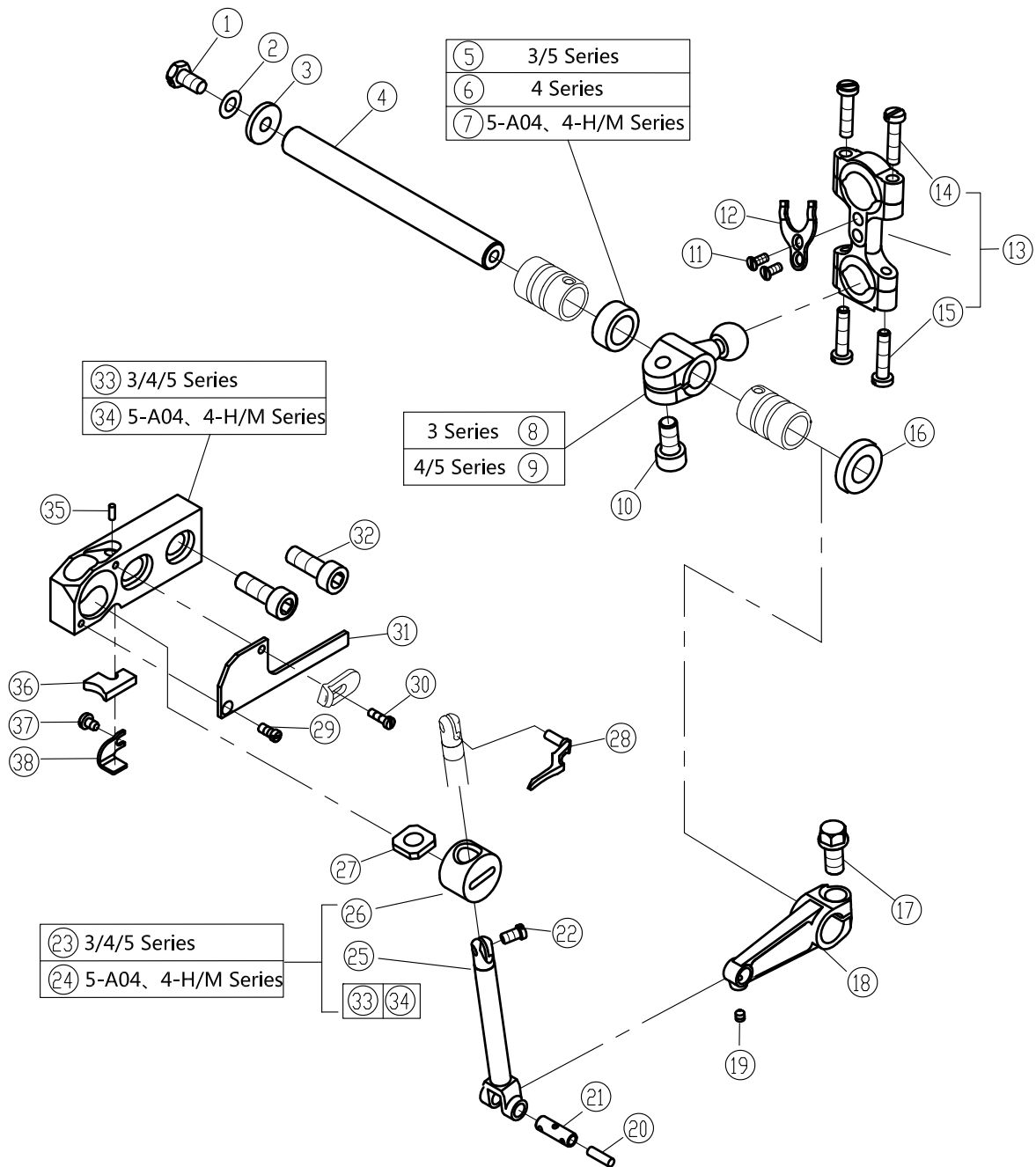


5 Series



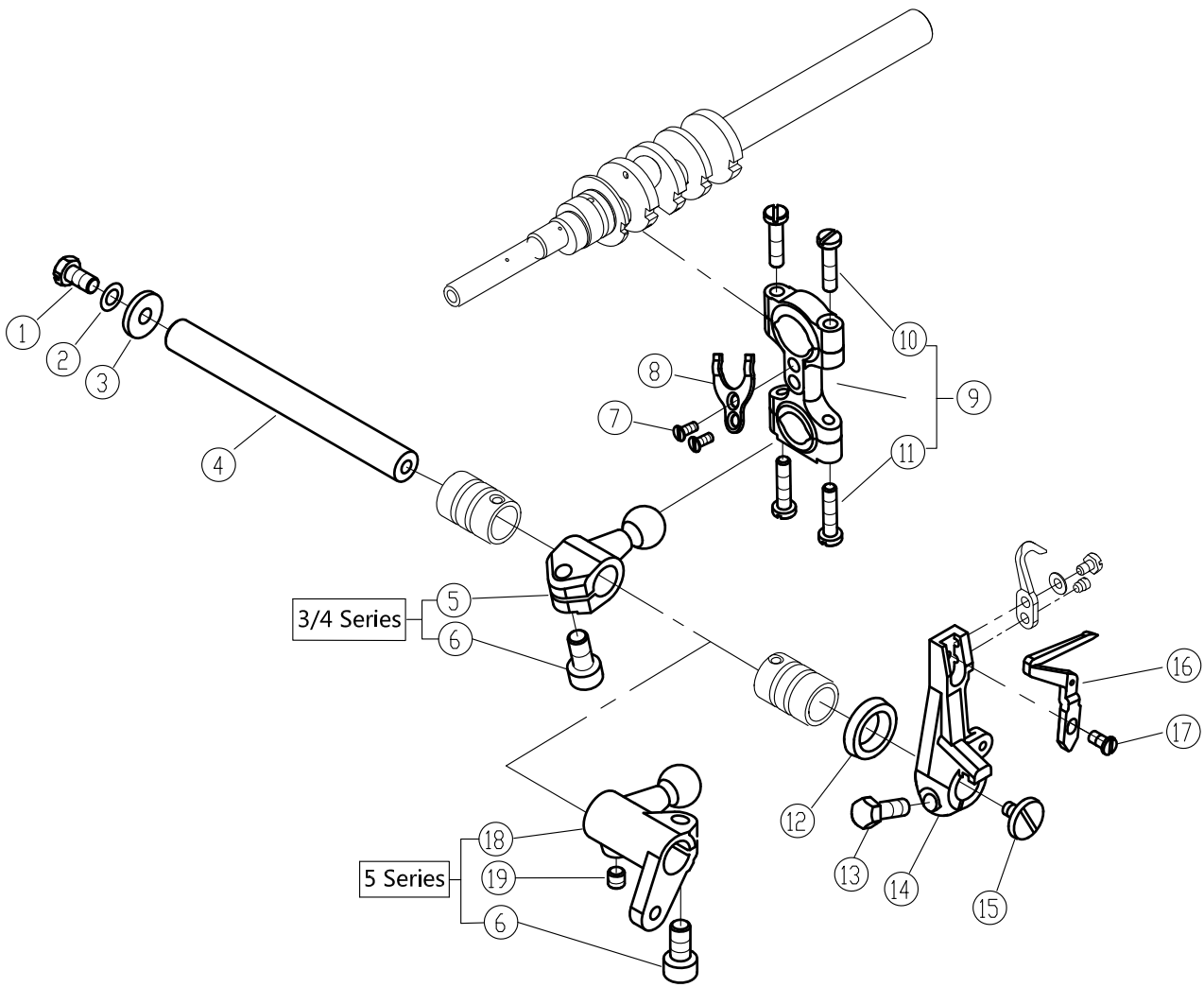
十一. 针杆部件(3) Needle Drive Mechanism(3)

序号 NO.	公司件号 Part NO.	名称	Description	数量 (Number)		
				三线 three-thread	四线 four-thread	五线 five-thread
1	207S17006	螺钉M4×7.5	Screw	2	2	2
2	xxxxxxxx	针板	Needle Plate	1	1	1
3	207S11007	螺钉M4×7.5	Screw	5	5	5
4	20709003	针板垫块(后)	Bracket	1	1	1
5	20709002	针板垫块(前)	Bracket	1	1	1
6	20622003	防震垫	Cushion Rubber	2	2	2
7	20701033	托架	Bracket	0	0	1
8	207S11003	螺钉M4×10	Screw	0	0	2
9	xxxxxxxx	机针护针(后)	Needle Guard	0	0	1
10	S01027	螺钉M3×6	Screw	0	0	4
11	xxxxxxxx	链弯针护针	Needle Guard	0	0	1
12	20128019	W07垫圈	Spring	1	1	1
13	xxxxxxxx	机针护针(前)	Needle Guard	1	1	1
14	207S12005	螺钉	Screw	1	1	1
15	207S11002	螺钉M3	Screw	1	1	1
16	W03004	垫圈3	Spring	1	1	1
17	xxxxxxxx	护针(后)	Needle Guard	1	1	1



十二、上弯针部件/Upper Looper Drive Mechanism

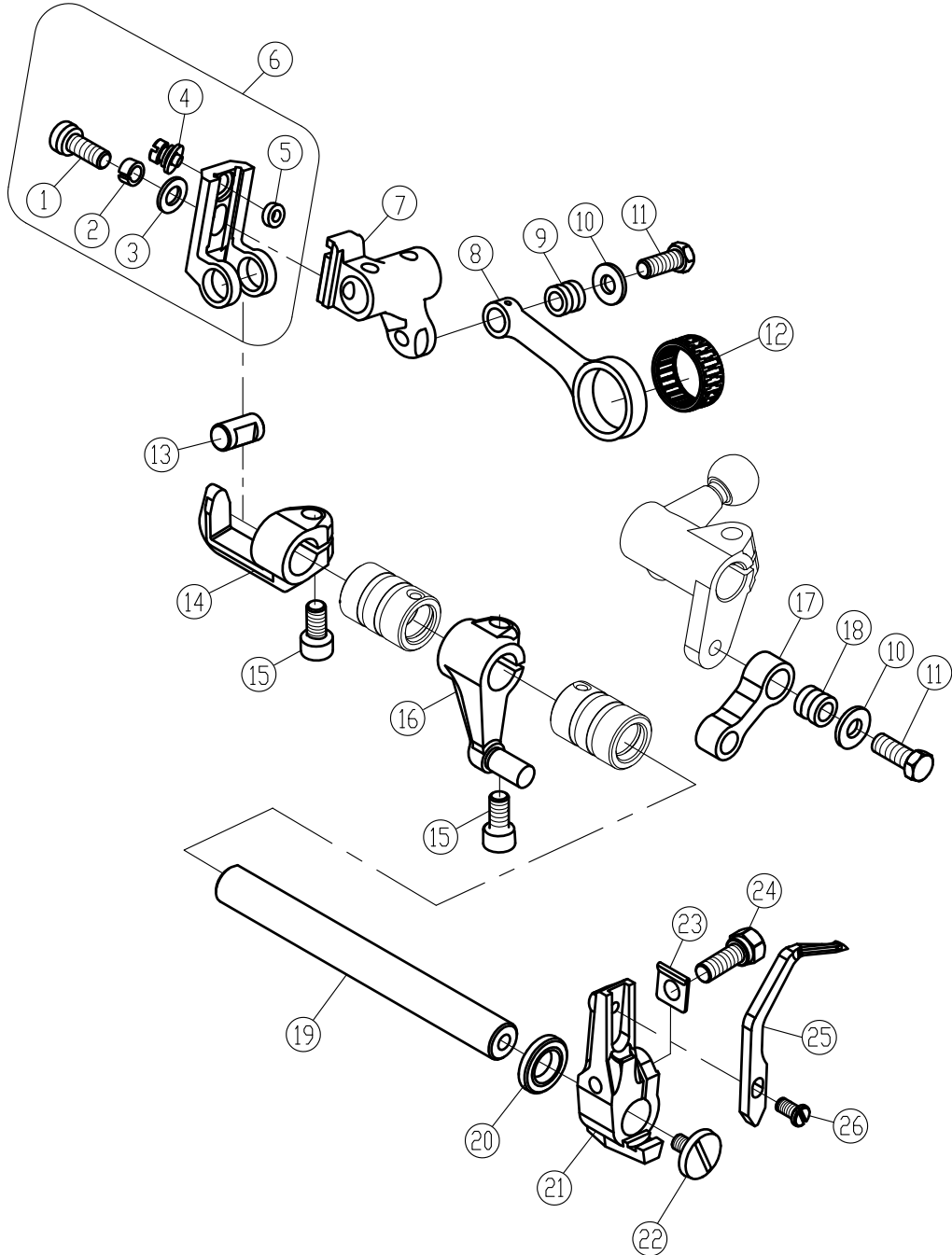
序号 NO.	公司件号 Part NO.	名称	Description	数量 (Number)		
				三线 three-thread	四线 four-thread	五线 five-thread
1	207S11004	螺钉M5×9.5	Screw	1	1	1
2	W02001	上弯针垫圈	Spring Washer	1	1	1
3	20628006	垫圈	Washer	1	1	1
4	20702004	下弯针轴	Shaft	1	1	1
5	20708007	衬套A	Spacer	1	0	1
6	20708006	衬套	Spacer	0	1	0
7	20703060	衬套	Spacer	0	1	1
8	400036	上弯针球曲柄	Crank	1	0	0
9	400037	上弯针球曲柄	Crank	0	1	1
10	S05018	螺钉M6×0.75×12	Screw	1	1	1
11	S02007	螺钉	Screw	2	2	2
12	20712066	连杆垫片	Washer	1	1	1
13	400043	弯针连杆	Connection	1	1	1
14	207S11016	螺钉M4×16	Screw	2	2	2
15	207S11005	螺钉M4×17.5	Screw	2	2	2
16	20622019	油封	Oil Seal	1	1	1
17	207S11043	螺钉	Screw	1	1	1
18	20705003	连杆	Lever	1	1	1
19	207S14010	螺钉M3×4	Screw	1	1	1
20	20523005	JK788油线	Oil Weak	1	1	1
21	20726004	曲柄销	Pin Assy.	1	1	1
22	207S11025	螺钉M3.5×6.7	Screw	1	1	1
23	2070400500	上弯针滑杆组件	Upper Looper Holder Assy	1	1	1
24	2070403600	上弯针滑杆组件	Upper Looper Holder Assy	0	1	1
25	20704005	上弯针滑杆	Upper Looper Slider	1	1	1
26	20709004	上弯针滑块	Upper Looper Slider	1	1	1
27	20623005	上弯针滑杆套油毡	Felt	1	1	1
28	xxxxxxx	上弯针	Upper Looper	1	1	1
29	207S17004	螺钉M2.5×6	Screw	1	1	1
30	207S11027	螺钉M2.5×8	Screw	1	1	1
31	400040	盖板	Cover	1	1	1
32	207S11026	螺钉M6×16	Screw	2	2	2
33	20701051	上弯针滑块座	Upper Looper Bracket	1	1	1
34	20701088	上弯针滑块座	Upper Looper Bracket	0	1	1
35	20123021	JK795油线	Oil Wick	1	1	1
36	20723005	吸油棉	Felt	1	1	1
37	207S11020	螺钉M3×4	Screw	1	1	1
38	20712017	压板	Bracket	1	1	1



十三、下弯针部件/Lower Looper Drive Mechanism

序号 NO.	公司件号 Part NO.	名称	Description	数量 (Number)		
				三线 three-thread	四线 four-thread	五线 five-thread
1	207S11004	螺钉M4×10	Screw	1	1	1
2	W02001	上弯针垫圈	Spring Washer	1	1	1
3	20628006	垫圈	Washer	1	1	1
4	20702004	下弯针轴	Shaft	1	1	1
5	400329	下弯针球曲柄	Crank	1	1	0
6	S05018	螺钉M6×0.75×12	Screw	1	1	1
7	S02007	螺钉	Screw	2	2	2
8	20712066	连杆垫片	Washer	1	1	1
9	400043	弯针连杆	Connection	1	1	1
10	207S11016	螺钉M4×16	Screw	2	2	2
11	207S11005	螺钉M4×17.5	Screw	2	2	2
12	20622019	油封	Oil Seal	1	1	1
13	207S20004	螺钉M5×13	Screw	1	1	1
14	20704007	下弯针架	Lower Looper Holder	1	1	1
15	207S15001	螺钉M4×7	Screw	1	1	1
16	xxxxxxxx	下弯针	Lower Looper	1	1	1
17	207S11028	螺钉M3.5×6.5	Screw	1	1	1
18	400388	下弯针球曲柄	Crank	0	0	1
19	207S11042	螺钉M5×5	Screw	0	0	1

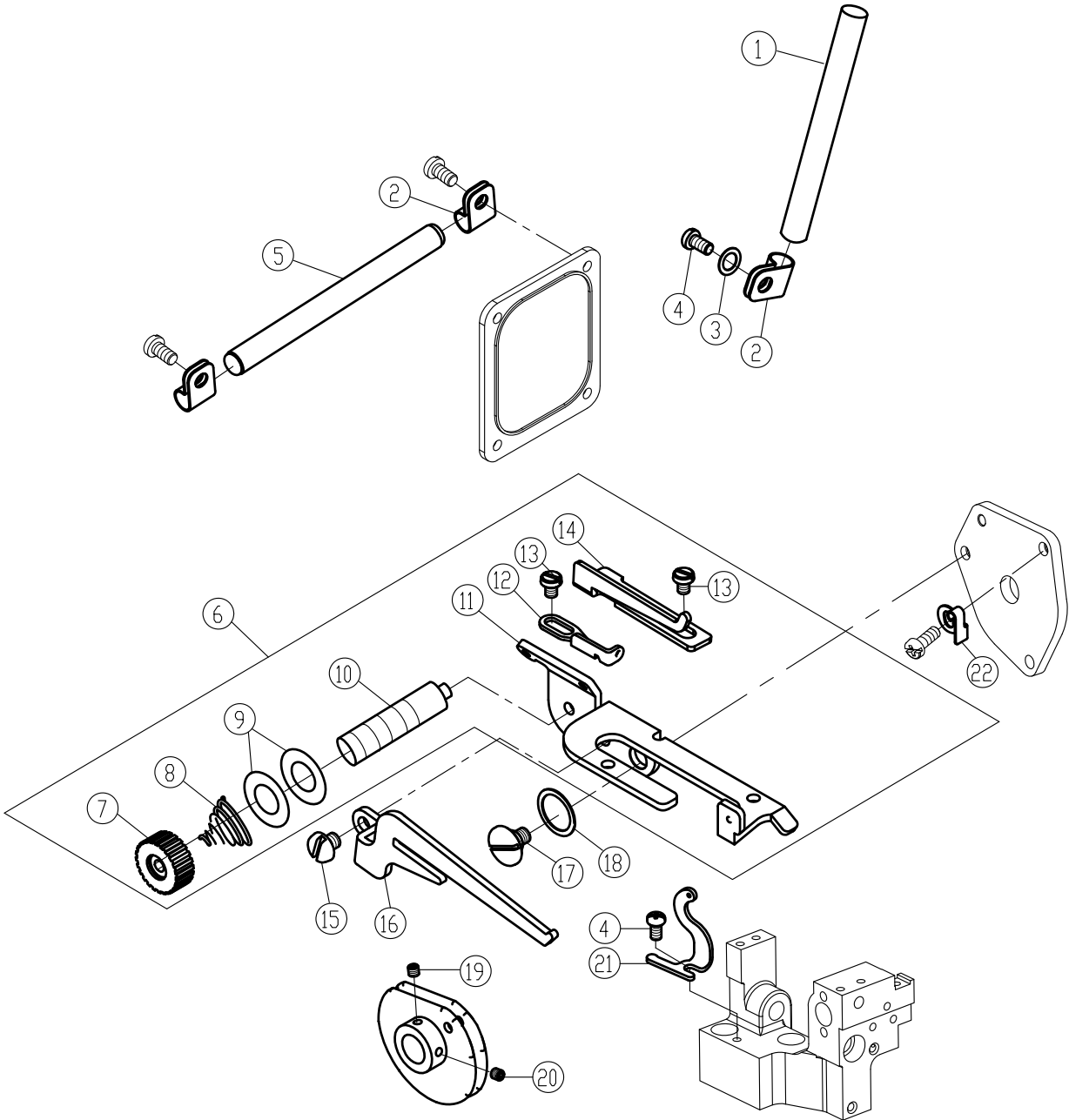
5 Series



十四、二重环弯针机构(1)/Chainstitch Looper Drive Mechanism(1)

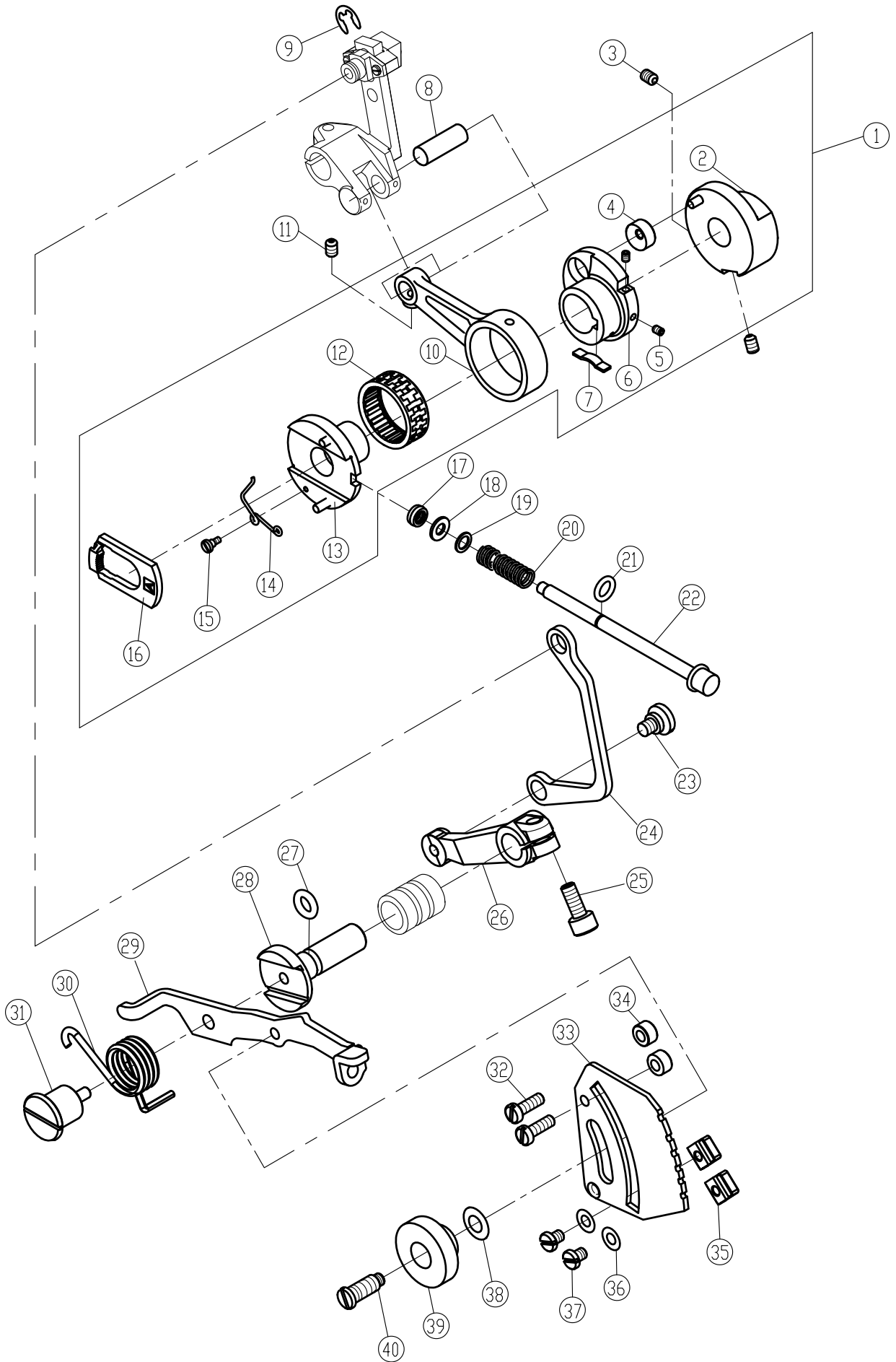
序号 NO.	公司件号 Part NO.	名称	Description	数量 (Number)		
				三线 three-thread	四线 four-thread	五线 five-thread
1	207S13009	螺钉M5×12	Screw	0	0	1
2	W02001	上弯针垫圈	Spring Washer	0	0	1
3	20628010	送布曲柄销垫圈	Washer	0	0	1
4	20710008	偏心销	Pin	0	0	1
5	001027	O型圈4×1.3	O Ring	0	0	1
6	401031	滑块座	Slider	0	0	1
7	401030	曲柄	Crank	0	0	1
8	20705006	连杆	Connection	0	0	1
9	20703016	连杆套	Bushing	0	0	1
10	30228008	垫圈	Washer	0	0	2
11	207S11044	螺钉M5×13	Screw	0	0	2
12	B08002	滚针k22×18×8	Needle Bearing	0	0	1
13	20626017	五线销	Shaft	0	0	1
14	20701034	支架	Holder	0	0	1
15	S05018	螺钉M6×0.75×12	Screw	0	0	2
16	20704015	链线曲柄	Crank	0	0	1
17	20705009	连杆	Link	0	0	1
18	20703013	连杆套	Bushing	0	0	1
19	20702018	链线轴	Shaft	0	0	1
20	3052201700	油封	Oil Seal	0	0	1
21	20701035	弯针架	Looper Holder	0	0	1
22	207S15001	螺钉M4×7	Screw	0	0	1
23	20728002	垫片	Spacer	0	0	1
24	207S20004	螺钉M5×13	Screw	0	0	1
25	xxxxxxx	弯针	Double Chainstith Loop	0	0	1
26	207S11028	螺钉M3.5×6.5	Screw	0	0	1

5 Series



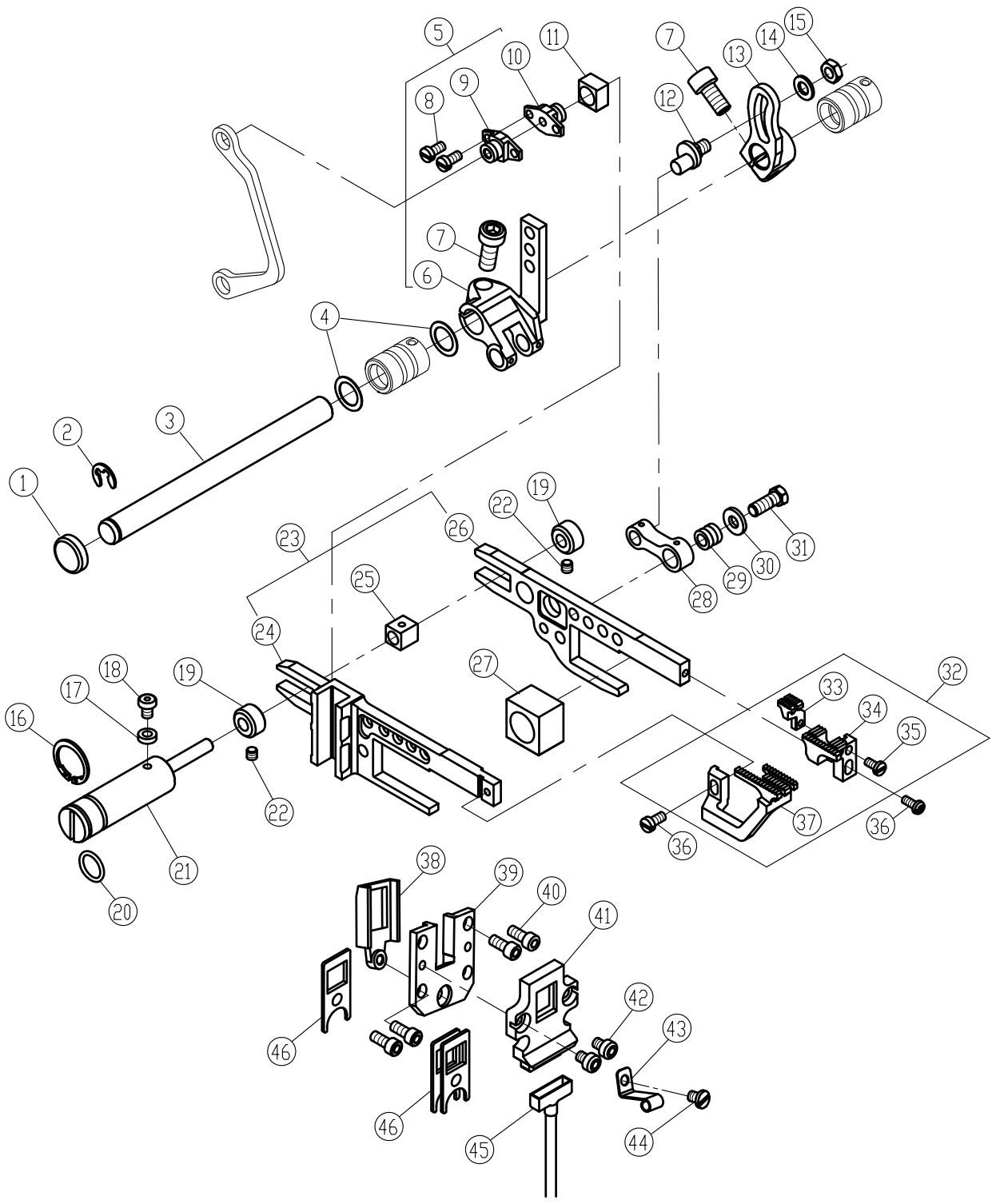
十五、二重环弯针机构(2)/Chainstitch Looper Drive Mechanism(2)

序号 NO.	公司件号 Part NO.	名称	Description	数量 (Number)		
				三线 three-thread	四线 four-thread	五线 five-thread
1	20713039	过线管	Thread Guide	0	0	1
2	20629003	过线管夹	Holder	0	0	3
3	20628012	垫片	Washer	0	0	1
4	207S11007	螺钉M4×7.5	Screw	0	0	2
5	20713040	过线管	Thread Guide	0	0	1
6	2061205700	打线凸轮组件	Looper Thread Takeup A	0	0	1
7	206S16004	紧线手柄	Knob	0	0	1
8	30127016	弹簧	Spring	0	0	1
9	20612055	夹线片	Tension Disc	0	0	2
10	206S30015	螺钉M3	Screw	0	0	1
11	20612057	打线凸轮架	Looper Thread Takeup A	0	0	1
12	20613017	过线	Thread Guide	0	0	1
13	207S11020	螺钉M3×4	Screw	0	0	2
14	20629004	过线	Thread Guide	0	0	1
15	S01031	螺钉M4×7.5	Screw	0	0	1
16	20612056	分线板	Thread Guide	0	0	1
17	207S20002	螺钉M4	Screw	0	0	1
18	20128015	垫圈	Washer	0	0	1
19	20612058	打线凸轮	Looper Thread Takeup	0	0	1
20	207S14009	螺钉M3×3	Screw	0	0	2
21	20713026	过线	Tread Guide	0	0	1
22	20629005	卡簧	Spring	0	0	1



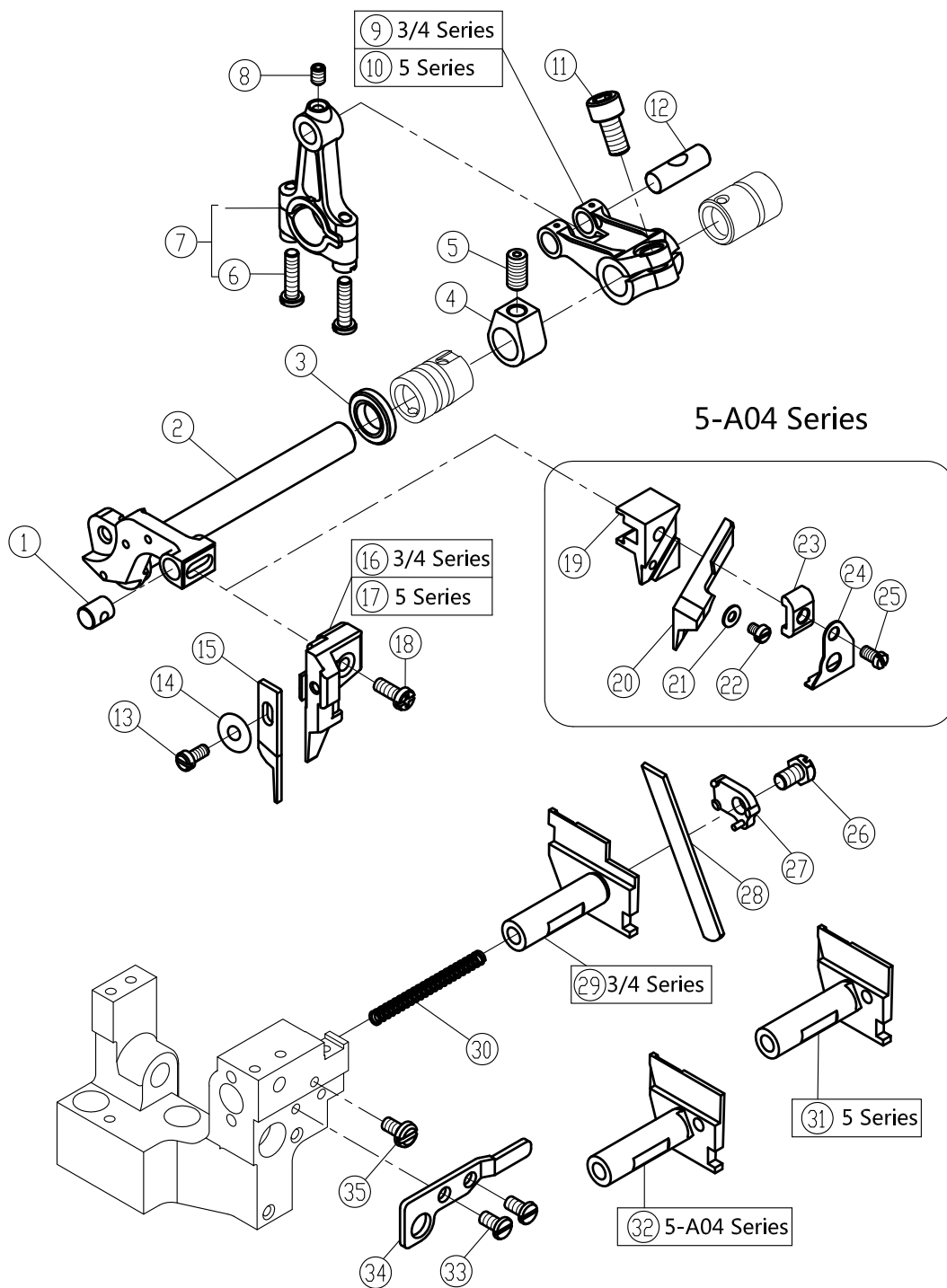
十六、差动调节机构/Feed Mechanism

序号 NO.	公司件号 Part NO.	名称	Description	数量 (Number)		
				三线 three-thread	四线 four-thread	五线 five-thread
1	2070500400	送料连杆组件	Connection	1	1	1
2	20710003	送布偏心	Regulator	1	1	1
3	207S11042	螺钉M5×5	Screw	2	2	2
4	20710002	小偏心轮	Feed Eccent	1	1	1
5	207S14003	螺钉M3×4	Screw	2	2	2
6	20710001	偏心轮	Eccent	1	1	1
7	20712018	弹簧板	Flat Spring	1	1	1
8	20626003	曲柄销	Pin	1	1	1
9	20629006	卡簧	Ring	1	1	1
10	20705004	送料连杆	Connection	1	1	1
11	207S14007	螺钉M4×6	Screw	1	1	1
12	B08001	滚针轴承26×22×10	Needle Bearing	1	1	1
13	20710004	开针偏心凸轮	Eccent Assembly	1	1	1
14	20727003	弹簧	Spring	1	1	1
15	207S20005	螺钉M2	Screw	1	1	1
16	20709006	滑块	Ratchet	1	1	1
17	20722005	油封	Gaket	1	1	1
18	001027	O型圈4×1.3	O Ring	1	1	1
19	20728001	垫片	Washer	1	1	1
20	20727004	弹簧	Spring	1	1	1
21	H05018	卡簧3.5	Ring	1	1	1
22	20702005	开针掀扭轴	Push Button	1	1	1
23	207S20006	螺钉M5×5	Screw	1	1	1
24	20705005	差动连片	Link	1	1	1
25	S05018	螺钉M6×0.75×12	Screw	1	1	1
26	20704008	差动曲柄	Lever	1	1	1
27	20622010	差动轴O型圈	O Ring	1	1	1
28	20702006	差动轴	Shaft	1	1	1
29	20712019	差动杆	Lever	1	1	1
30	20627006	差动扳手定位簧	Spring	1	1	1
31	207S20007	螺钉	Screw	1	1	1
32	207S11008	螺钉M4×12	Screw	2	2	2
33	20712033	调节板	Regulator Plate	1	1	1
34	20711007	垫圈	Spacer	2	2	2
35	207S16002	螺母	Stopper	2	2	2
36	30228009	垫片	Washer	2	2	2
37	207S11011	螺钉M4×5	Screw	2	2	2
38	20728003	蝶形垫片	Spring Washer	1	1	1
39	2071600100	调节螺母	Nut	1	1	1
40	207S30001	螺钉	Screw	1	1	1



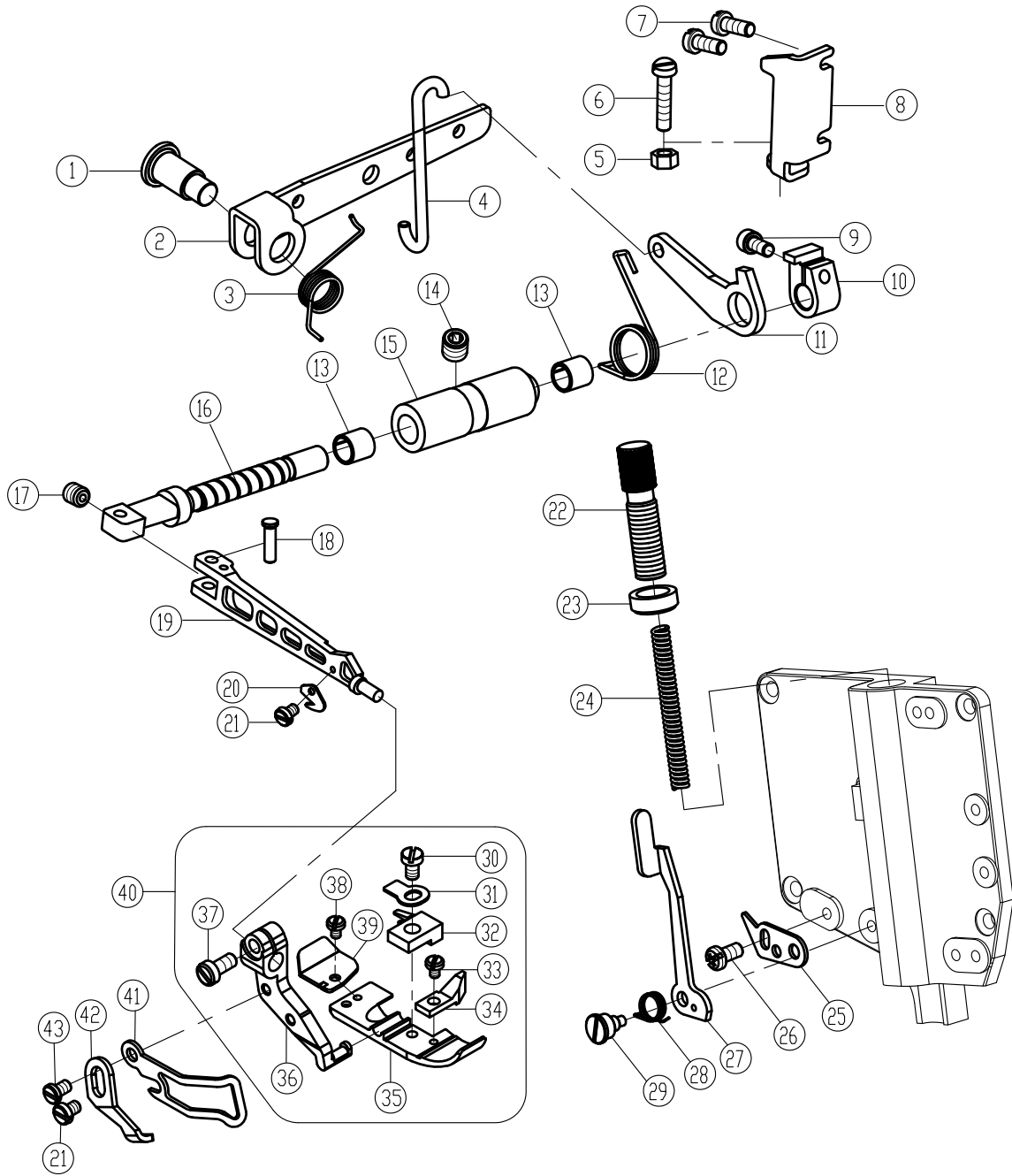
十七、送布机构/Feed Mechanism

序号 NO.	公司件号 Part NO.	名称	Description	数量 (Number)		
				三线 three-thread	四线 four-thread	五线 five-thread
1	20628023	送布轴油封	Plug	1	1	1
2	H05009	开口挡圈7	Ring	1	1	1
3	20702008	送布轴	Shaft	1	1	1
4	20628011	送料轴垫圈	Washer	2	2	2
5	2070400900	送料曲柄组件	Crank	1	1	1
6	20704010	送料曲柄	Crank	1	1	1
7	S05018	螺钉M6×0.75×12	Screw	2	2	2
8	207S11029	螺钉M3×6	Screw	2	2	2
9	20709008	曲柄	Crank	1	1	1
10	20709009	曲柄销	Crank Pin	1	1	1
11	20709010	滑块	Block	1	1	1
12	20710005	偏心销	Pin	1	1	1
13	20704011	送料曲柄	Crank	1	1	1
14	20628010	送布曲柄销垫圈	Washer	1	1	1
15	N01004	螺母M5	Nut	1	1	1
16	20729002	卡簧	Ring	1	1	1
17	20722006	O型圈	Gsket	1	1	1
18	207S13001	螺钉	Screw	1	1	1
19	20708008	挡圈	Collar	2	2	2
20	001026	O型圈11.5×1.5	O Ring	1	1	1
21	20710006	偏心轴	Pin	1	1	1
22	207S14001	螺钉M4×4	Screw	2	2	2
23	2070600100	牙架组件	Feed Bar Assy.	1	1	1
24	20706002	差动齿牙架	Differential Feed Bar	1	1	1
25	20709011	滑柱	Block	1	1	1
26	20706001	主送齿牙架	Main Feed Bar	1	1	1
27	20709012	滑块	Block	1	1	1
28	20705008	连杆	Link	1	1	1
29	20703016	连杆套	Bushing	1	1	1
30	30228008	垫圈	Washer	1	1	1
31	207S11044	螺钉M5×13	Screw	1	1	1
32	xxxxxxx	牙齿组件	Main Feed Dog Complete	1	1	1
33	xxxxxxx	辅助齿	Auxiliary	1	1	1
34	xxxxxxx	主送齿	Main Feed Dog	1	1	1
35	207S11039	螺钉M3×6	Screw	1	1	1
36	S01029	螺钉M3.5×7.5	Screw	2	2	2
37	xxxxxxx	差动齿	Differential Feed Dog	1	1	1
38	20701049	牙架挡油板	Feed Bar Oil Seal	1	1	1
39	20701048	牙架挡块(一体)	Feed Bar	1	1	1
40	207S13006	螺钉M4×9	Screw	4	4	4
41	20701013	挡油板	Feed Bar Oil Seal	1	1	1
42	207S13007	螺钉M4×5	Screw	2	2	2
43	20712062	油管夹	Clamp	1	1	1
44	S01031	螺钉M4×4.7	Screw	1	1	1
45	20721009	牙架吸油管	Tube	1	1	1
46	20722007	牙架油封	Oil Seal	2	2	2



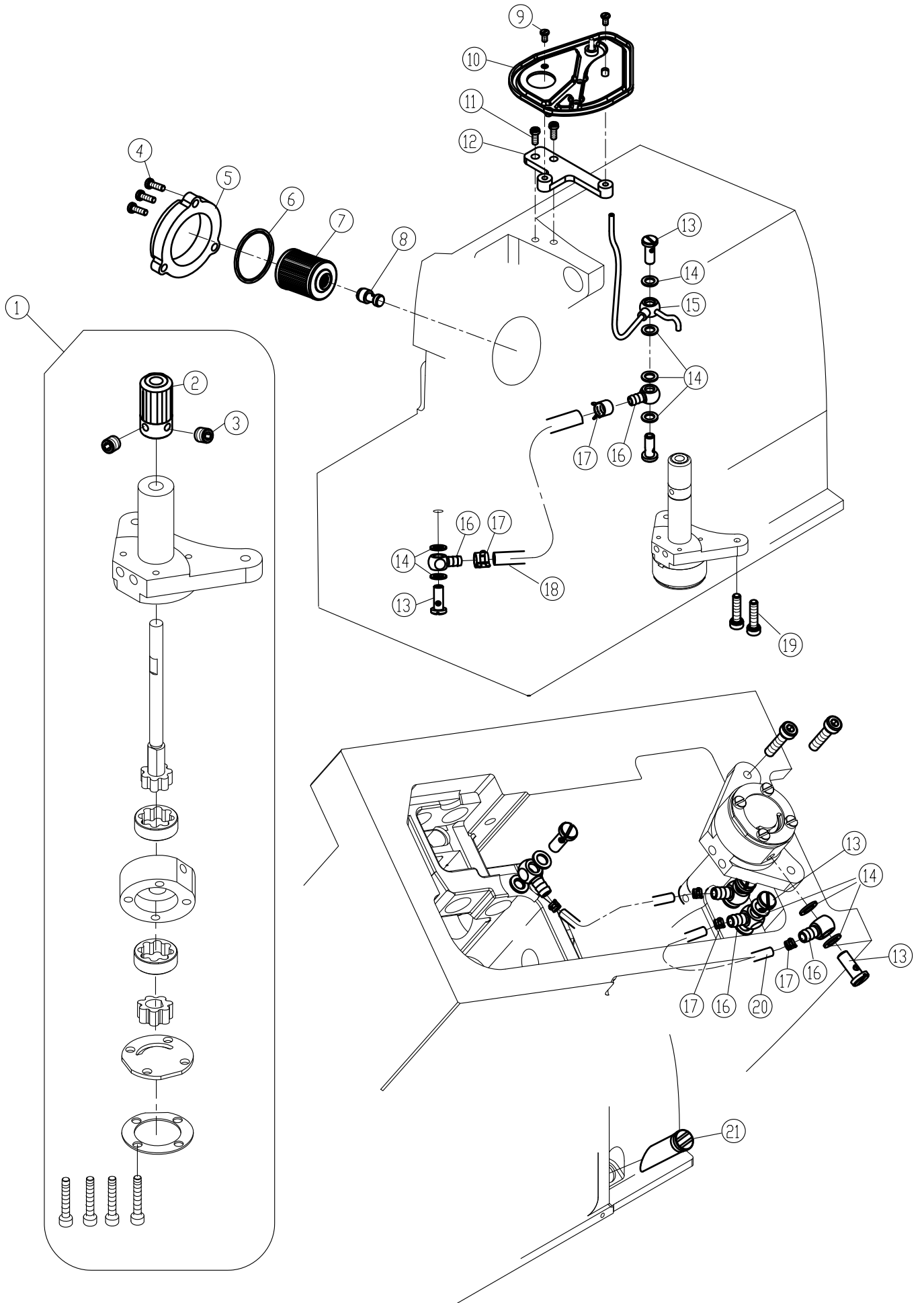
十八、剪布机构/Knife Drive Mechanism

序号 NO.	公司件号 Part NO.	名称	Description	数量 (Number)		
				三线 three-thread	四线 four-thread	五线 five-thread
1	20726005	导向销	Pin	1	1	1
2	20702009	上刀架轴	Upper Knife Lever	1	1	1
3	3052201700	油封	Oil Seal	1	1	1
4	30208001	挡块	Collar	2	2	2
5	S10003	螺钉M6×0.75×12	Screw	2	2	2
6	207S11016	螺钉M4×16	Screw	2	2	2
7	400041	上刀连杆	Connection	1	1	1
8	207S14013	螺钉M4×6	Screw	1	1	1
9	20704012	上刀曲柄	Crank	1	1	0
10	20704030	上刀曲柄	Crank	0	0	1
11	S05018	螺钉M6×0.75×12	Screw	1	1	1
12	20626003	曲柄销	Pin	1	1	1
13	S01029	螺钉M3.5×7.5	Screw	1	1	1
14	20128020	垫片	Washer	1	1	1
15	xxxxxxxx	上刀	Upper Knife	1	1	1
16	20701014	上刀座	Upper Knife Clamp	1	1	0
17	20701036	上刀座	Upper Knife Clamp	0	0	1
18	207S11012	螺钉M4×10	Screw	1	1	1
19	20701050	绞刀安装板	Angled Upper Knife Clamp	0	0	1
20	xxxxxxxx	切刀	Angled Upper	0	0	1
21	W01011	垫圈	Washer	0	0	1
22	207S11020	螺钉M3×4	Screw	0	0	1
23	20712053	上刀凹角切	Angled Upper Knife Gib	0	0	1
24	20712051	挡板	Waste Guard	0	0	1
25	S11025	螺钉M4×20	Screw	0	0	1
26	207S12004	螺钉M5×8	Screw	1	1	1
27	20709013	压板	Lower Knife Clamp	1	1	1
28	xxxxxxxx	下刀	Lower Knife	1	1	1
29	20701015	下刀架	Lower Knife Holder	1	1	0
30	20727006	弹簧	Spring	1	1	1
31	20701037	下刀架	Lower Knife Holder	0	0	1
32	20701052	下刀架	Upper Knife Clamp	0	0	1
33	207S11019	螺钉M4×7.5	Screw	2	2	2
34	20712021	挡板	Lower Knife Holder Guard	1	1	1
35	S01010	螺钉M4×7.5	Screw	1	1	1



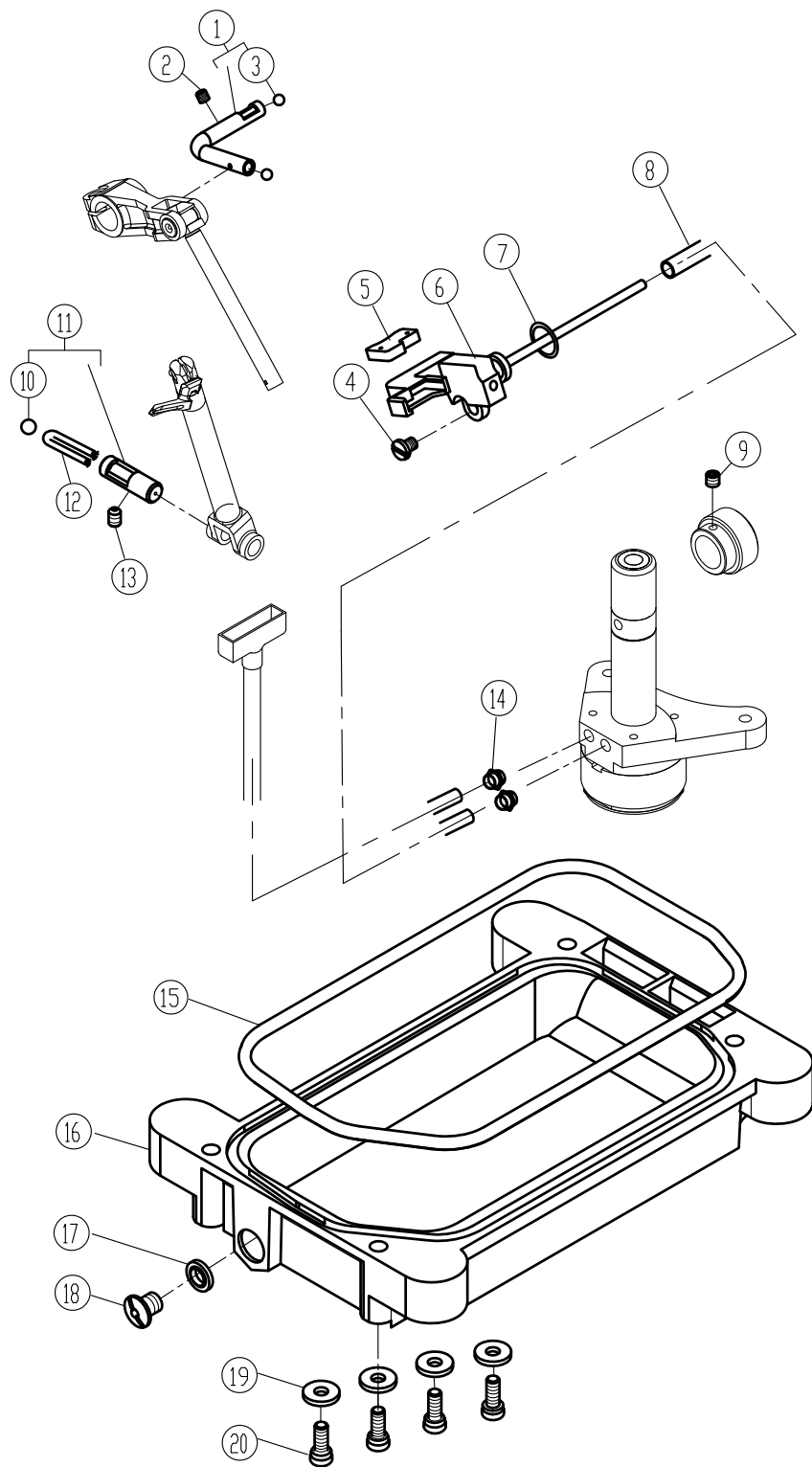
十九、抬压脚机构/Presser Foot Mechanism

序号 NO.	公司件号 Part NO.	名称	Description	数量 (Number)		
				三线 three-thread	四线 four-thread	五线 five-thread
1	207S20008	抬压脚螺钉M10	Screw	1	1	1
2	20712023	抬压脚杠杆	Lever	1	1	1
3	20727007	扭簧	Spring	1	1	1
4	20712025	弯钩	Link	1	1	1
5	N01004	螺母M5	Nut	1	1	1
6	207S11031	螺钉M5×24	Screw	1	1	1
7	207S11012	螺钉M4×10	Screw	2	2	2
8	20712024	角板	Stopper	1	1	1
9	S05017	螺钉M6×0.75×13.5	Screw	1	1	1
10	20608004	抬压脚复位圈	Collar	1	1	1
11	20612030	抬压脚小杠杆	Lever	1	1	1
12	20727013	小杠杆扭簧	Spring	1	1	1
13	20703031	滑动轴承	Bearing	2	2	2
14	207S11042	螺钉M5×5	Screw	1	1	1
15	20703030	压脚轴套筒	Bushing	1	1	1
16	20702010	压脚轴	Shaft	1	1	1
17	S10011	螺钉M4×0.5×4	Screw	1	1	1
18	20626016	压脚臂连杆销	Pin	1	1	1
19	20701016	压脚臂	Presser Arm	1	1	1
20	20619005	割线刀	Thread Cutter	1	1	1
21	207S11020	螺钉3×4	Screw	2	2	2
22	20702014	调节螺柱	Adjusting Screw	1	1	1
23	207S16003	螺母	Nut	1	1	1
24	20719054	压簧	Spring	1	1	1
25	20712030	挡板	Stopper	1	1	1
26	207S11007	螺钉M4×7.5	Screw	1	1	1
27	20612034	压杆扳手	Lever	1	1	1
28	20627010	压杆扳手扭簧	Spring	1	1	1
29	207S20009	螺钉	Screw	1	1	1
30	207S11036	螺钉	Screw	0	1	0
31	20407210	弹簧片	Spring	0	1	0
32	20616004	压脚爪	Paw Pressur	0	1	0
33	206S10004	螺钉	Screw	0	1	0
34	20701023	辅助压脚	Auxiliary Presser Foot	0	1	0
35	20616022	压脚底板	Baseboard	0	1	0
36	20712023	压脚架	Rack	0	1	0
37	207S11030	螺钉	Screw	0	1	0
38	207S11034	螺钉	Screw	0	1	0
39	20616016	压脚辅助板	Auxiliary Plank	0	1	0
40	2071600200	压脚组件	Presser Foot Assy	0	1	0
41	20712026	压脚护手	Finger Guard	0	1	0
42	20712048	板簧	Stopper	0	1	0
43	207S11009	螺钉3×4.5	Screw	0	1	0



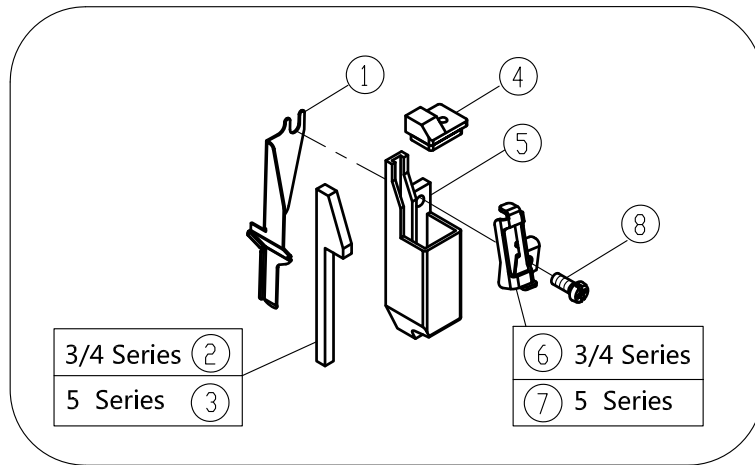
二十、供油机构(1)/Lubrication Mechanism(1)

序号 NO.	公司件号 Part NO.	名称	Description	数量 (Number)		
				三线 three-thread	四线 four-thread	五线 five-thread
1	2072000200	油泵组件	Pump	1	1	1
2	20725002	蜗轮	Worm Wheel	1	1	1
3	207S14006	螺钉M5×5	Screw	2	2	2
4	207S11008	螺钉M4×12	Screw	3	3	3
5	300140	滤油器盖	Oil clearer	1	1	1
6	001010	密封圈	Seal ring	1	1	1
7	20136001	滤油器	Filter Element	1	1	1
8	20736001	滤油器接头	Oil cljerner joint	1	1	1
9	207S11019	螺钉M4×7.5	Screw	2	2	2
10	20712110	接油盘	Oil guard	1	1	1
11	207S11012	螺钉M4×10	Screw	2	2	2
12	20701098	接油盘固定块	oil-receiver fixing bl	1	1	1
13	206S30009	过油螺钉	Joint Screw	4	4	4
14	20122033	垫片	Washer	10	10	10
15	20721013	上喷油器	Upper screem	1	1	1
16	20636001	油管接头	Joint	4	4	4
17	20729005	油管卡簧	Clamp	4	4	4
18	12921003	油管Φ5×Φ8	Tube	0.15m	0.15m	0.15m
19	207S13008	螺钉M4×16	Screw	2	2	2
20	12921003	油管Φ5×Φ8	Tube	0.19m	0.19m	0.19m
21	20437009	油标	Oil sight	1	1	1



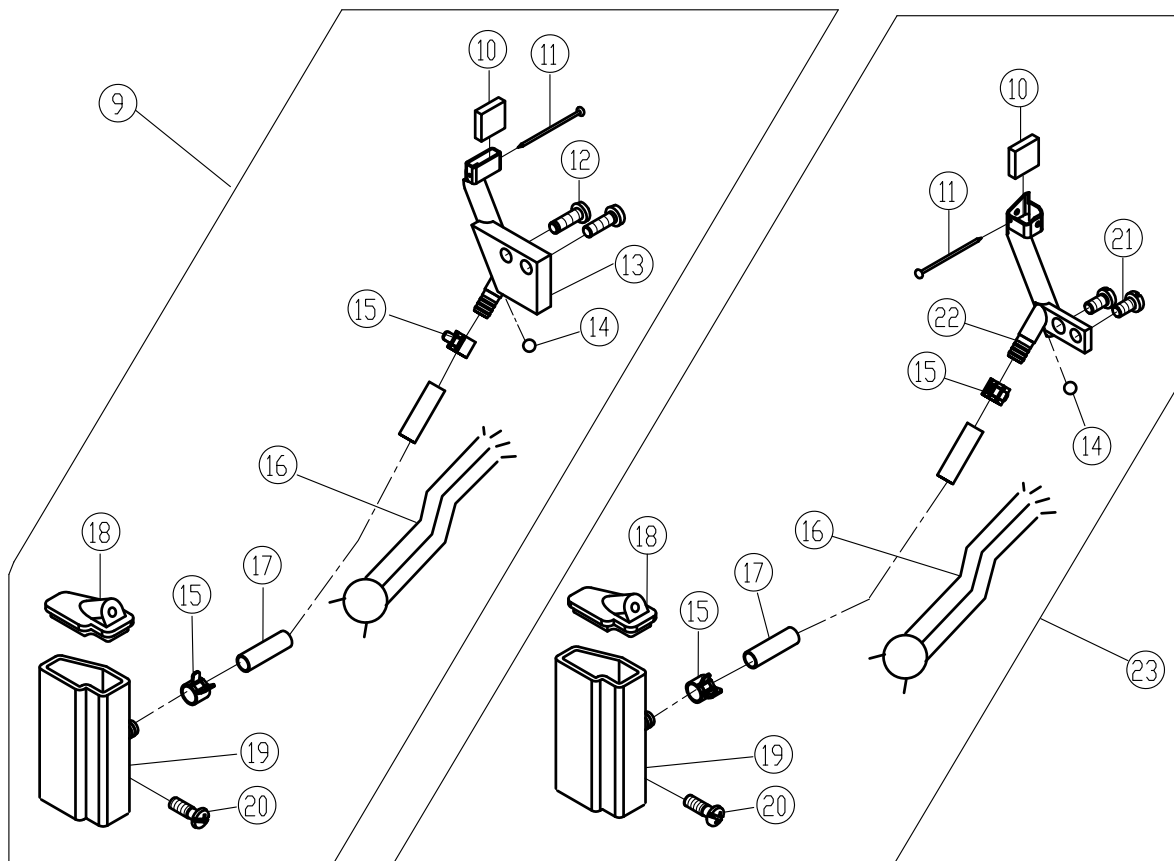
二十一、供油机构(2)/Lubrication Mechanism(2)

序号 NO.	公司件号 Part NO.	名称	Description	数量 (Number)		
				三线 three-thread	四线 four-thread	五线 five-thread
1	20721010	过油管	Pipe	1	1	1
2	207S14001	螺钉M4×4	Screw	1	1	1
3	20709016	橡胶塞	Rubber plug	2	2	2
4	207S11011	螺钉M4×5	Screw	1	1	1
5	20723007	油毡	Felt	1	1	1
6	2071203800	吸油嘴组件	Joint	1	1	1
7	20622010	差动轴O型圈	O Ring	1	1	1
8	20721011	油管Φ2×Φ4	Tube	1	1	1
9	207S14006	螺钉M5×5	Screw	1	1	1
10	20709015	滚珠	Rubber plug	1	1	1
12	20123021	JK795油线	Oil Wick	1	1	1
11	20626007	上弯针滑杆过油器	Pipe Assy.	1	1	1
13	207S14007	螺钉M4×4	Screw	1	1	1
14	20521009	铜油嘴	Joint	2	2	2
15	20722008	油盘垫	Gasket	1	1	1
16	20701026	油盘	Oil Reservoir	1	1	1
17	20528014	油盘放油垫圈	Washer	1	1	1
18	207S13002	放油螺钉	Screw	1	1	1
19	20628018	垫片	Washer	4	4	4
20	207S13009	螺钉M5×12	Bolt	4	4	4



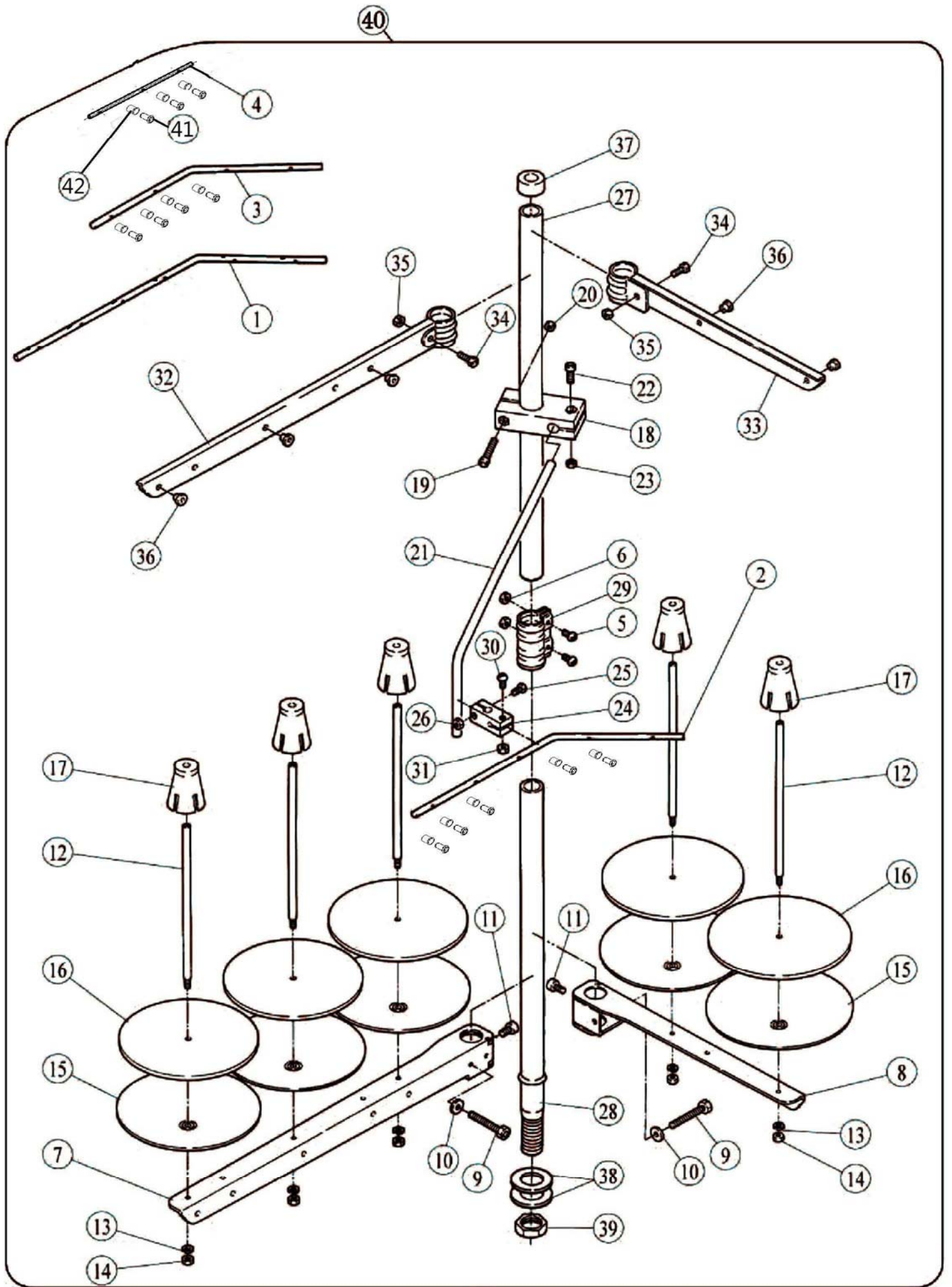
3/4 Series

5 Series



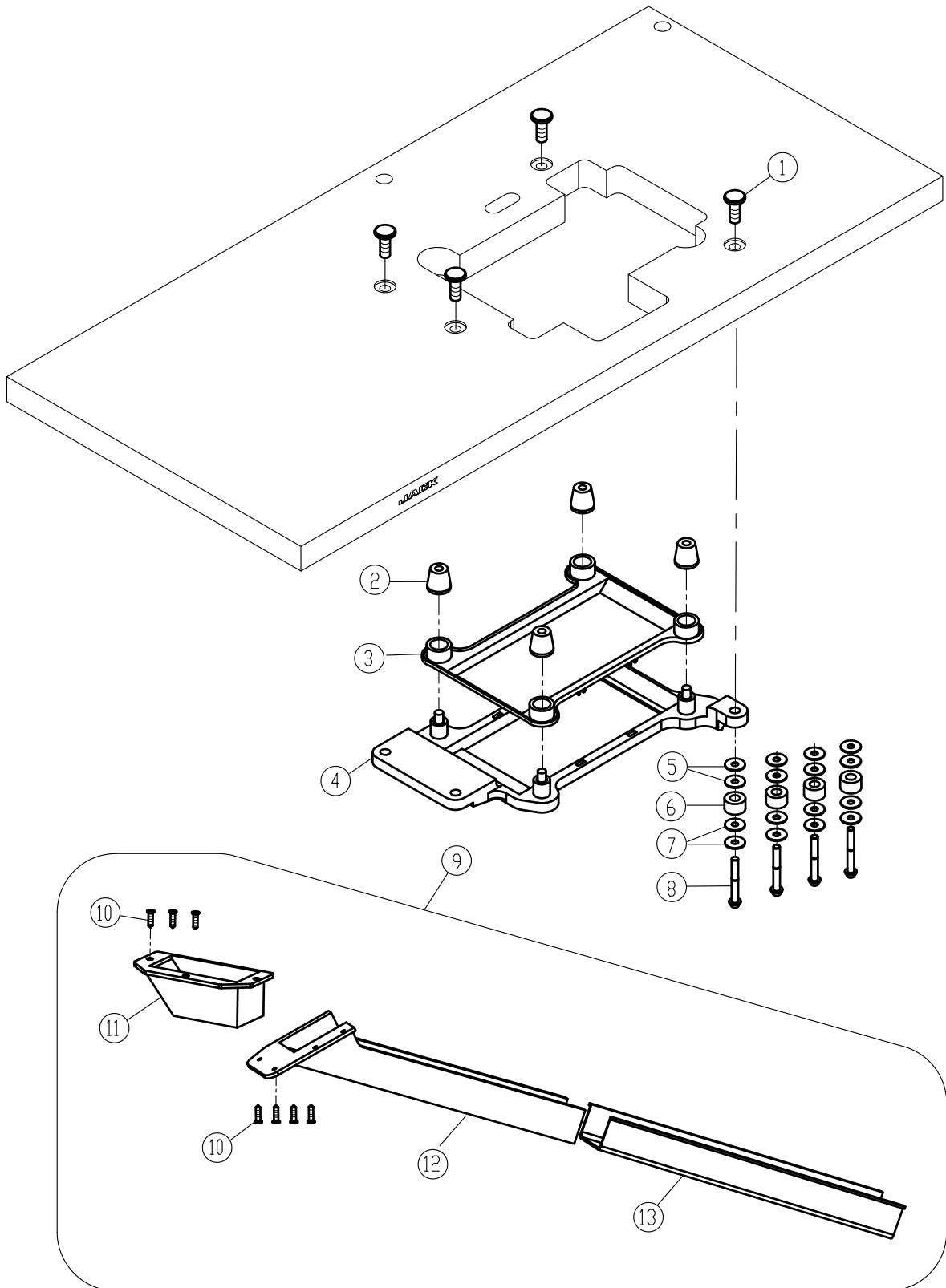
二十二、HR装置机构部件/H. R. Device

序号 NO.	公司件号 Part NO.	名称	Description	数量 (Number)		
				三线 three-thread	四线 four-thread	五线 five-thread
1	20712042	挡油板	Cover	1	1	1
2	20723008	毛毡	Felt	1	1	0
3	20719051	毛毡	Felt	0	0	1
4	20711015	上硅油盒盖	Cover	1	1	1
5	20711014	上硅油盒	Silicone Oil Reservoir	1	1	1
6	20712040	过线架	Thread Guide	1	1	0
7	20713019	过线架	Thread Guide	0	0	1
8	207S11012	螺钉M4×10	Screw	1	1	1
9	2071101600	下硅油盒组件	Silicone Oil Reservoir	1	1	0
10	20723009	油毡	Oil Felt	1	1	1
11	/	别针	Pin	1	1	1
12	207S11008	螺钉M4×10	Screw	2	2	0
13	20701027	针线冷却器	Needle Thread Lubricator	1	1	0
14	20709014	滚珠	Plug	1	1	1
15	20712041	油管夹	Clamp	2	2	2
16	40123013	油线	Oil Wick	1	1	1
17	40121002	油管	Tube	1	1	1
18	20711017	下硅油盒盖	Cover	1	1	1
19	20711016	下硅油盒	Silicone Oil Reservoir	1	1	1
20	207S30003	组合螺钉M4×12	Screw	1	1	1
21	207S11007	螺钉M4×7.5	Screw	0	0	2
22	20701038	针线冷却器	Needle Thread Lubricator	0	0	1
23	2070103000	下硅油盒组件A	Silicone Oil Reservoir	0	0	1



二十三、线架部件/Thread Stand

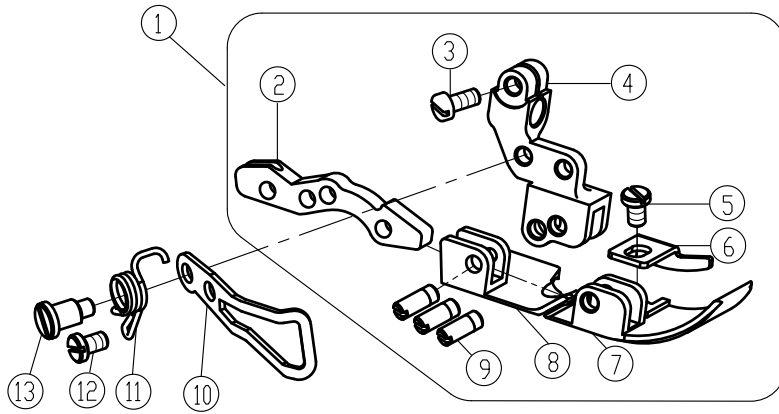
序号 NO.	公司件号 Part NO.	名称	Description	数量 (Number)		
				三线 three-thread	四线 four-thread	五线 five-thread
1	20631020	过线棒	Thread guide(6-spool)	0	0	1 (六线)
2	20131036	过线棒	Thread Guide (5-spool)	0	0	1
3	20131014	过线棒	Thread Guide (4-spool)	0	1	0
4	20131050	过线棒	Thread Guide (3-spool)	1	0	0
5	206S16008	螺钉	Screw	2	2	2
6	N01004	螺母M5	Nut	2	2	2
7	30101028	长线架	Thread Hanger	1	0	1
8	20631026	短线架	Thread Hanger	0	2	1
9	206S30025	螺钉	Screw	1	2	2
10	20631032	垫片	Washer	1	2	2
11	206S30024	螺钉	Screw	1	2	2
12	20131006	线棒	Spool Pin	3	4	5
13	20631031	垫片	Spring Washer	3	4	5
14	206S16006	螺母	Nut	3	4	5
15	20631025	线托盘	Spool Seat Disc	3	4	5
16	20631024	托盘垫	Spool Mat	3	4	5
17	20131008	线固定套	Spool Cushion	3	4	5
18	30111008	棒架	Holder	1	1	1
19	206S30027	螺钉	Screw	1	1	1
20	206S16006	螺母	Nut	1	1	1
21	30113018	导线棒	Thread Guide Arm	1	1	1
22	206S30023	螺钉	Screw	1	1	1
23	206S16006	螺母	Nut	1	1	1
24	20631017	固定器	Holder	1	1	1
25	206S30023	螺钉	Screw	1	1	1
26	206S16006	螺母	Nut	1	1	1
27	30102034	线架上棒	Column Pipe (upper)	1	1	1
28	30102032	线架下棒	Column Pipe (lower)	1	1	1
29	30129005	锁紧卡固	Joint	1	1	1
30	206S30023	螺钉	Screw	1	1	1
31	206S16006	螺母	Nut	1	1	1
32	30101030	长过线架	Thread Hanger	1	0	1
33	30101031	短过线架	Thread Hanger	0	2	1
34	206S16008	螺钉	Screw	2	2	2
35	N01004	螺母M5	Nut	2	2	2
36	30103045	过线套	Thread Eyelet	3	4	5
37	30122027	棒帽	Rod Cap	1	1	1
38	30128062	垫片	Washer	2	2	2
39	206S16007	螺母	Nut	1	1	1
40	2063101400	线架组件 (三线)	Thread Hanger Assy.	1	0	0
	2053102900	线架组件 (四线)	Thread Hanger Assy.	0	1	0
	3013102700	线架组件 (五线)	Thread Hanger Assy.	0	0	1
	2053103100	线架组件 (六线)	Thread Hanger Assy.	0	0	1 (六线)
41	20131090	过线管	Thread guide pipe	3	4	5
42	20131112	胶套	Plastic Cover	3	4	5
43	20128038	垫片	Washer	2	2	2



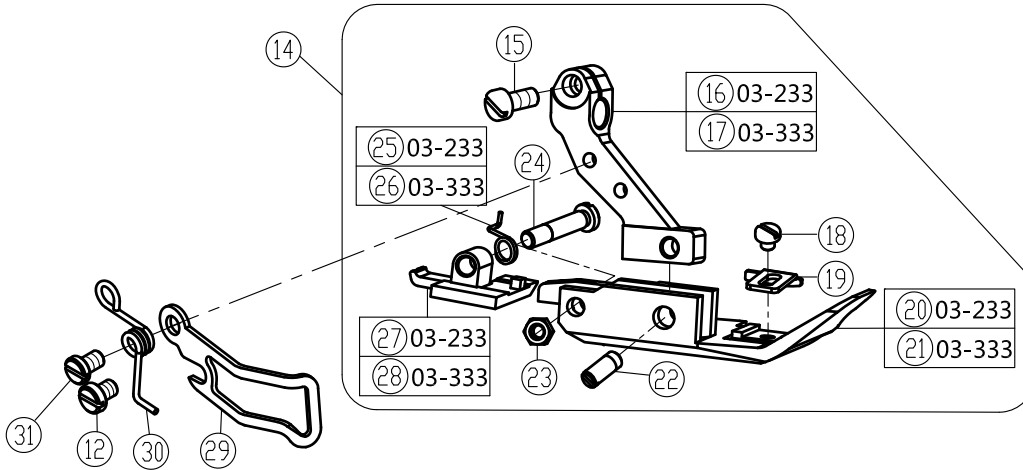
二十四、托盘部件/Part For Semi-Submerged Installation

序号 NO.	公司件号 Part NO.	名称	Description	数量 (Number)		
				三线 three-thread	四线 four-thread	五线 five-thread
1	20131028	托盘固定螺母	Nut	4	4	4
2	20722009	托盘防震连接垫	Cushion Rubber	4	4	4
3	20711052	托盘接油盘	oil pan	1	1	1
4	20711054	托盘架	Rest Board	1	1	1
5	30122031	减震垫圈	Spring Washer	8	8	8
6	20131030	防震套	Washer	4	4	4
7	20131029	大垫圈	Spacer	8	8	8
8	20131027	托盘内六角螺钉	Screw	4	4	4
9	20131058	落料斗组件	Waste Chute Assy.	1	1	1
10	20131034	排料槽座螺钉	Screw	7	7	7
11	20131031	排料槽座	Screw	1	1	1
12	20131032	排料槽 I	Waste Chute	1	1	1
13	20131033	排料槽 II	Waste Chute	1	1	1

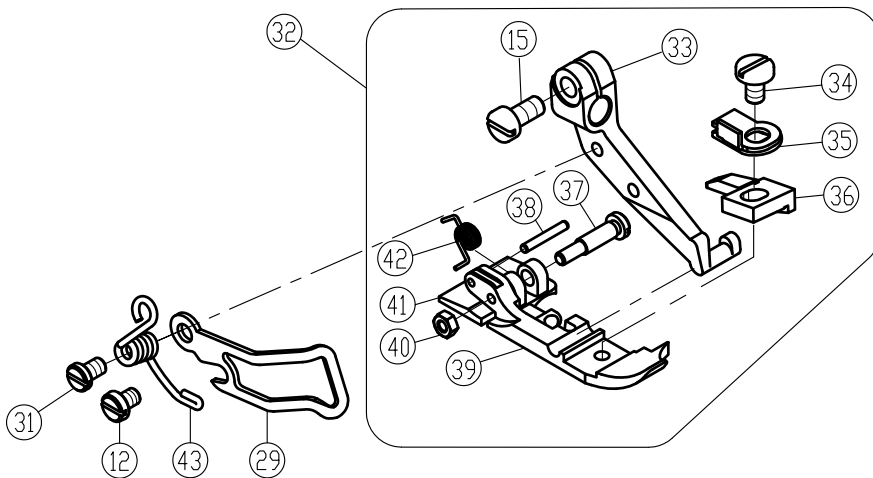
5-A04 Series



5-03 Series

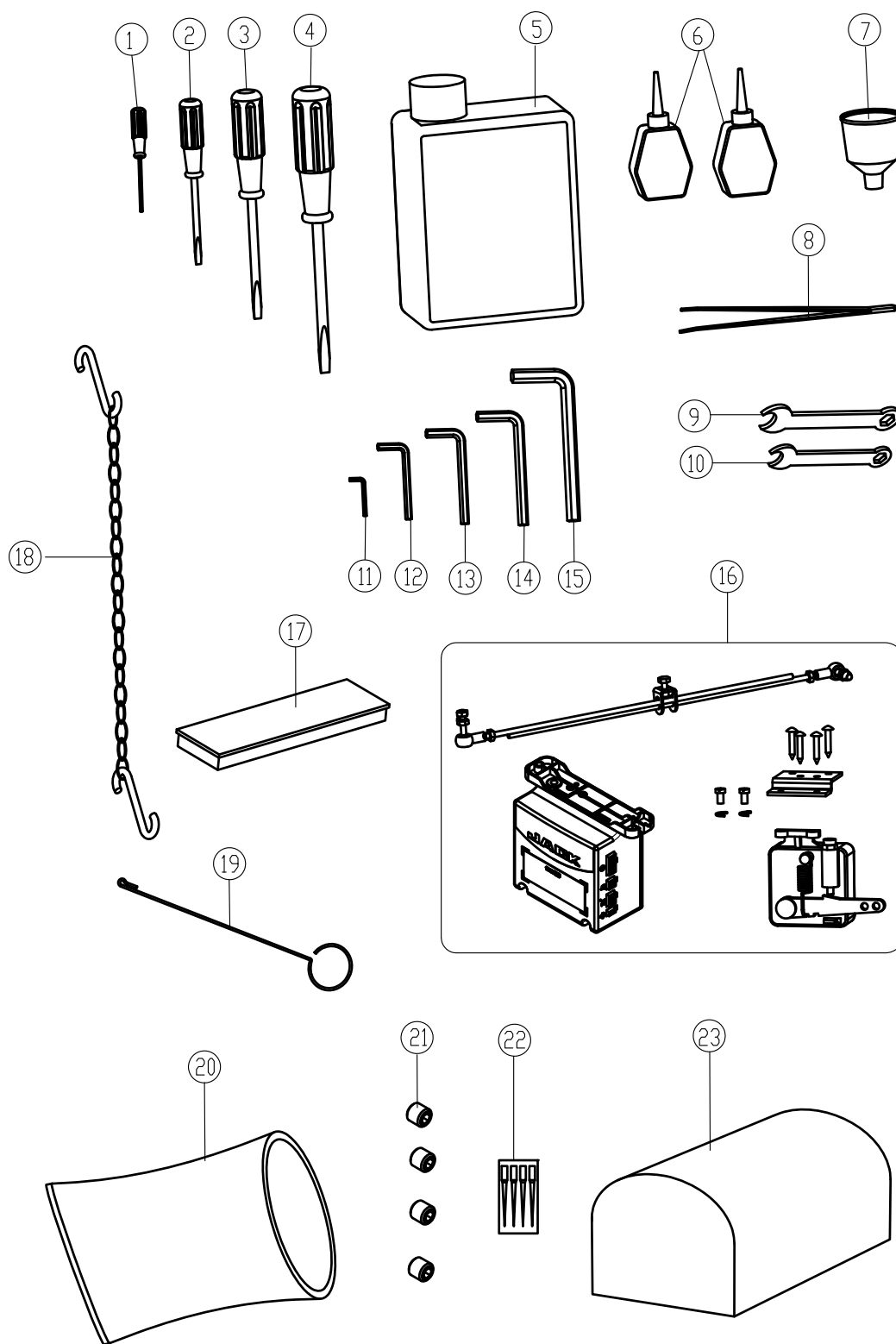


5-A02 Series



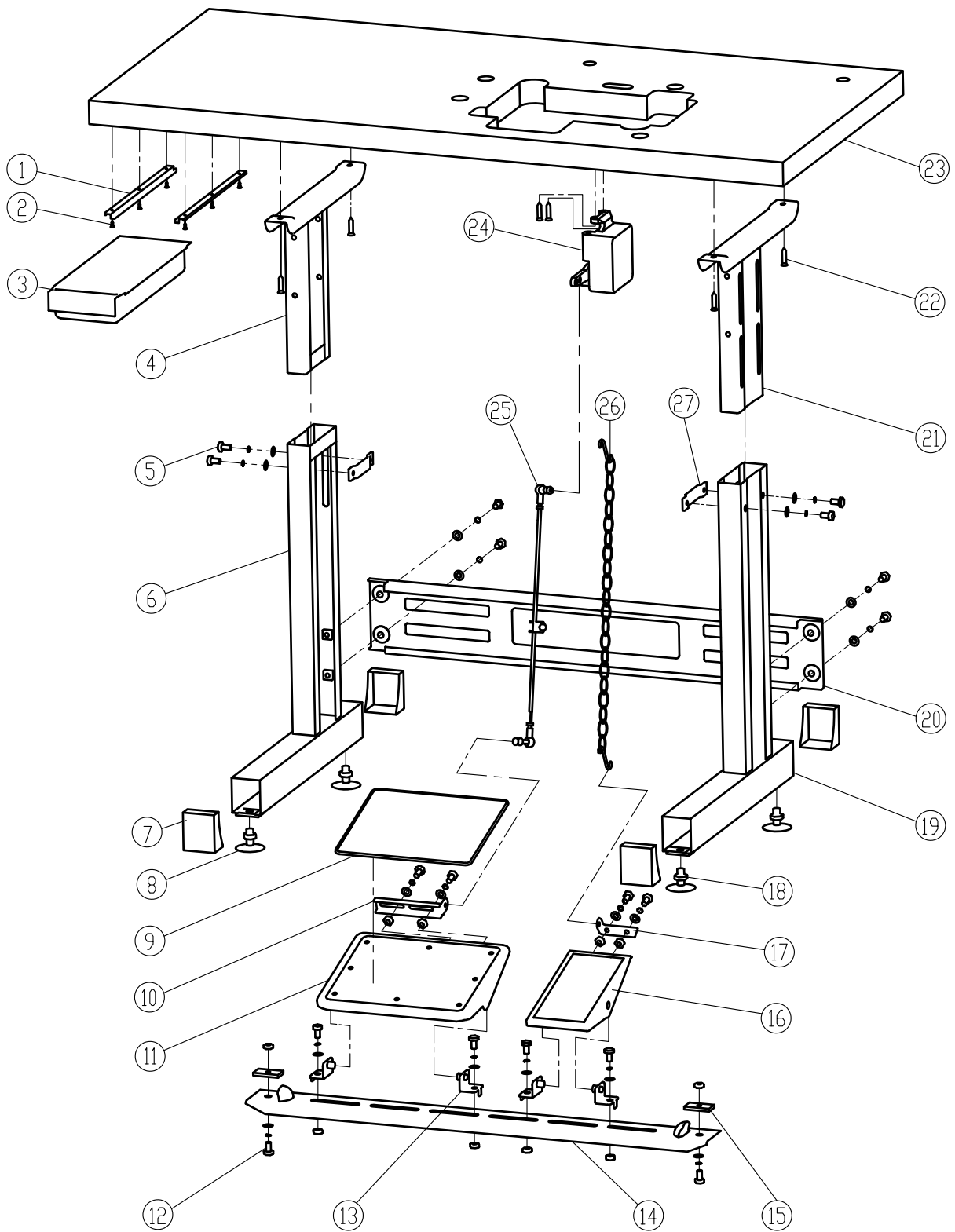
二十五、专用零件/Specific Parts

序号 NO.	公司件号 Part NO.	名称	Description	数量 (Number)		
				三线 three-thread	四线 four-thread	五线 five-thread
1	2061604000	压脚组件	Presser Foot Assy.	0	0	1
2	20616042	压脚连接件	Connection	0	0	1
3	S01029	螺钉M3.5×7.5	Screw	0	0	1
4	20616041	压脚架	Pin	0	0	1
5	207S11009	螺钉M3×4.5	Screw	0	0	1
6	20714051	护料压板	Fabric Guard	0	0	1
7	20701054	压脚底板	Baseboard	0	0	1
8	20701055	小压脚底板	Baseboard	0	0	1
9	208S20002	销	Pin	0	0	3
10	20712052	压脚挡片	Finger Guard	0	0	1
11	20719053	压脚弹簧	Spring	0	0	1
12	207S11020	螺钉	Screw	0	0	1
13	207S20010	轴位螺钉	Screw	0	0	1
14	xxxxxxx	压脚组件	Presser Foot Assy.	0	0	1
15	207S11038	螺钉	Screw	0	0	1
16	20716063	压脚架	Rack	0	0	1
17	20716100	压脚架	Rack	0	0	1
18	207S11034	螺钉	Screw	0	0	1
19	20716064	辅助压脚	Fabric Guard	0	0	1
20	20716061	压脚底板	Baseboard	0	0	1
21	20716065	压脚底板	Baseboard	0	0	1
22	207S20022	销	Pin	0	0	1
23	207S16011	螺母	Nut	0	0	1
24	207S20021	轴位螺钉	Screw	0	0	1
25	20727011	压脚弹簧	Spring	0	0	1
26	20727012	压脚弹簧	Spring	0	0	1
27	20716062	小压脚	Baseboard	0	0	1
28	20716066	小压脚	Baseboard	0	0	1
29	20712026	压脚护手	Finger Guard	0	0	1
30	20715057	压脚弹簧	Spring	0	0	1
31	207S11009	螺钉	Screw	0	0	1
32	20716050	压脚组件	Presser Foot Assy.	0	0	1
33	20716082	压脚架	Rack	0	0	1
34	207S16051	螺钉	Screw	0	0	1
35	20727015	压脚板簧	Plate Spring	0	0	1
36	20716081	压脚爪	Presser Foot	0	0	1
37	207S30005	轴位螺钉	Pin	0	0	1
38	P01025	销	Pin	0	0	1
39	20716079	压脚底板	Baseboard	0	0	1
40	207S16012	螺母	Nut	0	0	1
41	20716080	小压脚底板	Baseboard	0	0	1
42	20727014	弹簧	Spring	0	0	1
43	20727050	压脚弹簧	Spring	0	0	1



二十六、随机附件部分 Accessories Assemblies

序号 No.	公司件号Part No.	名称	Description	数量 (Number)		
				三线 Three-thread	四线 Four-thread	五线 Five-thread
1	20131044	直柄内六角螺丝刀	Hexagonal	1	1	1
2	10131004	螺丝刀 (小)	Screwdriver (S)	1	1	1
3	10131003	螺丝刀 (中)	screwdriver (M)	1	1	1
4	10131002	螺丝刀 (大)	screw driver (L)	1	1	1
5	20131037	油壶	Oil container	1	1	1
6	20131038	小油壶 (尖嘴)	Oil container	2	2	2
7	20131039	漏斗	Tundish	1	1	1
8	20131051	镊子 (JACK)	Tweezers	1	1	1
9	20131043	JK795-1908扳手	Wrench/8mm	1	1	1
10	20131042	JK795-1907扳手	Wrench/7mm	1	1	1
11	20131046	内六角扳手 (2mm)	Hexagonal	1	1	1
12	30131012	内六角扳手 (3mm)	Hexagonal	1	1	1
13	20131047	内六角扳手 (4mm)	Hexagonal	1	1	1
14	20131056	内六角扳手 (5mm)	Hexagonal	1	1	1
15	30131026	内六角扳手 (6mm)	Hexagonal	1	1	1
16	2073000500	DI 直驱专用部件	DI Special Parts	1	1	1
17	20131055	附件盒	Attachment box	1	1	1
18	20131054	JK795-1919脚踏板链	Chain	1	1	1
19	20131052	线勾	Needle threader	0	0	1
20	20131062	机头塑料袋	Plastic machine	1	1	1
21	S10005	螺钉	Screw	4	4	4
22	见标准零件表	机针	Needle	4	4	4
23	10131005	机头罩	Machine head cover	1	1	1




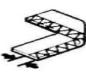






二十七、机架部件/machine stand table assy

序号 NO.	公司件号 Part NO.	名称	Description	数量 (Number)		
				三线 three-thread	四线 four-thread	五线 five-thread
1	20111052	零件导轨	Drawer slider	2	2	2
2	201S30001	螺钉	Screw	6	6	6
3	20111054	零件盒	Plastic drawer	1	1	1
4	20112110	机架上节左	Upper stand (left)	1	1	1
5	S15001	M8*11螺栓垫圈组合件	Bolt washer assembly M8*11	12	12	12
6	20112115	机架下节左	Lower stand (left)	1	1	1
7	20122052	支座护罩	Rubber cover	4	4	4
8	20112118	支座	Stand height adjusting base	4	4	4
9	20122056	脚踏板垫 (大)	Large pedal pad cushion	1	1	1
10	20112122	踏板连接件 (大)	Large pedal bracket	1	1	1
11	20112120	脚踏板 (大)	Large pedal pad	1	1	1
12	S15002	M6x11螺栓垫圈组合件	Bolt washer assembly M6*11	2	2	2
13	20112123	踏板固定件	Pedal bracket	4	4	4
14	20112133	踏板安装板	Lower bar	1	1	1
15	20112117	踏板安装板固定板	Bolt plate	2	2	2
16	20112124	脚踏板 (小)	Small pedal	1	1	1
17	20112126	踏板连接件 (小)	Small pedal bracket	1	1	1
18	N01008	螺母	Nut M8	10	10	10
19	20112131	机架下节右	Lower stand(right)	1	1	1
20	20112130	机架连接板	Front bar	1	1	1
21	20112132	机架上节右	Upper stand (right)	1	1	1
22	201S30002	螺钉	Screw	6	6	6
23	xxxxxxx	台板	Table	1	1	1
24	xxxxxxx	变速器	Transmission	1	1	1
25	2011111300	拉杆组件	Motor connecting rod	1	1	1
26	2013105400	脚踏板链组件	Pedal chain components	1	1	1
27	20112114	机架固定板	Bolt plate	2	2	2

JK-798D标准度量零件表







JK-798D GAUGE PARTS LIST









										
型号	间距		针板	送布 牙组件	压脚组件	上弯针	下弯针	连线弯针	针夹	机针
MACHINE TYPE /SPEC	GAUGE		NEEDLE PLATE	MAIN FEED DOG ASS	PRESSER FOOT ASS	UPPER LOOPER	LOWER LOOPER	CHAINSTITCH LOOPER	NEEDLE HOLDER	NEEDLE
	NG	SW								
JK-798D-3-02/233	—	4	20715005	2071400100	2071600500	20717004	20717006	—	20734001	DC×27#9
JK-798D-3-32R2/223	—	2	20715010	20714007 20714008	2071601000	20717004	20717006	—	20734001	DC×27#9
JK-798D-3-82/233	—	4	20715019	2071402000	2071601700	20717004	20717006	—	20734001	DC×27#9
JK-798D-3-12/233	—	4.5	20715009	20714006	2071600800	20717004	20717006	—	20734001	DC×27#9
JK-798D-4-83/323	2	4	20715020	20714702200	2071601800	20717004	20717005	—	20734002	DC×27#9
JK-798D-4-M03/333	2	4	20715002	2071400100	2071600200	20717004	20717005	—	20734002	DC×27#9

								
型号	间距	上刀	下刀	弯针护针		机针护针		
				前	后	前	后	
				OVERLOCK NEEDLE GUARO		CHAINSTITCH NEEDLE		
MACHINE TYPE /SPEC	GAUGE		UPPER KINIFE	LOWER KINIFE	FRONT	REAR	FRONT	REAR
	NG	SW						
JK-798D-3-02/233	—	4	20619002	20619003	—	—	20717001	20717002
JK-798D-3-32R2/223	—	2	20619002	20119002	—	—	20717001	20717002
JK-798D-3-82/233	—	4	20619002	20119002	—	—	20717001	20717002
JK-798D-3-12/233	—	4.5	20619002	20119002	—	—	20717001	20717002
JK-798D-4-83/323	2	4	20619002	20119002	—	—	20717001	20717002
JK-798D-4-M03/333	2	4	20619002	20619003	—	—	20717001	20717002

JK-798D标准度量零件表

JK-798D GAUGE PARTS LIST

										
型号	间距		针板	送布牙组件	压脚组件	上弯针	下弯针	连线弯针	针夹	机针
MACHINE TYPE /SPEC	GAUGE		NEEDLE PLATE	MAIN FEED DOG ASS	PRESSER FOOT ASS	UPPER LOOPER	LOWER LOOPER	CHAINSTITCH LOOPER	NEEDLE HOLDER	NEEDLE
	NG	SW								
JK-798D-4-M03/333/H/M	2	4	20715002	2071400100	2071600200	20717050	20700248	—	20734002	DC×27#9
JK-798D-5-03/233	5	5	20715016	2071401700	2071601500	20717004	20717006	20712047	20734004	DC×27#14
JK-798D-5-03/333	3	4	20715008	2071400400	2071600600	20717004	20717006	20712047	20734003	DC×27#14
JK-798D-5-A04/435	5	6	20715050	2071405200	2061604000	20717050	20717006	20717051	20719056	DC×27#19
JK-798D-5-02A/223	3	4	20715051	2071405400	20716050	20717004	20717006	20712047	20734003	DC×27#11

								
型号	间距		上刀	下刀	弯针护针		机针护针	
MACHINE TYPE /SPEC	GAUGE		UPPER KINIFE	LOWER KINIFE	前	后	前	后
	NG	SW			OVERLOCK NEEDLE GUARO		CHAINSTITCH NEEDLE	
					FRONT	REAR	FRONT	REAR
JK-798D-4-M03/333/H/M	2	4	20619002	20119002	—	—	20717001	20717002
JK-798D-5-03/233	5	5	20719002	20619003	20717008	20717002	20712045	20701032
JK-798D-5-03/333	3	4	20619002	20619003	20717008	20717002	20712045	20701032
JK-798D-5-A04/435	5	6	20719050	20701053	20717008	20717002	20712045	20701032
JK-798D-5-02A/223	3	4	20719001	20619003	20717008	20717002	20712045	20701032

产品标准代号: QB/T2504-2000
Standard code of the products: QB/T2504-2000



杰克缝纫机股份有限公司

JACK SEWING MACHINE CO.,LTD.

- 公司地址(Address of Company):
台州市椒江区机场南路15号
No. 15 Rd Airport South, Jiaojiang District Taizhou City, Zhejiang, P.R.C
- 国内销售部(Domestic Trade Department):
电话(TEL): 0086-576-88177788 88177789
传真(FAX): 0086-576-88177758
- 国贸部(International Trade Department):
电话(TEL): 0086-576-88177782 88177774
传真(FAX): 0086-576-88177787
- 零件部(Spare Part Department):
电话(TEL): 0086-576-88177798 88177785
传真(FAX): 0086-576-88177775
- 免费售后服务电话(Aftersale Service TEL): 4008876858
<http://www.chinajack.com>
- 资料如有更改, 恕不另行通知, 以实样为准。
You will be not informed if the file has been revised. Please set sample as standard.
- 2015.11