



JK-58420J/B 系列

产品使用说明书&产品零件图册

Manual book & parts book

JACK 杰克

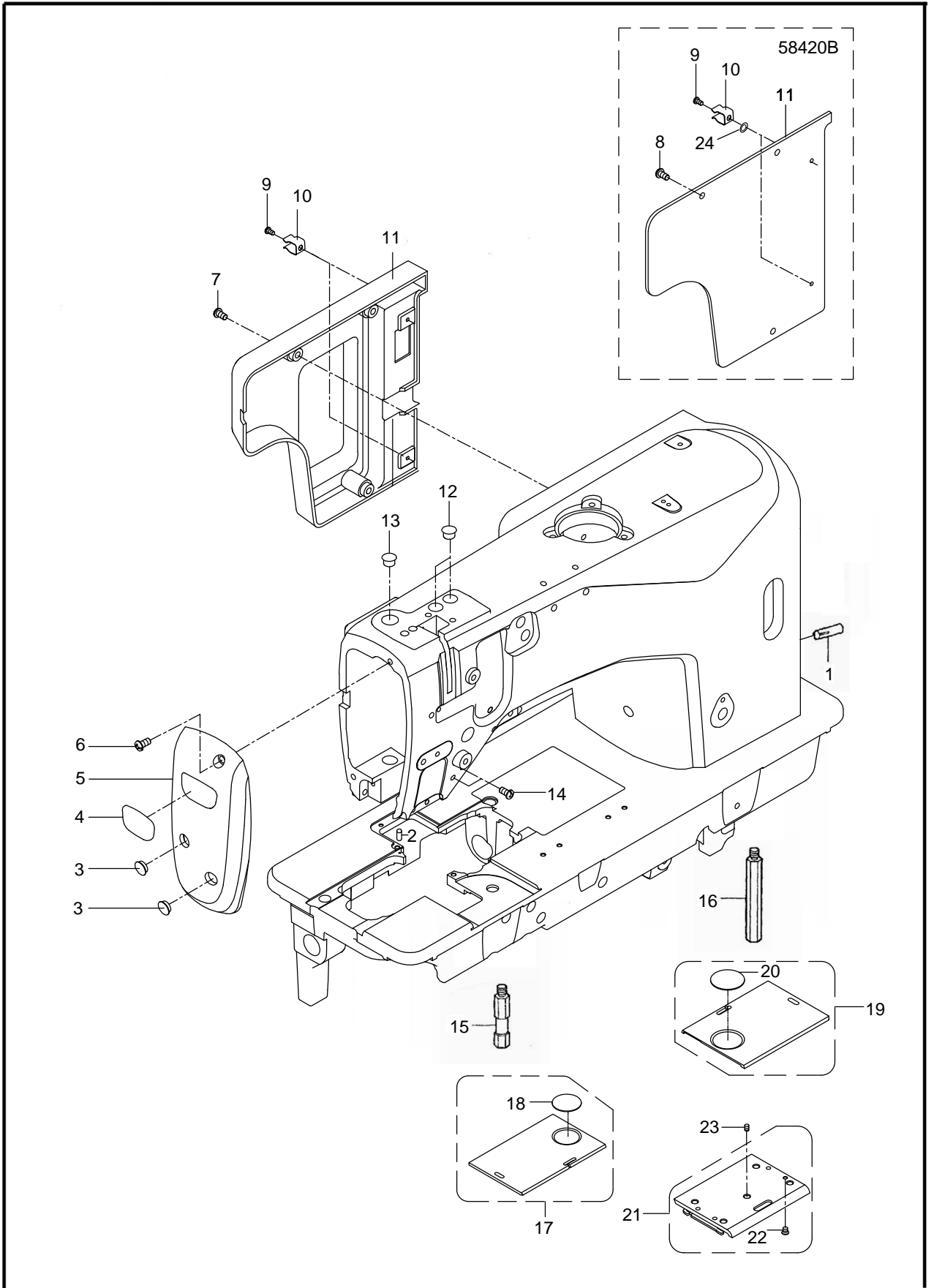
零件样本

PARTS BOOK

零件样本/Parts Book

| | |
|--|----|
| A.机体部件/Machine body | 1 |
| B.上轴部件/Upper shaft mechanism..... | 3 |
| C1.针杆摆动部件/Needle bar rocking mechanism(58420J、58720J) | 5 |
| C2.针杆摆动部件/Needle bar rocking mechanism(58450J、58750J) | 7 |
| D1.针杆切换部件/Needle bar flip-up mechanism(58450J、58750J) | 9 |
| D2.气动针杆切换部件/Parts for pneumatic needle bar switching(58450J、58750J)..... | 11 |
| E.压脚部件/Presser foot mechanism..... | 13 |
| F.送布部件/Feed mechanism..... | 15 |
| G.送布轴部件/Feed shaft mechanism..... | 19 |
| H.针位部件/Gauge parts | 21 |
| I.下轴部件/Lower shaft mechanism | 21 |
| J1.旋梭部件/Rotary hook mechanism(58□□0B)..... | 23 |
| J2.旋梭部件/Rotary hook mechanism(58□□0J)..... | 27 |
| K.供油润滑部件/Lubrication | 31 |
| L.穿线部件/Thread Mechanism | 35 |
| N.卷线部件/Bobbin Winder Mechanism | 37 |
| O.切线部件/Thread trimmer mechanism..... | 39 |
| P.扫线部件/Thread wiper mechanism..... | 43 |
| Q.倒缝部件/Quick reverse mechanism | 45 |
| R.电机与电控部件/Motor and Electronic control box mechanis | 47 |
| S.倒缝开关分部件/Quick reverse switch mechanism..... | 49 |
| T.自动抬压脚部件/Auto lifter components..... | 51 |
| V.气动针杆切换装置附件/ Accessories for pneumatic needle bar switching device..... | 53 |
| Z.附件/Accessories | 55 |
| 针位组零件/Gauge parts list (58420J/58720J/58450J/58750B) | 57 |
| 针位组零件/Gauge parts list (58420J/58720J/58450J/58750J) | 58 |

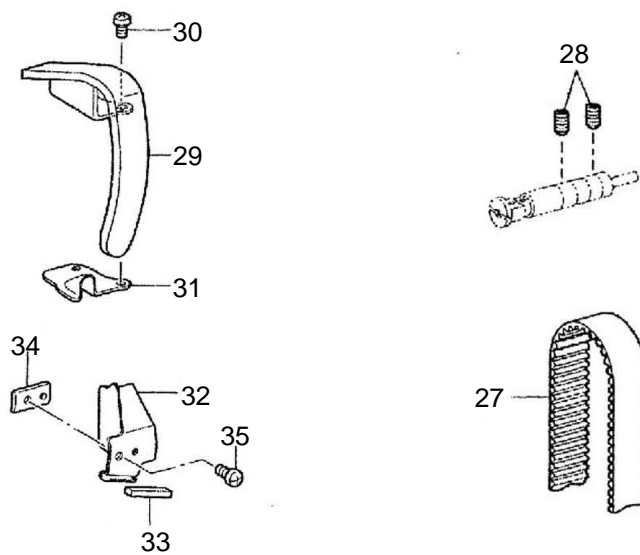
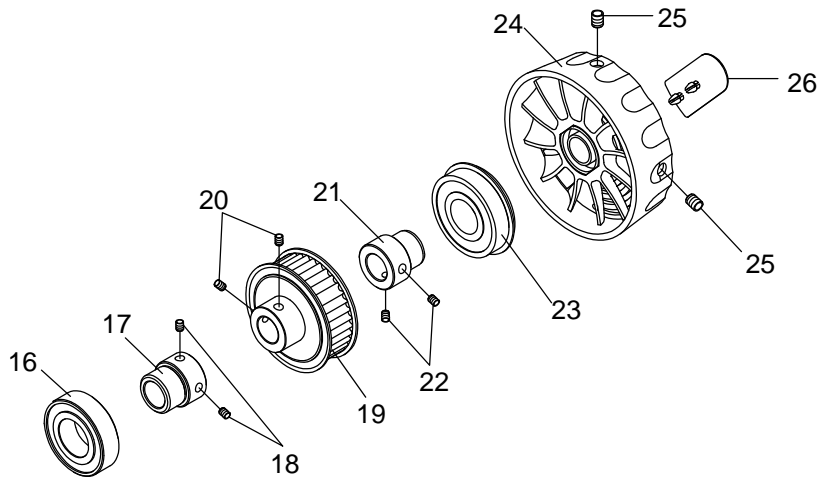
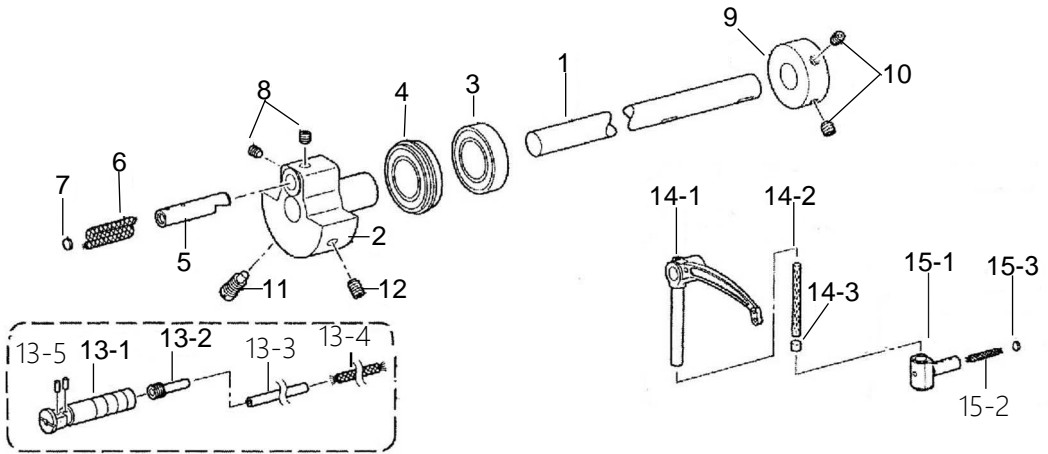
A. 机体部件/Machine body



A.机体部件/Machine body

| 序号 No. | 件号 Part No. | 参考件号 Ref.Part No. | 零部件名称 | Name of parts | 数量 Amt. | | 备注 |
|-----------|----------------|----------------------|-------------------|----------------------------|---------|-----|-------------|
| | | | | | □□3 | □□5 | |
| 1 | 12926001 | 140063001 | 带槽销 | Dowel pin | 2 | 2 | 58□□0J |
| | 12926001 | 140063001 | 带槽销 | Dowel pin | 1 | 1 | 58□□0B |
| 2 | 12926002 | SA3924001 | 定位销 | Positioning pin | 1 | 1 | |
| 3 | 12922001 | SA2929001 | 橡皮塞 12.5 | Rubber cap,12.5 | 2 | 2 | |
| 4 | 13837002 | | 商标牌 | Plate with trademark | 1 | 1 | |
| 5 | 304030 | | 面板 | Face plate | 1 | 1 | 58420/58720 |
| | 304031 | | 面板 | Face plate | 1 | 1 | 58450/58750 |
| 6 | S04032 | 062501416 | 螺钉 M5×14 | Screw,pan M5×14 | 2 | 2 | |
| 7 | S04032 | 062501416 | 螺钉 M5×14 | Screw,pan M5×14 | 3 | 3 | 58□□0J |
| 8 | S04029 | 062501216 | 螺钉 M5×12 | Screw,pan M5×12 | 3 | 3 | 58□□0B |
| 9 | S04021 | | 螺钉M4×4 | Screw M4×4 | 2 | 2 | |
| 10 | 13812007 | | 卡簧 | Buckle | 2 | 2 | |
| | 13812007 | | 卡簧 | Buckle | 1 | 1 | 58□□0B |
| 11 | 304032 | | 后窗板 | Rear cover | 1 | 1 | 58□□0J |
| | 304258 | | 后窗板 | Rear cover | 1 | 1 | 58□□0B |
| 12 | 12922001 | SA2929001 | 橡皮塞 12.5 | Rubber cap,12.5 | 2 | 2 | |
| 13 | 12922001 | SA2929001 | 橡皮塞 12.5 | Rubber cap,12.5 | 1 | 1 | 58420/58720 |
| 14 | S04028 | 062500816 | 螺钉 M5×8 | Screw,pan M5×8 | 2 | 2 | 58450/58750 |
| 15 | 129S30002 | SA2445101 | 脚柱 S | Bed leg,S | 1 | 1 | |
| 16 | 129S30001 | SA2444101 | 脚柱 L | Bed leg,L | 1 | 1 | |
| 17 | 1231500100 | | 左推板组件 | Slide plate,L assy | 1 | 1 | 58□□0J |
| | 12915005 | SA2447001 | 左推板组件 | Slide plate,L assy | 1 | 1 | 58□□0B |
| 18 | 12911001 | SA2479001 | 推板窗 | Bobbin window | 1 | 1 | |
| 19 | 1231500200 | | 右推板组件 | Slide plate,R assy | 1 | 1 | 58□□0J |
| | 12915006 | SA2449001 | 右推板组件 | Slide plate,R assy | 1 | 1 | 58□□0B |
| 20 | 12911001 | SA2479001 | 推板窗 | Bobbin window | 1 | 1 | |
| 21 | 1231500300 | | 前推板组件 | Slide plate f assy | 1 | 1 | 58□□0J |
| | 1291500300 | S36663051 | 前推板组件 | Slide plate f assy | 1 | 1 | 58□□0B |
| 22 | 129S15001 | S34438051 | 螺钉SM1/8"×40 L=4 | Screw,flat SM1/8"×40 L=4 | 4 | 4 | |
| 23 | 129S17001 | | 螺钉SM13/64"×32 L=4 | Screw,flat SM13/64"×32 L=4 | 1 | 1 | |
| 24 | 12928008 | | 垫片 | Washer,plain | 1 | 1 | 58□□0B |

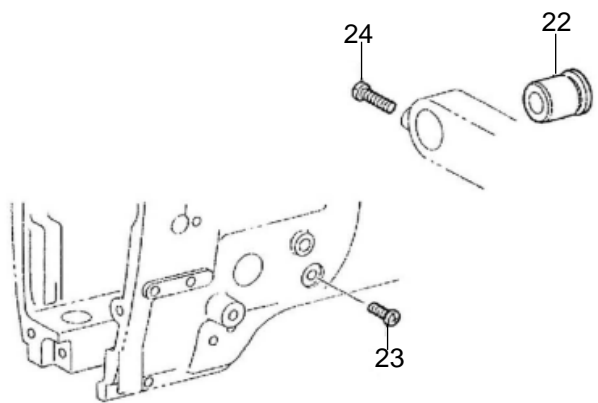
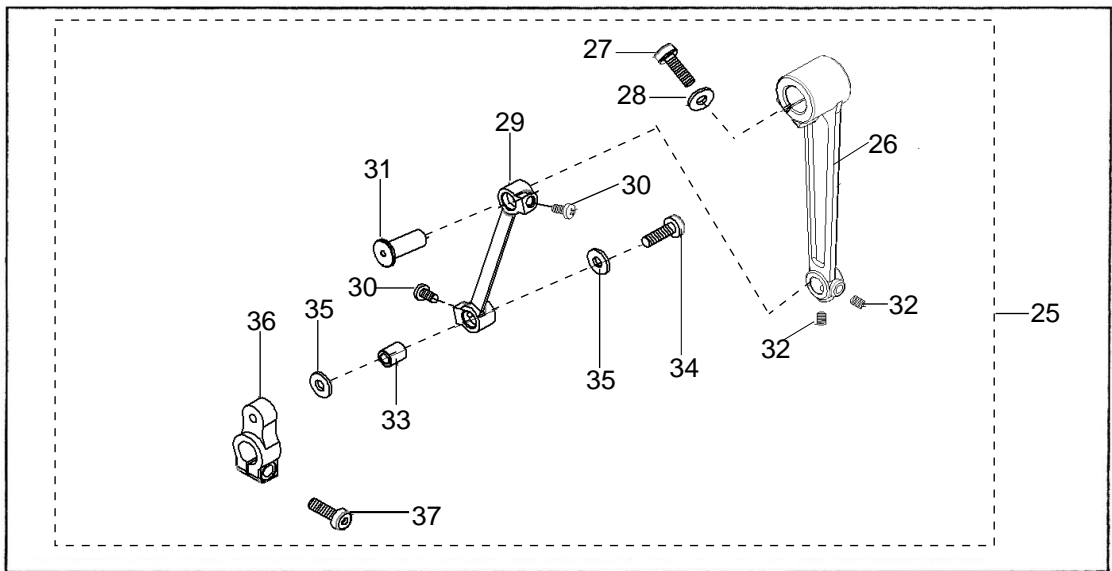
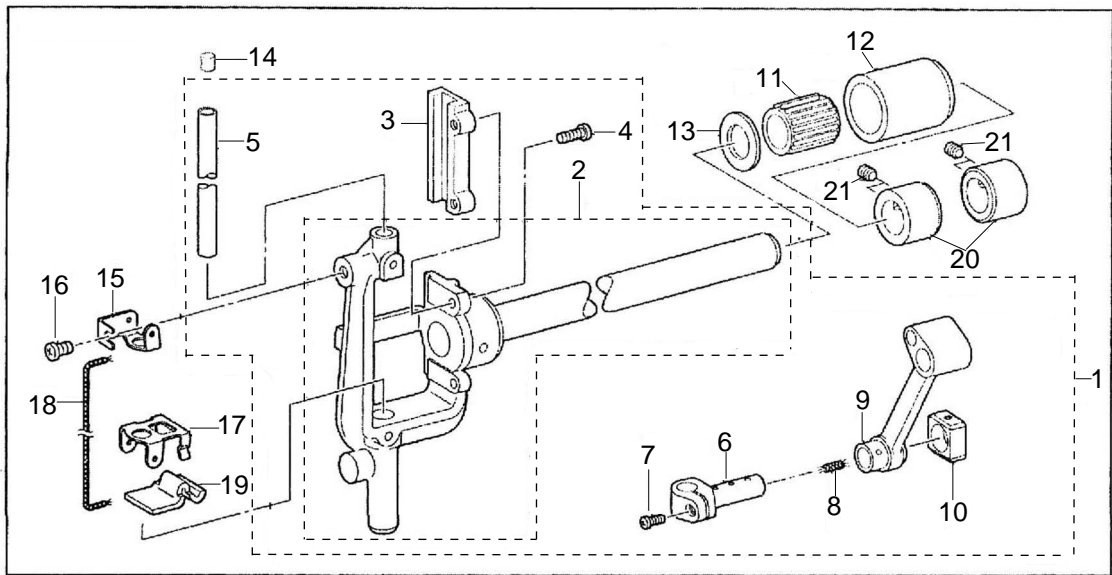
B. 上轴部件/Upper shaft mechanism



B.上轴部件/Upper shaft mechanism

| 序号 No. | 件号 Part No. | 参考件号 Ref.Part No. | 零部件名称 | Name of parts | 数量 Amt. | | 备注 |
|-----------|----------------|----------------------|------------------|------------------------------------|---------|------|-----------------|
| | | | | | □□3 | □□5 | |
| 1 | 12302001 | | 上轴 | Upper shaft | 1 | 1 | |
| 2 | 12904001 | SA4089001 | 挑线杆曲柄 | Thread takeup crank | 1 | 1 | 58420/58720 |
| | 12904006 | SA4373001 | 挑线杆曲柄 | Thread takeup crank | 1 | 1 | 58450/58750 |
| 3 | B04022 | S25234001 | 球轴承 6004ZZ | Ball bearing,6004ZZ | 1 | 1 | |
| 4 | B10002 | S38707001 | 球轴承 6004ZZNR | Ball bearing,6004ZZNR | 1 | 1 | |
| 5 | 12926201 | SA6166001 | 针杆曲柄轴 | Crankshaft,NBAR | 1 | 1 | |
| 6 | 12923050 | | 油线 φ2.5 L=60 | Wick,φ2.5 L=60 | 1 | 1 | |
| 7 | 11626003 | 113014000 | 油线盖 | Wick cap | 1 | 1 | |
| 8 | S10017 | S25260001 | 固定螺钉 M6×0.75 L=5 | screw M6×0.75 L=5 | 2 | 2 | |
| 9 | 12308001 | | 绕线轮驱动轮 | Bobbin winder driving wheel | 1 | 1 | |
| 10 | S10019 | | 紧定螺钉 M6×6 | Set screw,socket(ft)M6×6 | 2 | 2 | |
| 11 | 129S30005 | S25235001 | 螺钉 M8×6 | Screw M8×6 | 1 | 1 | |
| 12 | S09017 | S25236001 | 螺钉 M6×0.75 L=10 | screw M6×0.75 L=10 | 1 | 1 | |
| 13-1 | 12938003 | | 挑线架销 | Hinge Pin For Thread Take Up Lever | 1 | 1 | |
| 13-2 | 12938002 | SA2861001 | 挑线杆支撑轴接头 | Thread takeup s-shaft unit | 1 | 1 | |
| 13-3 | 12921002 | | 维尼龙油管L=190 | Oil tube,L=190 | 0.19 | 0.19 | |
| 13-4 | 12923018 | | 油线 L=400 | Wick, L=400 | 0.4 | 0.4 | |
| 13-5 | 20123021 | | 油线 L=30 | Wick, L=30 | 0.03 | 0.03 | |
| 14-1 | 12938006 | SA2935101 | 挑线杆-3 | Thread takeup lever assy,s3 | 1 | | 58420-003 |
| | 12938007 | SA2936101 | 挑线杆-5 | Thread takeup lever assy,s5 | 1 | 1 | 58420-005/58450 |
| | 12938202 | SA2937101 | 挑线杆-7 | Thread takeup lever assy,s7 | 1 | 1 | 58720/58750 |
| 14-2 | 12923031 | | 油线 4×4 L=40 | Wick,4×4 L=40 | 1 | 1 | |
| 14-3 | 12922015 | | 橡皮塞 | Rubber cap | 1 | 1 | |
| 15-1 | 11626004 | S13160001 | 挑线杆连接柱 | Ttakeup slide block assy,2 | 1 | 1 | |
| 15-2 | 12923012 | | 油线 L=17 | Wick, L=17 | 1 | 1 | |
| 15-3 | 12926016 | | 油线盖φ4 | Wick capφ4 | 1 | 1 | |
| 16 | B04021 | 076023800 | R球轴承 60/22ZZ | Ball bearing,radial 60/22ZZ | 1 | 1 | |
| 17 | 12908002 | SA2748001 | 轴承套座 | Ball bearing bush | 1 | 1 | |
| 18 | S10018 | S23651001 | 紧定螺钉M6×0.75 L=6 | Screw M6×0.75 L=6 | 2 | 2 | |
| 19 | 12935002 | SA2720001 | 同步轮UST组件 | Timing pulley assy,U ST | 1 | 1 | |
| 20 | S10018 | S23651001 | 紧定螺钉M6×0.75 L=6 | screw M6×0.75 L=6 | 2 | 2 | |
| 21 | 12303002 | | 上轴后轴承衬套 | Ball bearing bush | 1 | 1 | |
| 22 | S10018 | S23651001 | 紧定螺钉M6×0.75 L=6 | screw M6×0.75 L=6 | 2 | 2 | |
| 23 | B10009 | S38710001 | 球轴承 6204ZZNR | Ball bearing,6204ZZNR | 1 | 1 | |
| 24 | 304034 | | 手轮 | Pully | 1 | 1 | |
| 25 | S10019 | | 螺钉 M6×6 | Set screw,socket(ft)M6×6 | 2 | 2 | |
| 26 | 13811021 | | 手轮贴条 | Handwheel lable | 1 | 1 | |
| 27 | 12935003 | SA2463001 | 同步皮带 | Timing belt | 1 | 1 | |
| 28 | S10024 | 012061036 | 螺钉 M6×10 | Set screw,socket(ft)M6×10 | 2 | 2 | |
| 29 | 12312012 | SA2469001 | 挑线杆防护罩 | Thread takeup lever cover | 1 | 1 | |
| 30 | S04028 | 062500816 | 螺钉 M5×8 | Screw,pan M5×8 | 2 | 2 | |
| 31 | 12912005 | SA4537001 | 防尘盖 | Dust cover | 1 | 1 | |
| 32 | 1291207900 | SA3058101 | 遮掩板 | Shelter plate | 1 | 1 | 58420/58720 |
| | 12912082 | SA4376101 | 遮掩板 | Shelter plate | 1 | 1 | 58450/58750 |
| 33 | 12923001 | SA3065001 | 油毡 | Felt | 1 | 1 | |
| 34 | 12912006 | SA3059101 | 遮掩板支座 | Holder,shelter plate | 1 | 1 | |
| 35 | S04028 | 062500816 | 螺钉 M5×8 | Screw,pan M5×8 | 1 | 1 | |

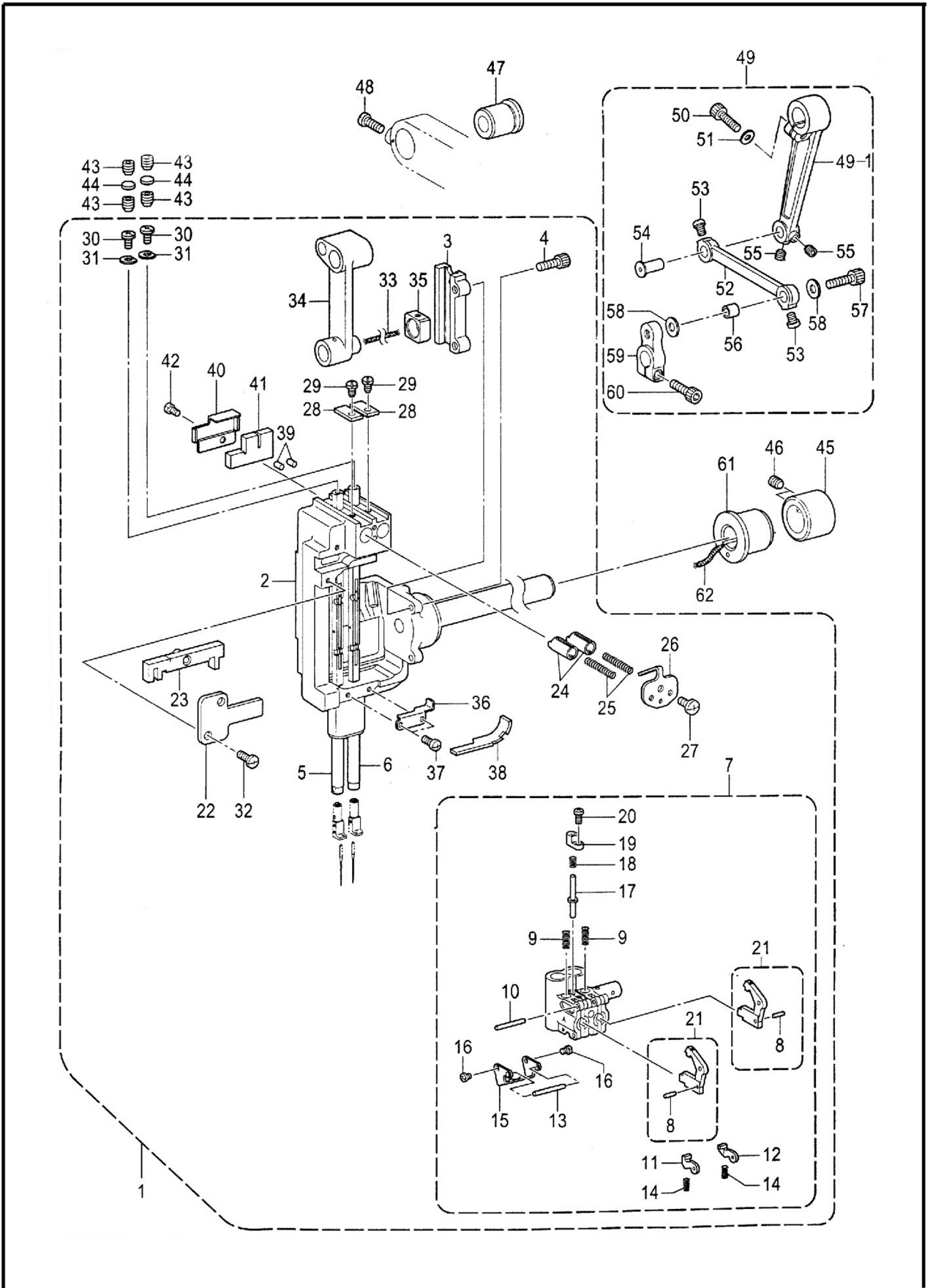
C1.针杆摆动部件/Needle bar rocking mechanism(58420、58720)



C1.针杆摆动部件/Needle bar rocking mechanism(58420、58720)

| 序号 No. | 件号 Part No. | 参考件号 Ref.Part No. | 零部件名称 | Name of parts | 数量 Amt. | | 备注 |
|-----------|----------------|----------------------|------------------|------------------------------|---------|-----|----|
| | | | | | □□3 | □□5 | |
| 1 | 1290200200 | SA4124301 | 针杆摆动轴组件 | Needle bar rocker shaft assy | 1 | 1 | |
| 2 | 1290100100 | SA3854001 | 针杆台组件 | Needle bar base assy | 1 | 1 | |
| 3 | 12909001 | SA2474201 | 角滑块槽 | Slide block slider | 1 | 1 | |
| 4 | S05058 | 018401036 | 螺钉M4×10 | Screw,pan M4×10 | 2 | 2 | |
| 5 | 12902003 | SA2475101 | 针杆 | Needle bar | 1 | 1 | |
| 6 | 12905002 | SA3710001 | 针杆抱箍 | Needle bar clamp | 1 | 1 | |
| 7 | 129S30021 | 062350816 | 螺钉M3.5×8 | Screw,pan M3.5×8 | 1 | 1 | |
| 8 | 12923023 | | 油线 2.5×4.5 L=40 | Wick,2.5×4.5 L=40 | 1 | 1 | |
| 9 | 12905003 | SA3711101 | 针杆曲柄连杆 | Crank rod,nbar Slide | 1 | 1 | |
| 10 | 12909002 | SA3712001 | 角滑块 | block Needle bearing | 1 | 1 | |
| 11 | 12924001 | SA2482001 | 滚针轴承 | Case | 1 | 1 | |
| 12 | 12903001 | SA2483001 | 轴承套 | Washer,plain Cap,nbar | 1 | 1 | |
| 13 | 12928015 | SA2484001 | 垫圈 | Flat support,U | 1 | 1 | |
| 14 | 12923002 | 148394000 | 针杆塞 | Screw,pan M5×6 Flat | 1 | 1 | |
| 15 | 12912007 | SA4007001 | 油毡上支架U | support,D Wick,L=200 | 1 | 1 | |
| 16 | S04030 | 062500616 | 螺钉M5×6 | | 1 | 1 | |
| 17 | 12912008 | SA3848001 | 油毡下支架D | | 1 | 1 | |
| 18 | 12923021 | S07465000 | 油线 L=200 | | 1 | 1 | |
| 19 | 12923003 | SA3852001 | 油毡 | Flat | 1 | 1 | |
| 20 | 12908003 | SA2485001 | 紧圈 | Set screw collar | 2 | 2 | |
| 21 | S10063 | | 固定螺钉 M6×0.75 L=5 | Set screw,socket(ft)M6×5 L=5 | 4 | 4 | |
| 22 | 12903002 | SA2486101 | 摆动轴轴套R | Bush,R | 1 | 1 | |
| 23 | S04028 | 062500816 | 螺钉M5×8 | Screw,pan M5×8 | 1 | 1 | |
| 24 | S04031 | 062061616 | 螺钉M6×16 | Screw,pan M6×16 | 1 | 1 | |
| 25 | 1290501500 | | 针杆摆动组件 | Needle bar rocker lever assy | 1 | 1 | |
| 26 | 12905004 | SA2489001 | 针杆摆动连杆 | Needle bar rocker lever | 1 | 1 | |
| 27 | S05078 | 018062032 | 螺栓M6×20 | Bolt,socket M6×20 | 1 | 1 | |
| 28 | 20128033 | 118735002 | 垫圈 | Washer | 1 | 1 | |
| 29 | 12905005 | SA2490101 | 针杆摆动杆 | Rocker link,NBAR | 1 | 1 | |
| 30 | S04034 | S23460001 | 螺钉M6×5 | Screw,pan M6×5 | 2 | 2 | |
| 31 | 12926005 | SA4117001 | 摆动杆轴P | Link shaft,NBAR rocker P | 1 | 1 | |
| 32 | S10019 | 012060636 | 螺钉 M6×6 | Set screw,socket(ft)M6×6 | 2 | 2 | |
| 33 | 12903003 | SA4118001 | 摆动杆轴套P | Zigzag link bush,P | 1 | 1 | |
| 34 | S05016 | 018062532 | 内六角螺栓M6×25 | Bolt,socket M6×25 | 1 | 1 | |
| 35 | 12928002 | SA2493001 | 垫圈 | Washer,plain | 2 | 2 | |
| 36 | 12901010 | SA2494001 | 针杆摆动臂 | Needle bar rock arm | 1 | 1 | |
| 37 | S05078 | 018062032 | 螺栓M6×20 | Bolt,socket M6×20 | 1 | 1 | |

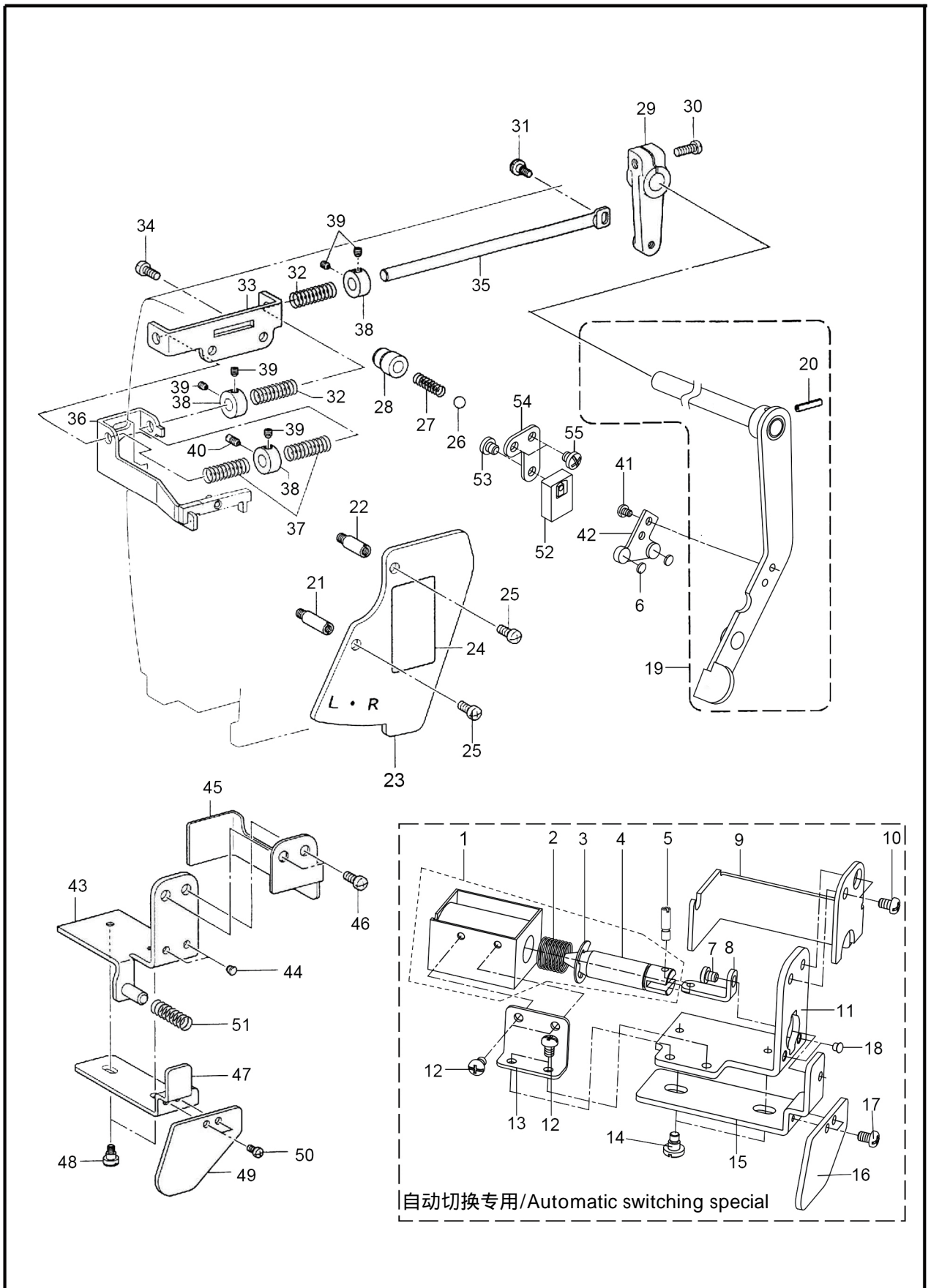
C2.针杆摆动部件/Needle bar rocking mechanism(58450、58750)



C2.针杆摆动部件/Needle bar rocking mechanism(58450、 58750)

| 序号 No. | 件号 Part No. | 参考件号 Ref.Part No. | 零部件名称 | Name of parts | 数量 Amt. | | 备注 |
|-----------|----------------|----------------------|------------------|------------------------------|---------|-----|----|
| | | | | | □□3 | □□5 | |
| 1 | 1290201400 | SA4377001 | 针杆摆动轴组件 | Needle bar rocker shaft assy | 1 | 1 | |
| 2 | 1290100600 | SA4378001 | 针杆台组件 | Needle bar base assy | 1 | 1 | |
| 3 | 12909001 | SA2474201 | 角滑块槽 | Slide block slider | 1 | 1 | |
| 4 | S05058 | 018401036 | 螺钉M4×10 | Bolt socket M4×10 | 2 | 2 | |
| 5 | 12902015 | SA4382001 | 针杆组件L | Needle bar assy,L | 1 | 1 | |
| 6 | 12902016 | SA4385001 | 针杆组件R | Needle bar assy,R | 1 | 1 | |
| 7 | 12902017 | SA4387001 | 针杆抱箍组件 | Needlee bar clamp assy | 1 | 1 | |
| 8 | 11726003 | 149604001 | 销 1.5×5.8 | Pin 1.5×5.8 | 2 | 2 | |
| 9 | 12927019 | 149605001 | 离合器摆杆弹簧 | Spring,clutch lever | 2 | 2 | |
| 10 | 11726004 | 149827001 | 销 2×15.8 | Pin 2×15.8 | 1 | 1 | |
| 11 | 12912102 | S34561101 | 止动块 L | Clutch stopper,L | 1 | 1 | |
| 12 | 12912066 | S34562101 | 止动块 R | Clutch stopper,R | 1 | 1 | |
| 13 | 11726005 | 149608001 | 销 2×17.8 | Pin 2×17.8 | 1 | 1 | |
| 14 | 11727002 | 112609001 | 推动板止动簧 | Spring | 1 | 1 | |
| 15 | 12912067 | SA4391001 | 弹簧支架 | Spring holding | 1 | 1 | |
| 16 | 129S3029 | 062260316 | 螺钉M2.6×3 | Screw,pan M2.6×3 | 2 | 2 | |
| 17 | 11726006 | 149610001 | 销 | Pin | 1 | 1 | |
| 18 | 11727003 | 149611101 | 离合销弹簧 | Spring,release pin | 1 | 1 | |
| 19 | 12901009 | SA4392001 | 离合销盖 | Pin cover | 1 | 1 | |
| 20 | 129S30030 | 062260516 | 螺钉M2.6×5 | Screw,pan M2.6×5 | 1 | 1 | |
| 21 | 12912068 | SA4389101 | 离合器摆杆组件 | Clutch lever assy | 2 | 2 | |
| 22 | 12912070 | SA4395001 | 角滑块导向板 | Slide block guide plate | 1 | 1 | |
| 23 | 12909013 | S07575000 | 滑块组件 | Slide block assy | 1 | 1 | |
| 24 | 12912071 | SA4583001 | 针杆定位 | Stopper,Nbar | 2 | 2 | |
| 25 | 11727004 | 149622001 | 针杆止动器弹簧 | Spring,Nbar stopper | 2 | 2 | |
| 26 | 12912072 | SA4396001 | 弹簧盖 | Spring cover | 1 | 1 | |
| 27 | S04016 | 060350616 | 螺钉M3.5×6 | Screw bind M3.5×6 | 1 | 1 | |
| 28 | 12912073 | SA4397001 | 针杆定位块 | Rotate stopper,NBar | 2 | 2 | |
| 29 | 129S20005 | SA4398001 | 螺钉SM3.5 | Screw SM3.5 | 2 | 2 | |
| 30 | S04016 | 060350616 | 螺钉M3.5×6 | Screw bind M3.5×6 | 2 | 2 | |
| 31 | W01001 | SA4399001 | 垫圈 | Washer,plane | 2 | 2 | |
| 32 | 129S30021 | 062350816 | 螺钉M3.5×8 | Screw pan M3.5×8 | 1 | 1 | |
| 33 | 12923021 | 112728001 | 油线 2×2 L=50 | Wick,2×2 L=50 | 1 | 1 | |
| 34 | 12905016 | SA4393001 | 针杆曲柄连杆 | Crank rod,Nbar | 1 | 1 | |
| 35 | 12909010 | SA4394001 | 角滑块 | Slide block | 1 | 1 | |
| 36 | 12912074 | SA4401001 | 油毡下支架D | Felt support,D | 1 | 1 | |
| 37 | S04016 | 062350616 | 螺钉M3.5×6 | Screw bind M3.5×6 | 2 | 2 | |
| 38 | 12923027 | SA4400001 | 油毡 | Felt | 1 | 1 | |
| 39 | 10123002 | 107155001 | 针杆上毡塞 | Felt | 2 | 2 | |
| 40 | 12912101 | SA5155001 | 油毡上支架U | Felt support,U | 1 | 1 | |
| 41 | 12923029 | SA5237101 | 油毡 | Felt | 2 | 2 | |
| 42 | S04041 | 062350516 | 螺钉M3.5×5 | Screw pan M3.5×5 | 1 | 1 | |
| 43 | S10025 | 014080831 | 紧定螺钉 M8×8 | Set screw,socket(CP)M8×8 | 4 | 4 | |
| 44 | 12928021 | 154567000 | 衬垫5.3 | Spacer,5.3 | 2 | 2 | |
| 45 | 12908003 | SA2485001 | 紧圈 | Set screw collar | 1 | 1 | |
| 46 | S10063 | | 固定螺钉 M6X0.75 L=5 | Set screw,socket(ft)M6×5 L=5 | 2 | 2 | |
| 47 | 12903002 | SA2486101 | 摆动轴轴套R | Bush,R | 1 | 1 | |
| 48 | S04031 | 062061616 | 螺钉M6×16 | Screw pan M6×16 | 1 | 1 | |
| 49 | 1290501500 | | 针杆摆动组件 | Needle bar rocker lever assy | 1 | 1 | |
| 49-1 | 12905004 | SA2489001 | 针杆摆动连杆 | Needle bar rocker lever assy | 1 | 1 | |
| 50 | S05078 | | 螺栓M6×20 | Bolt socket M6×20 | 1 | 1 | |
| 51 | 20128033 | 118735002 | 垫圈6 | Washer | 1 | 1 | |
| 52 | 12905005 | SA2490101 | 针杆摆动杆 | Rocker link,NBar | 1 | 1 | |
| 53 | S04034 | S23460001 | 螺钉M6×5 | Screw pan M6×5 | 2 | 2 | |
| 54 | 12926005 | SA4117001 | 摆动杆轴P | Link shaft,Nbar rocker P | 1 | 1 | |
| 55 | S10019 | 012060636 | 螺钉 M6×6 | Set screw,socket(ft)M6×6 | 2 | 2 | |
| 56 | 12903003 | SA4118001 | 摆动杆轴套P | Ziqzag link bush,P | 1 | 1 | |
| 57 | S05016 | 018062532 | 螺栓M6×25 | Bolt socket M6×25 | 1 | 1 | |
| 58 | 12928002 | SA2493001 | 垫圈 | Washer,plain | 2 | 2 | |
| 59 | 12901010 | SA2494001 | 针杆摆动臂 | Needle bar rock arm | 1 | 1 | |
| 60 | S05078 | 018062032 | 螺栓M6×20 | Bolt socket M6×20 | 1 | 1 | |
| 61 | 12903018 | SA5332001 | 轴套L | Bush,L | 1 | 1 | |
| 62 | 12923018 | S48204000 | 油线4×4 L=150 | Wick,4×4 L=150 | 1 | 1 | |

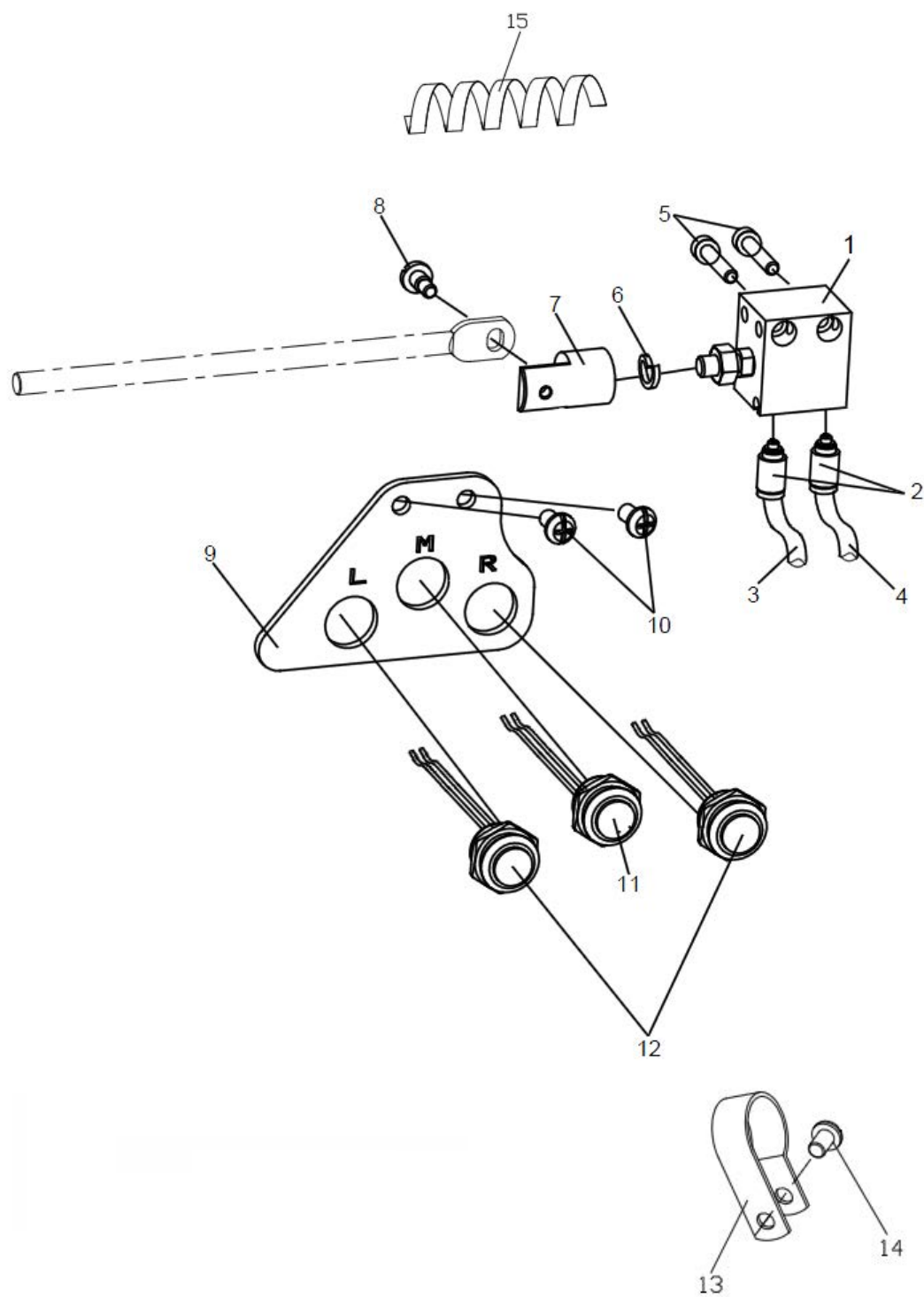
D1.针杆切换部件/Needle bar flip-up mechanism(58450、58750)



D1.针杆切换部件/Needle bar flip-up mechanism(58450、58750)

| 序号 No. | 件号 Part No. | 参考件号 Ref.Part No. | 零部件名称 | Name of parts | 数量 Amt. | | 备注 |
|-----------|----------------|----------------------|------------|----------------------------|---------|-----|-----|
| | | | | | □□3 | □□5 | |
| 1 | 1233000800 | | 针杆复位电磁铁 | Needle bar reset solenoid | 1 | 1 | -□□ |
| 2 | 12327005 | | 电磁铁复位弹簧 | solenoid reset spring | 1 | 1 | -□□ |
| 3 | H05011 | | 限位挡圈9 | Retaining ring,9 | 1 | 1 | -□□ |
| 4 | 12330009 | | 限位电磁铁铁芯 | Solenoid core | 1 | 1 | -□□ |
| 5 | 120511010 | | 销 | Pin | 1 | 1 | -□□ |
| 6 | 12347001 | | 感应磁钢 | Magnet | 2 | 2 | -□□ |
| 7 | S04021 | | 固定螺钉M4×4 | Set screw M4×4 | 1 | 1 | -□□ |
| 8 | 12312024 | | 复位连接板 | Reset connector | 1 | 1 | -□□ |
| 9 | 12312017 | | 指示板盖 | Holder plate cover | 1 | 1 | -□□ |
| 10 | S04032 | 062501016 | 螺钉M5×14 | Screw pan M5×14 | 2 | 2 | |
| 11 | 12312018 | | 指示板组件 | Indication plate assy | 1 | 1 | -□□ |
| 12 | 207S11011 | | 固定螺钉M4×5 | Set screw M4×5 | 4 | 4 | -□□ |
| 13 | 12312019 | | 复位电磁铁安装板 | Solenoid mounting plate | 1 | 1 | -□□ |
| 14 | 123S20001 | | 段螺钉M4 | Shoulder screw,M4 | 2 | 2 | |
| 15 | 12312021 | | 压板 | Push lever | 1 | 1 | |
| 16 | 12312022 | | 压杆板 | Plate,push lever | 1 | 1 | |
| 17 | S04041 | 062350516 | 螺钉 M3.5×5 | Screw pan M3.5×5 | 2 | 2 | |
| 18 | 12922004 | 104833001 | 橡皮塞4.3 | Rubber cap,4.3 | 2 | 2 | |
| 19 | 1231202000 | | 定位杆轴组件 | Stop lever shaft assy | 1 | 1 | -□□ |
| | 1291206000 | SA4406001 | 定位杆轴组件 | Stop lever shaft assy | 1 | 1 | |
| 20 | 11729011 | 047301842 | 弹簧销AW3×18 | Pin spring roll AW3×18 | 1 | 1 | |
| 21 | 123S30004 | SA4408001 | 螺栓L | Stud,L | 1 | 1 | |
| 22 | 123S30005 | SA4409001 | 螺栓S | Stud,S | 1 | 1 | |
| 23 | 12912061 | SA4411101 | 切换指示板 | Flipup holder plate | 1 | 1 | |
| 24 | | S18964001 | 切换指示标签 | Label | 1 | 1 | |
| 25 | S04028 | 062500816 | 螺钉M5×8 | Screw pan M5×8 | 2 | 2 | |
| 26 | 11724001 | 071063550 | 钢珠1/4 | Bearing ball | 1 | 1 | |
| 27 | 12927022 | 150820001 | 弹簧 | Spring | 1 | 1 | |
| 28 | 12903016 | SA4412001 | 轴承导向套 | Ball guide bush | 1 | 1 | |
| 29 | 12304001 | SA4413001 | 轴臂 | Arm,lever shaft | 1 | 1 | |
| 30 | S05004 | 062501416 | 螺钉M5×14 | Screw pan M5×14 | 1 | 1 | |
| 31 | 123S20002 | SA5588001 | 螺钉M4 | Shoulder screw,M4 | 1 | 1 | |
| 32 | 11727007 | SA4414001 | 弹簧 | Spring | 2 | 2 | |
| 33 | 12312006 | SA4415001 | 滑轴架 | Slide shaft bracket | 1 | 1 | |
| 34 | S04028 | 062500816 | 螺钉M5×8 | Screw pan M5×8 | 2 | 2 | |
| 35 | 12312007 | S07588101 | 滑动轴 | Slide shaft | 1 | 1 | |
| 36 | 12312008 | SA4416001 | 支架板 | Support plate,slide shaft | 1 | 1 | |
| 37 | 12927018 | 149863001 | 弹簧 | Spring,plate | 2 | 2 | |
| 38 | 12303003 | SA4417001 | 紧圈 | Set screw collar | 3 | 3 | |
| 39 | S10007 | 014400432 | 紧定螺钉M4×4 | Set screw,socket(CP)M4×4 | 5 | 5 | |
| 40 | 123S11004 | SA4418001 | 导向螺钉 | Guide screw | 1 | 1 | |
| 41 | 413S11009 | | 球面圆柱螺钉M4×5 | Set screw M4×5 | 2 | 2 | |
| 42 | 12311010 | | 感应磁钢安装板 | Solenoid mounting plate | 1 | 1 | |
| 43 | 12312002 | SA4402001 | 指示板组件 | Indication plate assy | 1 | 1 | |
| 44 | 12922004 | 104833001 | 橡皮塞4.3 | Rubber cap,4.3 | 2 | 2 | |
| 45 | 12312003 | SA5336001 | 指示板盖 | Holder plate cover | 1 | 1 | |
| 46 | S04032 | 062501016 | 螺钉M5×14 | Screw pan M5×14 | 2 | 2 | |
| 47 | 12312004 | SA4404001 | 压板 | Push lever | 1 | 1 | |
| 48 | 123S20001 | SA4441001 | 段螺钉M4 | Shoulder screw,M4 | 2 | 2 | |
| 49 | 12912059 | SA4405001 | 压杆板 | Plate,push lever | 1 | 1 | |
| 50 | S04041 | 062350516 | 螺钉 M3.5×5 | Screw pan M3.5×5 | 2 | 2 | |
| 51 | 12927017 | SA5333001 | 弹簧 | Spring | 1 | 1 | |
| 52 | 12330010 | | 霍尔传感器 | Hall sensor | 1 | 1 | -□□ |
| 53 | S04021 | | 固定螺钉M4×4 | Set screw M4×4 | 1 | 1 | -□□ |
| 54 | 12312023 | | 霍尔传感器安装板 | Hall sensor mounting plate | 1 | 1 | -□□ |
| 55 | S04035 | | 复合槽螺钉M4×6 | Set screw M4×5 | 2 | 2 | -□□ |

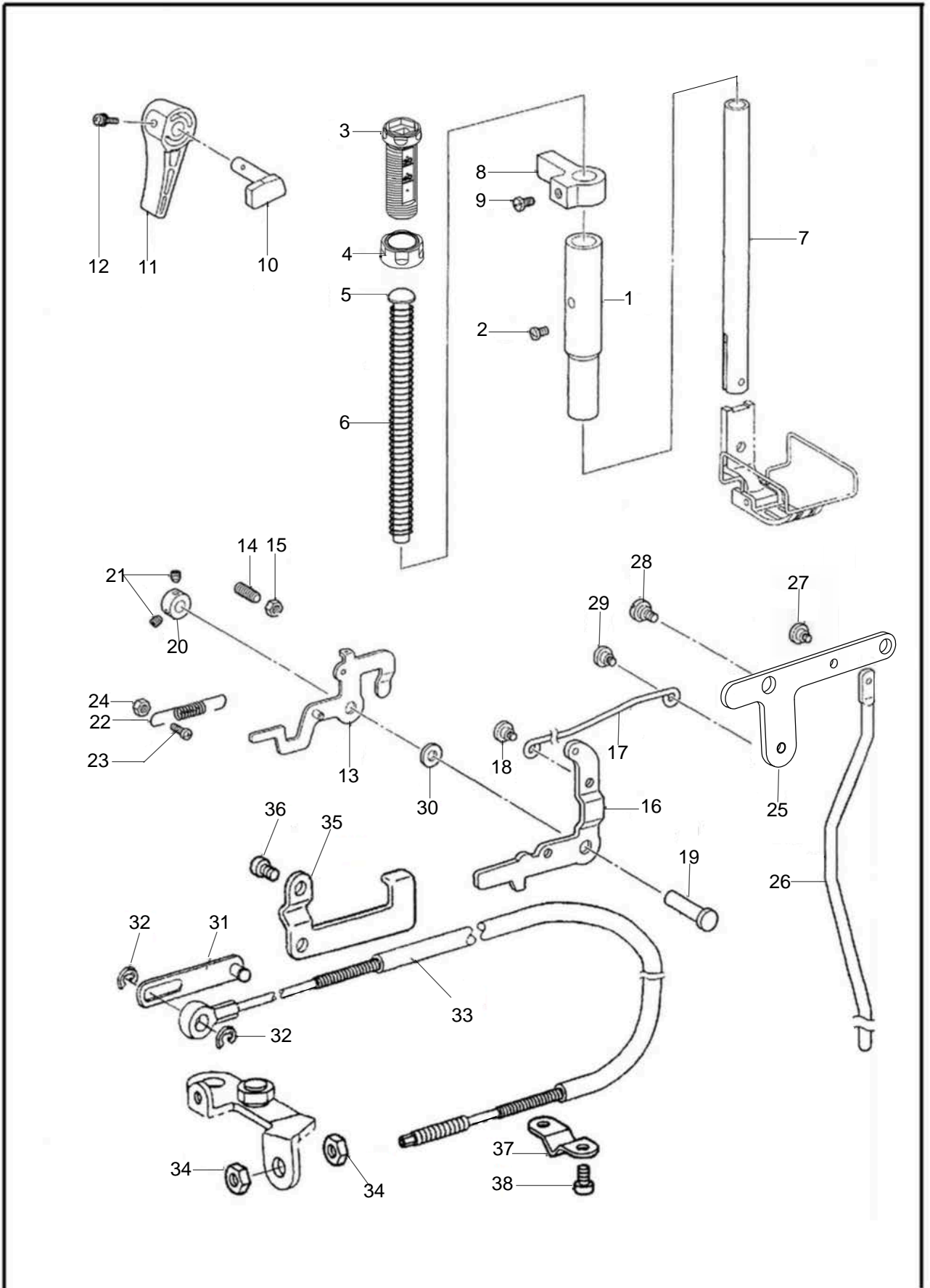
D2.气动针杆切换部件/Parts for pneumatic needle bar switching(58450J、58750J)



D2.气动针杆切换部件/Parts for pneumatic needle bar switching(58450J、 58750J)

| 序号 No. | 件号 Part No. | 零件号 Ref.Part No. | 零部件名称 | Name of parts | 数量 Amt. | | 备注 |
|-----------|----------------|------------------------|-----------------|---|---------|-----|------|
| | | | | | □□3 | □□5 | |
| 1 | 112345003 | | 微型气缸CUJB16-9DM | mini cylinder CUJB16-9DM | 1 | 1 | -□2□ |
| 2 | 185545002 | | 气管接头KQ2S04-M3G | tube connector KQ2S04-M3G | 2 | 2 | -□2□ |
| 3 | 185245106 | | 绿色气管(φ4×1000) | green tube (φ4 × 1000) | 1 | 1 | -□2□ |
| 4 | 185245107 | | 粉色气管(φ4×1000) | pink tube (φ4 × 1000) | 1 | 1 | -□2□ |
| 5 | S05970 | | 螺钉 M4×20 | Screw pan M4×20 | 2 | 2 | -□2□ |
| 6 | W02004 | | GB/T93-1987弹垫M6 | Spring Washer M6 | 1 | 1 | -□2□ |
| 7 | 185505001 | | 针杆分离气缸接头 | needle bar separating cylinder connector | 1 | 1 | -□2□ |
| 8 | 123S20002 | SA5588001 | 螺钉M4 | Shoulder screw,M4 | 1 | 1 | |
| 9 | 185512001 | | 针杆分离开关安装板 | needle bar separating switch mounting plate | 1 | 1 | -□2□ |
| 10 | S04028 | 062500816 | 螺钉M5×8 | Screw pan M5×8 | 2 | 2 | |
| 11 | 11233000500 | | 中位开关组件 | neutral switch assembly | 1 | 1 | -□2□ |
| 12 | 11233000600 | | 左、右开关组件 | left and right switch components | 2 | 2 | -□2□ |
| 13 | 41711017 | | 电线夹 | wire clip | 2 | 2 | |
| 14 | S04035 | | 螺钉 M4×6 | Screw pan M4×6 | 2 | 2 | |
| 15 | 12911301 | | 绕线管 | bobbin | 0.6 | 0.6 | |

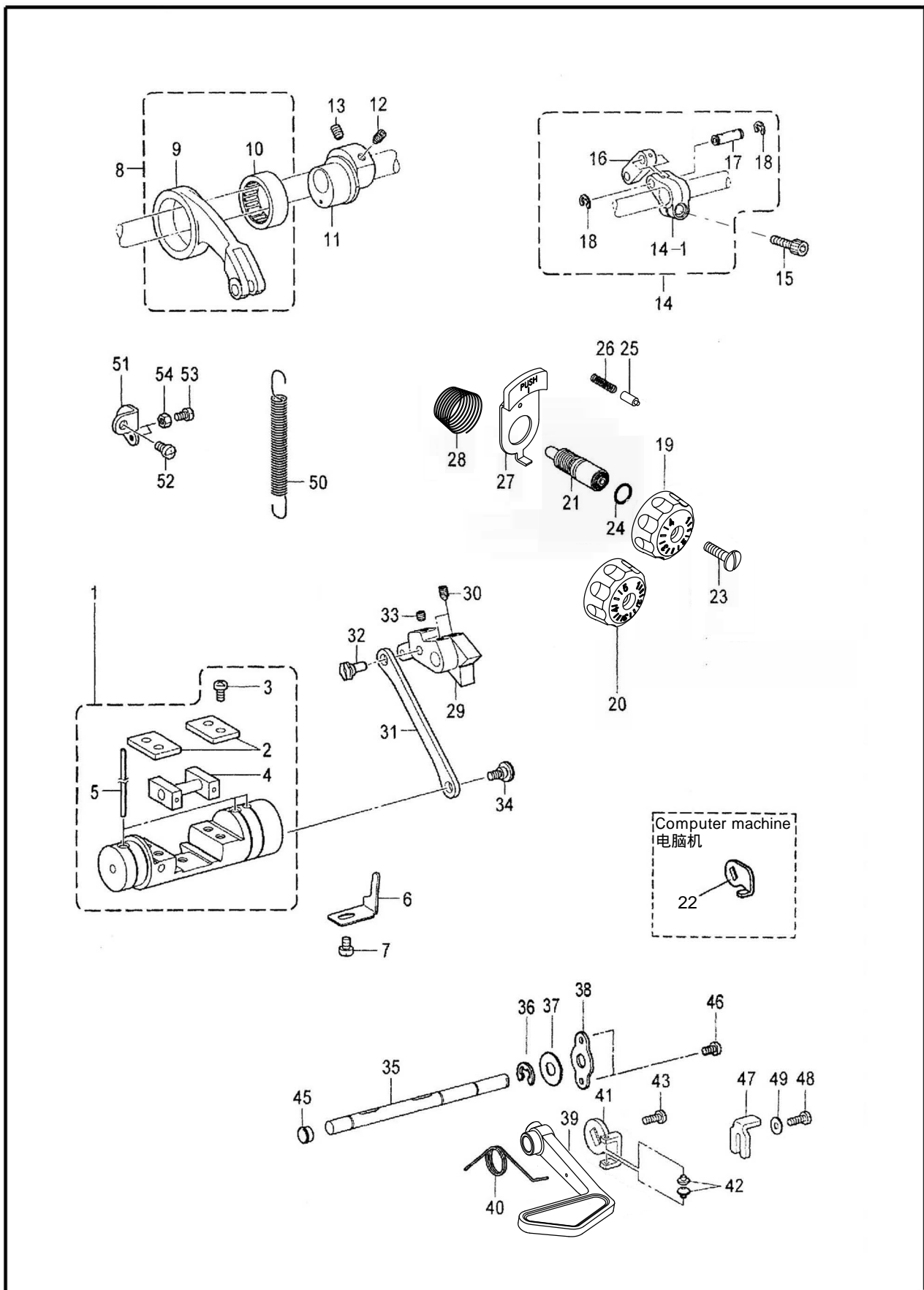
E.压脚部件/Presser foot mechanism



E.压脚部件/Presser foot mechanism

| 序号 No. | 件号 Part No. | 参考件号 Ref.Part No. | 零部件名称 | Name of parts | 数量 Amt. | | 备注 |
|-----------|----------------|----------------------|----------------|------------------------------------|---------|-----|--------|
| | | | | | □□3 | □□5 | |
| 1 | 12903004 | SA2495001 | 压杆轴套 | Presser bar bush | 1 | 1 | |
| 2 | S04028 | 062500816 | 螺钉M5×8 | Screw,pan M5×8 | 1 | 1 | |
| 3 | 123530002 | | 调节螺栓 M14 | Presser adjusting screw M14 | 1 | 1 | |
| 4 | 123516001 | | 调节螺母 M14 | Presser adjusting nut M14 | 1 | 1 | |
| 5 | 12905006 | SA7607001 | 弹簧导杆 | Spring guide | 1 | 1 | |
| 6 | 11627002 | S07346101 | 压紧弹簧 | Presser bar spring,5 | 1 | 1 | |
| 7 | 12902004 | SA2496001 | 压紧杆 | Presser bar | 1 | 1 | |
| 8 | 12905007 | SA2498001 | 压杆抱箍 | Guide bracket,PBAR | 1 | 1 | |
| 9 | 129512001 | S25289001 | 螺栓M6×10 | Bolt,socket M6×10 | 1 | 1 | |
| 10 | 12904002 | SA2499001 | 压杆提升曲柄 | Presser bar lifting crank | 1 | 1 | |
| 11 | 12311007 | S31006001 | 抬压脚扳手 | Lifting lever | 1 | 1 | |
| 12 | 124530009 | S39051001 | 螺钉(带垫圈)M3.5×12 | Screw,pan(s/p w) M3.5×12 | 1 | 1 | |
| 13 | 1291300100 | S07353001 | 松线板组件 | Tension release plate assy | 1 | 1 | 58□□0B |
| | 1291330100 | S07351001 | 松线板组件 | Tension release plate assy | 1 | 1 | 58□□0J |
| 14 | S09018 | 012061832 | 螺钉M6×18 | Set screw,socket(ft)M6×18 | 1 | 1 | |
| 15 | N01012 | 012061832 | 螺母M6 | Nut M6 | 1 | 1 | |
| 16 | 12912010 | SA2501001 | 抬压脚连杆 | Presser bar lifting lever | 1 | 1 | |
| 17 | 12912090 | | 膝控连杆 | Knee lifter connecting rod | 1 | 1 | |
| 18 | 129520001 | SA1179001 | 段螺钉M5 | Shoulder screw,M5 | 1 | 1 | |
| 19 | 11626008 | S07349001 | 膝提前拔销 | Pbar lifting lever shaft | 1 | 1 | |
| 20 | 12908004 | SA2504001 | 紧圈 | Set screw,collar | 1 | 1 | |
| 21 | S09019 | 012500536 | 螺钉M5×5 | Set screw,socket(ft)M5×5 | 2 | 2 | |
| 22 | 12927002 | S07355051 | 弹簧 | Spring extension | 1 | 1 | |
| 23 | S04032 | 062501416 | 螺钉M5×14 | Screw,pan M5×14 | 1 | 1 | |
| 24 | N01017 | 021500106 | 六角螺母M5 | Nut 1 M5 | 1 | 1 | |
| 25 | 12912095 | | 抬压脚后杠杆 | Knee lifter lever | 1 | 1 | |
| 26 | 12912600 | | 膝控顶杆 | Knee lifter bar | 1 | 1 | |
| 27 | 129520001 | SA1179001 | 段螺钉M5 | Shoulder screw,M5 | 1 | 1 | |
| 28 | 129520002 | SA2165001 | 段螺钉M6 | Shoulder screw,M6 | 1 | 1 | |
| 29 | 129520001 | SA1179001 | 段螺钉M5 | Shoulder screw,M5 | 1 | 1 | |
| 30 | 12928016 | S07350001 | 垫圈 | Washer,plain | 1 | 1 | |
| 31 | 1291230100 | S07529001 | 松线连杆组件 | Thread release connecting rod assy | 1 | 1 | |
| 32 | H05002 | 048030342 | 挡圈E3 | Retaining ring ,E3 | 1 | 1 | |
| 33 | 12930301 | SA2677001 | 松线电线 | Tension release wire | 1 | 1 | |
| 34 | 116516006 | | 螺母SM3/16"×32 | Nut SMSM3/16"×32 | 2 | 2 | |
| 35 | 12912302 | SA2678001 | 松线电线夹 | Wire holder | 1 | 1 | |
| 36 | S04028 | 062500816 | 螺钉M5×8 | Screw,pan M5×8 | 2 | 2 | |
| 37 | 12912303 | SA2679001 | 松线电线夹 | Wire holder | 1 | 1 | |
| 38 | S04038 | 062060816 | 螺钉M6×8 | Screw,pan M6×8 | 2 | 2 | |

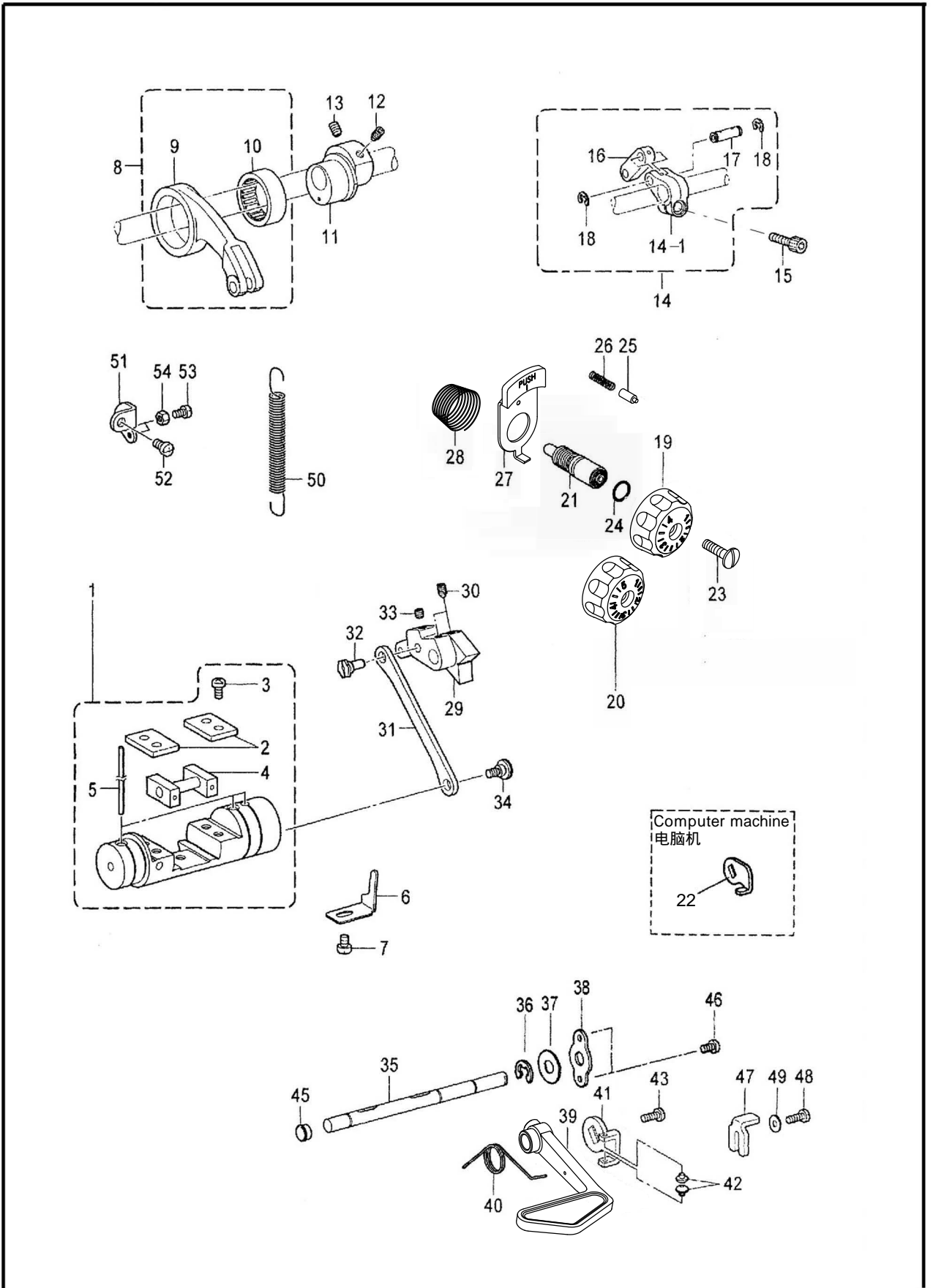
F.送布部件/Feed mechanism



F.送布部件/Feed mechanism

| 序号 No. | 件号 Part No. | 参考件号 Ref.Part No. | 零部件名称 | Name of parts | 数量 Amt. | | 备注 |
|-----------|----------------|----------------------|--------------|-------------------------------|---------|-----|-------------|
| | | | | | □□3 | □□5 | |
| 1 | 1290200500 | SA3062001 | 切换器11组件 | Feed regulator assy,11 | 1 | | 58420 |
| | 1290200500 | SA3062001 | 切换器11组件 | Feed regulator assy,11 | 1 | 1 | 58720/58750 |
| 1 | 1290200600 | SA2509001 | 切换器组件 | Feed regulator assy | | 1 | 58420 |
| | 1290200600 | SA2509001 | 切换器组件 | Feed regulator assy | 1 | 1 | 58450 |
| 2 | 12909003 | SA2511001 | 滑块导向 | Guide plate | 2 | 2 | |
| 3 | S04029 | 062501016 | 螺钉M5×12 | Screw,pan M5×12 | 4 | 4 | |
| 4 | 12909004 | SA2512001 | 滑块组件 | Slide block assy | 1 | 1 | |
| 5 | 12923018 | SA2515001 | 油线 4×4 L=150 | Wick,4×4 L=150 | 1 | 1 | |
| 6 | 12912014 | SA2516001 | 切换器定位 | Stopeer | 1 | 1 | |
| 7 | S04033 | 062060816 | 螺钉M6×8 | Screw,pan M6×8 | 1 | 1 | |
| 8 | 1290500800 | 143611201 | 送布连杆组件 | Frocker connecting rod assy | 1 | 1 | |
| 9 | 12905009 | 143612100 | 送布大连杆 | Feed rocker connecting rod | 1 | 1 | |
| 10 | 11624002 | 118954000 | 滚针轴承 | Needle bearing | 1 | 1 | |
| 11 | 12910001 | SA2518001 | 送布偏心轮5 | Level feed eccentric wheel 5 | 1 | 1 | 58420/58450 |
| | 12910201 | SA2791001 | 送布偏心轮7 | Level feed eccentric wheel 7 | 1 | 1 | 58720/58750 |
| 12 | S10020 | | 螺钉 | Set scre | 1 | 1 | |
| 13 | S10023 | | 倒送料扳手定位螺钉 | Set screw | 1 | 1 | |
| 14 | 1290400800 | | 水平送料臂5组件 | Feed rocker arm5 assy | 1 | 1 | 58420/58450 |
| | 1290400900 | | 水平送料臂7组件 | Feed rocker arm7 assy | 1 | 1 | 58720/58750 |
| 14-1 | 12904003 | SA2521001 | 水平送料臂5 | Feed rocker arm5 | 1 | 1 | 58420/58450 |
| | 12904201 | SA2793001 | 水平送料臂7 | Feed rocker arm7 | 1 | 1 | 58720/58750 |
| 15 | S05078 | 018062032 | 螺栓M6×20 | Bolt,socket M6×20 | 1 | 1 | |
| 16 | 12905010 | 143613051 | 送布小连杆 | Link | 1 | 1 | |
| 17 | 11626010 | 143616001 | 送布曲柄轴 | Shaft | 1 | 1 | |
| 18 | 11629002 | 048060342 | 挡圈E6 | Retaining ring ,E6 | 2 | 2 | |
| 19 | 1231100200 | | 针距标盘4 | Stitch length dial,4 | 1 | | 58420 |
| 20 | 1231100300 | | 针距标盘5 | Stitch length dial,5 | | 1 | 58420 |
| | 1231100300 | | 针距标盘5 | Stitch length dial,5 | 1 | 1 | 58450 |
| | 1231100400 | | 针距标盘7 | Stitch length dial,7 | 1 | 1 | 58720/58750 |
| 21 | 129S30007 | SA3056001 | 调节螺栓 | Feed regulating stud | 1 | 1 | |
| 22 | 12912304 | SA2541001 | 倒缝扳手板 | Reverse stitching lever plate | 1 | 1 | 58□□0J |
| 23 | 101S11022 | | 螺钉SM3/16"×28 | Screw,SMSM3/16"×28 | 1 | 1 | |
| 24 | 10122016 | 108549001 | O形圈 | O Ring | 1 | 1 | |
| 25 | 11426022 | S50098101 | 定位销 | Positioning pin | 1 | 1 | |
| 26 | 11427034 | 100328001 | 止动销弹簧 | Notch spring | 1 | 1 | |
| 27 | 11412079 | | 标盘锁按键 | Dial lock lever | 1 | 1 | |
| 28 | 11427035 | | 弹簧 | Spring | 1 | 1 | |
| 29 | 12909005 | SA2525001 | 送料调节器 5 | Feed regulator 5 | 1 | 1 | 58420/58450 |
| | 12909201 | SA2796001 | 送料调节器 7 | Feed regulator 7 | 1 | 1 | 58720/58750 |
| 30 | S10021 | 016061031 | 紧定螺钉 M6×10 | Set screw,socket(cn)M6×10 | 2 | 2 | |
| 31 | 12905011 | SA2526001 | 切换器连杆 | Connecting rod | 1 | 1 | |
| 32 | 12910002 | SA2527001 | 偏心轴 | Eccentric shaft | 1 | 1 | |
| 33 | S10019 | 012060636 | 螺钉M6×6 | Set screw,socket(ft)M6×6 | 1 | 1 | |
| 34 | 129S20003 | SA2528101 | 段螺钉M6 | Shoulder screw,M6 | 1 | 1 | |
| 35 | 12902007 | SA2529101 | 倒缝手柄轴 TR | Shaft,Rlever TR | 1 | 1 | |
| 36 | 12929003 | 048080342 | 挡圈E8 | Retanining ring ,E8 | 1 | 1 | |
| 37 | 11628003 | 025100132 | 平垫圈S10 | Washer,plain S 10 | 1 | 1 | |
| 38 | 12912017 | SA2530001 | 垫片 | Spacer | 1 | 1 | |
| 39 | 304033 | S07374109 | 倒缝扳手 | Reverse stitching lever | 1 | 1 | |
| 40 | 12927005 | SA2531001 | 弹簧 | Spring | 1 | 1 | |

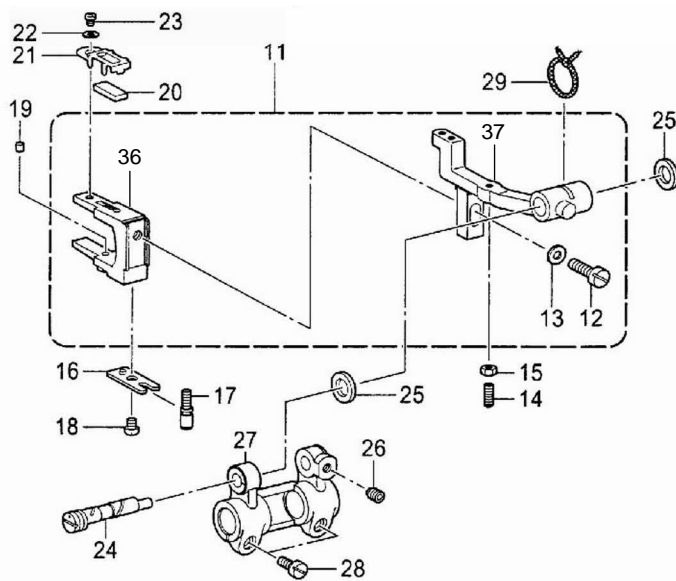
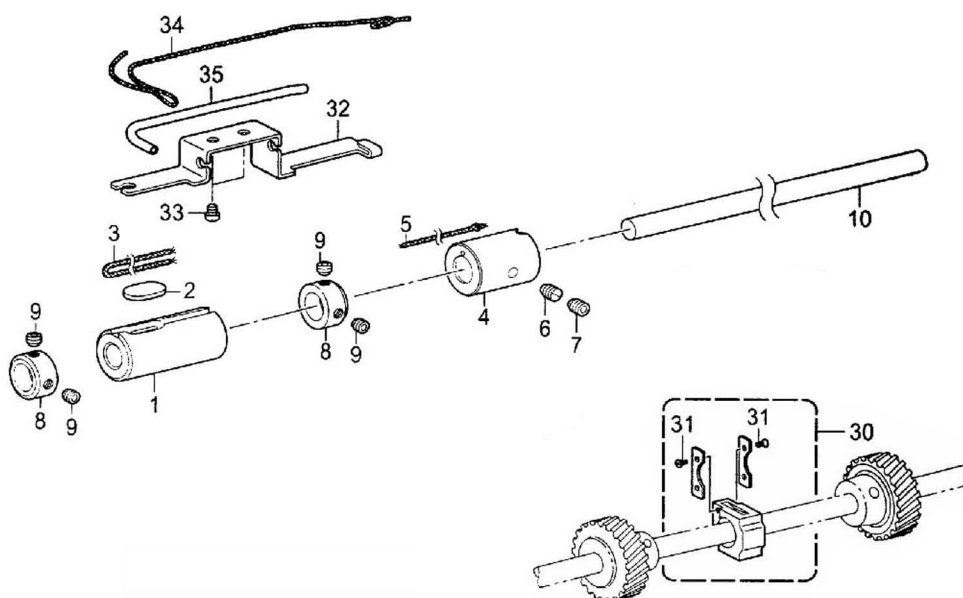
F.送布部件/Feed mechanism



F.送布部件/Feed mechanism

| 序号 No. | 件号 Part No. | 参考件号 Ref.Part No. | 零部件名称 | Name of parts | 数量 Amt. | | 备注 |
|-----------|----------------|----------------------|---------|-----------------------|---------|-----|--------|
| | | | | | □□3 | □□5 | |
| 41 | 12912018 | SA3067001 | 手柄导向 | Lever guide | 1 | 1 | 58□□0B |
| 42 | 12922002 | S48367000 | 导向橡皮 | Rubber | 2 | 2 | 58□□0B |
| 43 | 129S11001 | SA6592001 | 螺钉M5 | Screw,pan M5 | 1 | 1 | |
| 45 | 40122016 | 104821001 | 橡皮塞10.5 | Rubber cap,10.5 | 1 | 1 | |
| 46 | S04028 | 062500816 | 螺钉M5×8 | Screw,pan M5×8 | 2 | 2 | |
| 47 | 12912019 | SA2532001 | 定位器 | Stooper | 1 | 1 | |
| 48 | S04029 | 062501216 | 螺钉M5×12 | Screw,pan M5×12 | 1 | 1 | |
| 49 | 12928018 | 025050236 | 平垫圈M5 | Washer,plain M5 | 1 | 1 | |
| 50 | 12927006 | S07376001 | 调节器弹簧 | Feed regulator spring | 1 | 1 | |
| 51 | 12912020 | SA2533001 | 弹簧挂钩 | Spring hook | 1 | 1 | |
| 52 | S04038 | 062060816 | 螺钉M6×10 | Screw,pan M6×10 | 1 | 1 | |
| 53 | S04029 | 062501216 | 螺钉M5×12 | Screw,pan M5×12 | 1 | 1 | |
| 54 | N01017 | 021500106 | 六角螺母M5 | Nut 1 M5 | 1 | 1 | |

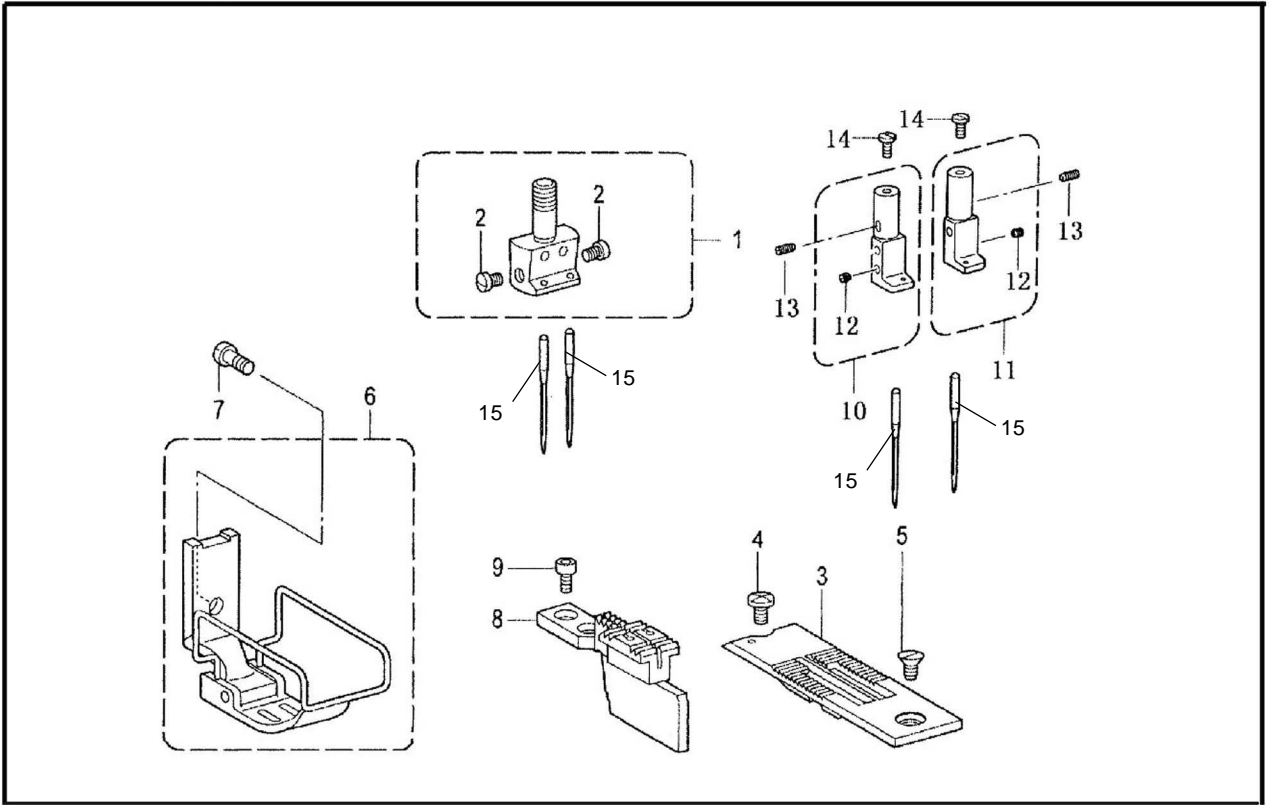
G.送布轴部件/Feed shaft mechanism



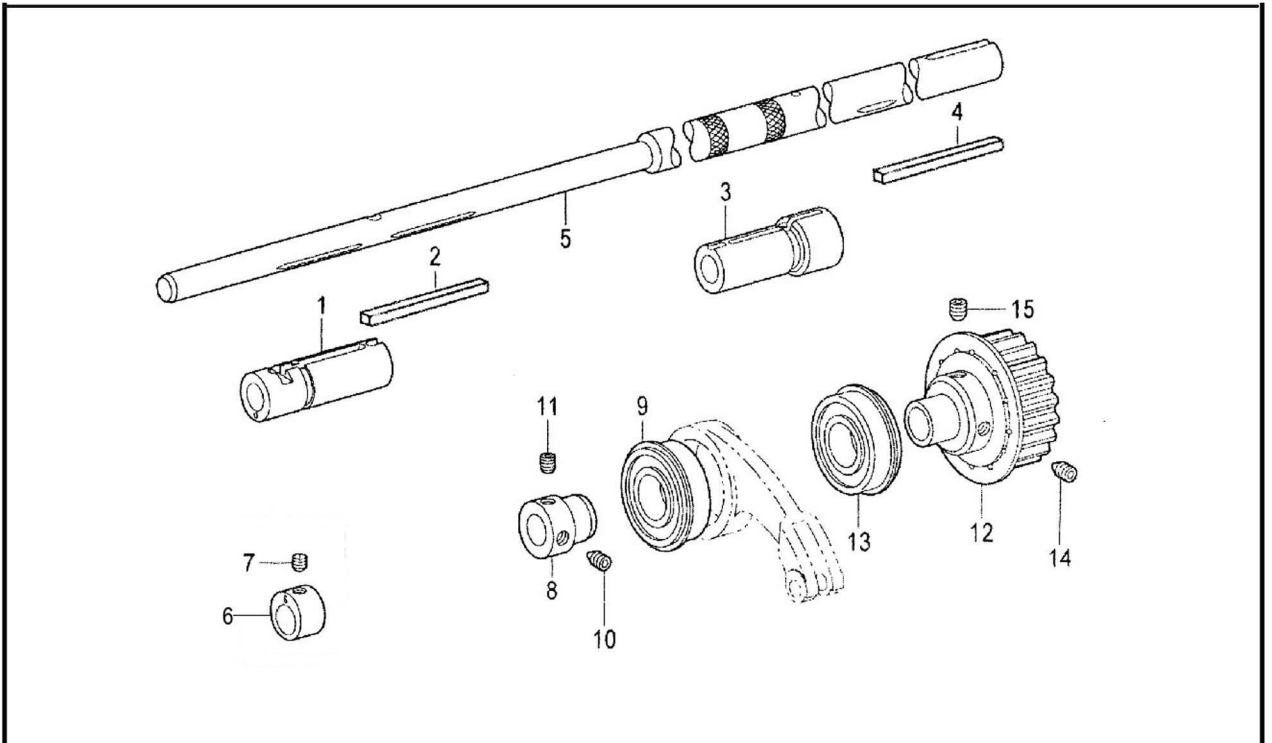
G.送布轴部件/Feed shaft mechanism

| 序号 No | 件号 Part No. | 参考件号 Ref.Part No. | 零部件名称 | Name of parts | 数量 Amt. | | 备注 |
|----------|----------------|----------------------|-----------------|------------------------------|---------|-----|--------|
| | | | | | □□3 | □□5 | |
| 1 | 12903005 | SA3855001 | 送布轴套L | Bush,l:frocker shaft | 1 | 1 | |
| 2 | 12923005 | SA3965001 | 油毡 | Felt | 1 | 1 | |
| 3 | 12923018 | SA4028001 | 油线 4×4 L=120 | Wick,4×4 L=120 | 1 | 1 | |
| 4 | 12903006 | SA2543001 | 送布轴套R | Feed rocker shaft bush,R | 1 | 1 | |
| 5 | 12923018 | 108802001 | 油线 4×4 L=250 | Wick,4×4 L=250 | 1 | 1 | |
| 6 | S10022 | SA2544001 | 紧定螺钉 M6×8 | Set screw M6×8 | 1 | 1 | |
| 7 | S10019 | 012060636 | 螺钉M6×6 | Set screw,socket M6×6 | 1 | 1 | |
| 8 | 12908005 | SA2546001 | 紧圈 | Set screw collar | 2 | 2 | |
| 9 | S10018 | S23651001 | 紧定螺钉M6×0.75 L=6 | Set screw,socket M6×0.75 L=6 | 4 | 4 | |
| 10 | 12902008 | SA3840001 | 送布轴 | Feed rocker shaft | 1 | 1 | |
| 11 | 1290700200 | | 送布台叉组件 ST | Feed bar st fork assy | 1 | 1 | 58□□0B |
| | 1290720100 | SA6150101 | 送布台叉组件 TR | Feed bar tr fork assy | 1 | 1 | 58□□0J |
| 12 | 207S11006 | SA2927001 | 螺钉 M6×14 | Screw, M6×14 | 1 | 1 | |
| 13 | 11628005 | 025060132 | 平垫圈S6 | Washer,plain S 6 | 1 | 1 | |
| 14 | S07005 | SA2566001 | 螺钉M3.5×12 | Set screw M3.5×12 | 1 | 1 | |
| 15 | N01016 | 021350106 | 螺母M3.5 | Nut 1 M3.5 | 1 | 1 | |
| 16 | 12912021 | SA2553001 | 开叉板 | Forked plate | 1 | 1 | |
| 17 | 129S30010 | SA2554001 | 调整螺栓 | Adusting screw,height | 1 | 1 | |
| 18 | S04035 | 062400616 | 螺钉M4×6 | Screw,pan M4×6 | 1 | 1 | |
| 19 | 12923006 | SA3990001 | 油毡 | Flat | 2 | 2 | |
| 20 | 12923007 | SA3887001 | 油毡 | Flat | 1 | 1 | |
| 21 | 12912022 | SA3888001 | 油毡压架 | Flat holder | 1 | 1 | |
| 22 | 12928019 | 025030132 | 平垫圈S3 | Washer,plain S 3 | 1 | 1 | |
| 23 | S04036 | 062300416 | 螺钉M3×4 | Screw,pan M3×4 | 1 | 1 | |
| 24 | 12910003 | SA2550001 | 送布台安装轴 | Feed bar shaft | 1 | 1 | |
| 25 | 12928003 | SA2551001 | 轴向垫圈 | Thrust ring | 2 | 2 | |
| 26 | S10019 | 012060636 | 螺钉M6×6 | Set screw,socket(ft)M6×6 | 1 | 1 | |
| 27 | 12904004 | SA2555001 | 水平送布台臂 | Feed rocker base arm | 1 | 1 | |
| 28 | S01059 | SA2928001 | 螺钉M5×13 | Screw,M5×13 | 2 | 2 | |
| 29 | 12923018 | SA4538001 | 油线 4×4 L=180 | Wick,4×4 L=180 | 1 | 1 | |
| 30 | 1290900600 | SA2806001 | 角滑块组件 | Feed bar slide block assy | 1 | 1 | |
| 31 | S02018 | SA6308001 | 螺钉M2×4 | Screw,flat M2×4 | 4 | 4 | |
| 32 | 12912023 | SA4009001 | 油线支架 | Wick support | 1 | 1 | |
| 33 | S04035 | 062400616 | 螺钉M4×6 | Screw,pan M4×6 | 2 | 2 | |
| 34 | 12923018 | SA2724001 | 油线4×4 L=400 | Wick,4×4 L=400 | 1 | 1 | |
| 35 | 12921002 | SA4011001 | 维尼龙油管 L=100 | Oil tube,L=100 | 1 | 1 | |
| 36 | 12905012 | | 送布台叉 | Feed bar fork | 1 | 1 | |
| 37 | 12907001 | | 送布ST | Feed bar , st | 1 | 1 | 58□□0B |
| | 12907202 | | 送布TR | Feed bar , tr | 1 | 1 | 58□□0J |

H. 针位部件/Gauge parts



I. 下轴部件/Lower shaft mechanism

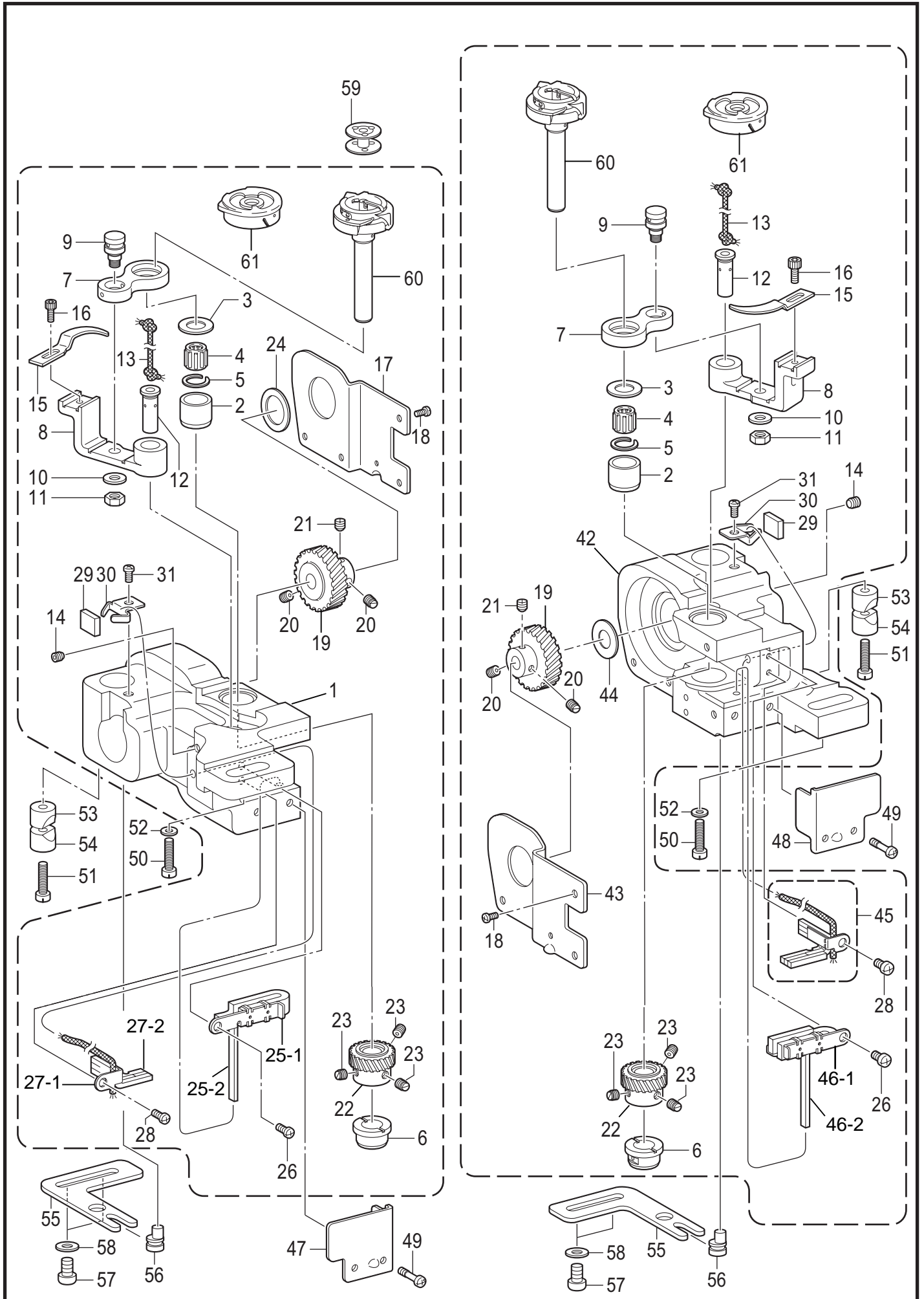


H.针位部件/Gauge parts

| 序号 No. | 件号 Part No. | 参考件号 Ref.Part No. | 零部件名称 | Name of parts | 数量 Amt. | | 备注 |
|---|----------------|----------------------|----------------------|------------------------------|---------|-----|-------------|
| | | | | | □□3 | □□5 | |
| 1 | ★ | | 针夹组件 | Needle clamp assy | 1 | 1 | 58□20□ |
| 2 | 116S11012 | 116323001 | 螺钉SM9/64"×40 L=4 | Screw,SMSM9/64"×40 L=4 | 2 | 2 | 58420/58720 |
| 3 | ★ | | 针板 | Needle plate | 1 | 1 | |
| 4 | 129S30014 | S11244001 | 针板螺钉SM11/64"×40 L=7 | ScrewSM11/64"×40 L=7 | 1 | 1 | |
| 5 | 104S17002 | | 平头螺钉SM11/64"×40 L=8 | Screw,flatSM11/64"×40 L=8 | 1 | 1 | 58420B系列 |
| | 1123NS17001 | | 针板螺钉SM11/64"×40 L=12 | ScrewSM11/64"×40 L=12 | 1 | 1 | 58420J系列 |
| 6 | ★ | | 压脚组件 | Presser foot assy | 1 | 1 | |
| 7 | 129S11010 | 113050001 | 螺钉SM9/64×44" L=9 | Screw,SM9/64×44" L=9 | 1 | 1 | |
| 8 | ★ | | 送布牙 | Feed dog | 1 | 1 | |
| 9 | 129S13002 | S07494001 | 螺钉SM1/8×44" L=7 | Screw,w/socket SM1/8×44" L=7 | 2 | 2 | |
| 10 | ★ | | 针夹组件L | Needle clamp assy,L | 1 | 1 | 58□50□ |
| 11 | ★ | | 针夹组件R | Needle clamp assy,R | 1 | 1 | 58□50□ |
| 12 | 129S15006 | 013660412 | 螺钉SM1/8"×40 L=4 | Screw,SM1/8"×40 L=4 | 2 | 2 | 58450/58750 |
| 13 | 129S15007 | S13085001 | 螺钉SM1/8"×40 L=5.5 | Screw,SM1/8"×40 L=5.5 | 2 | 2 | 58450/58750 |
| 14 | 117S11023 | 149831101 | 螺钉SM1/8"×40 L=7 | Screw,SM1/8"×40 L=7 | 2 | 2 | 58450/58750 |
| 15 | 11617002 | | 机针DP×5 (#14) | Needle ,DP×5 | 2 | | |
| | 10117002 | | 机针DP×5 (#21) | Needle ,DP×5 | | 2 | |
| ★参考针位组零件明细表/★Reference gauge parts list | | | | | | | |

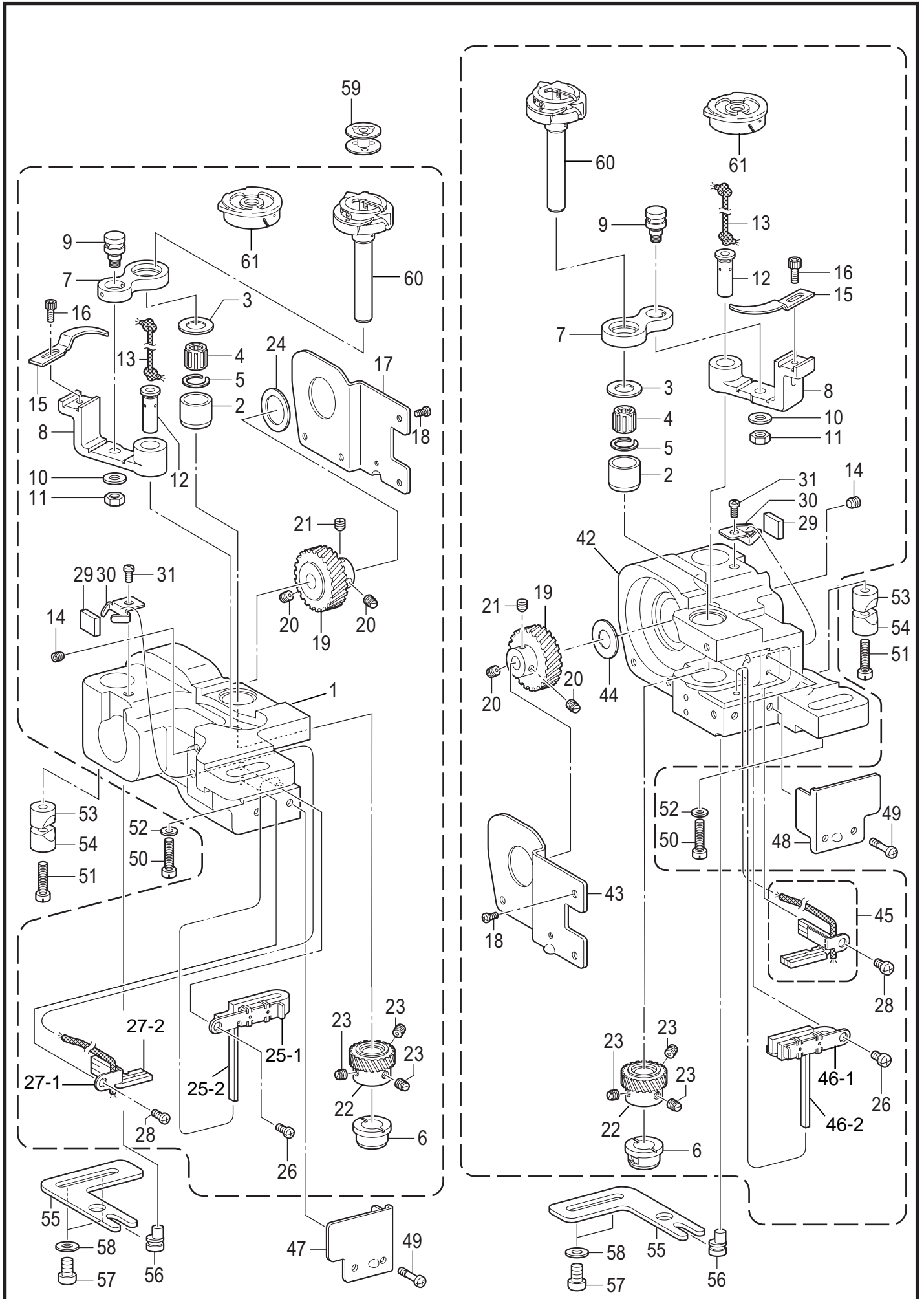
I.下轴部件/Lower shaft mechanism

| No. | 件号 Part No. | 参考件号 Ref.Part No. | 零部件名称 | Name of parts | 数量 Amt. | | 备注 |
|-----|----------------|----------------------|------------------|--------------------------------|---------|-----|--------|
| | | | | | □□3 | □□5 | |
| 1 | 12903011 | SA3890001 | 旋梭基座轴套L | Rotary hook base bush,L | 1 | 1 | |
| 2 | 12923023 | SA4585001 | 油毡 | Felt | 1 | 1 | |
| 3 | 12303001 | | 旋梭基座轴套R | Rotary hook base bush,R | 1 | 1 | 58□□0J |
| | 12903012 | SA3891001 | 旋梭基座轴套R | Rotary hook base bush,R | 1 | 1 | 58□□0B |
| 4 | 12923023 | SA4585001 | 油毡 | Felt | 1 | 1 | |
| 5 | 12902010 | SA2571001 | 下轴 | Lower shaft | 1 | 1 | |
| 6 | 12910005 | SA2759001 | 抬牙凸轮 | F-lifting eccentric wheel assy | 1 | 1 | 58□□0B |
| | 12910302 | SA2580101 | 抬牙凸轮 | F-lifting eccentric wheel assy | 1 | 1 | 58□□0J |
| 7 | S07004 | SA2575001 | 螺钉M6×0.75 L=6 | Set screw,(ft)M6×0.75 L=6 | 1 | 1 | |
| 8 | 12903013 | SA2584001 | 轴承套 | Ball bearing bush | 1 | 1 | |
| 9 | B10002 | S38707001 | 球轴承 6004ZZNR | Ball bearing,thrust 6004ZZNR | 1 | 1 | |
| 10 | S10020 | SA2585001 | 固定螺钉M6×0.75 L=10 | Screw,socket(ft)M6×0.75 L=10 | 1 | 1 | |
| 11 | S09017 | S23651001 | 固定螺钉M6×0.75 L=10 | Screw,socket(ft)M6×0.75 L=10 | 1 | 1 | |
| 12 | 12935004 | SA2587101 | 同步轮D组件 | Timing pulley assy,D | 1 | 1 | |
| 13 | B10009 | 158115001 | 球轴承 6204ZZNR | Ball bearing,thrust 6204ZZNR | 1 | 1 | |
| 14 | S10020 | SA2585001 | 固定螺钉M6×0.75 L=10 | Screw,socket(ft)M6×0.75 L=10 | 1 | 1 | |
| 15 | S10023 | SA4213001 | 固定螺钉M6×0.75 L=10 | Screw,socket(CP)M6×0.75 L=10 | 1 | 1 | |



J1.旋梭部件/Rotary hook mechanism(58 0B)

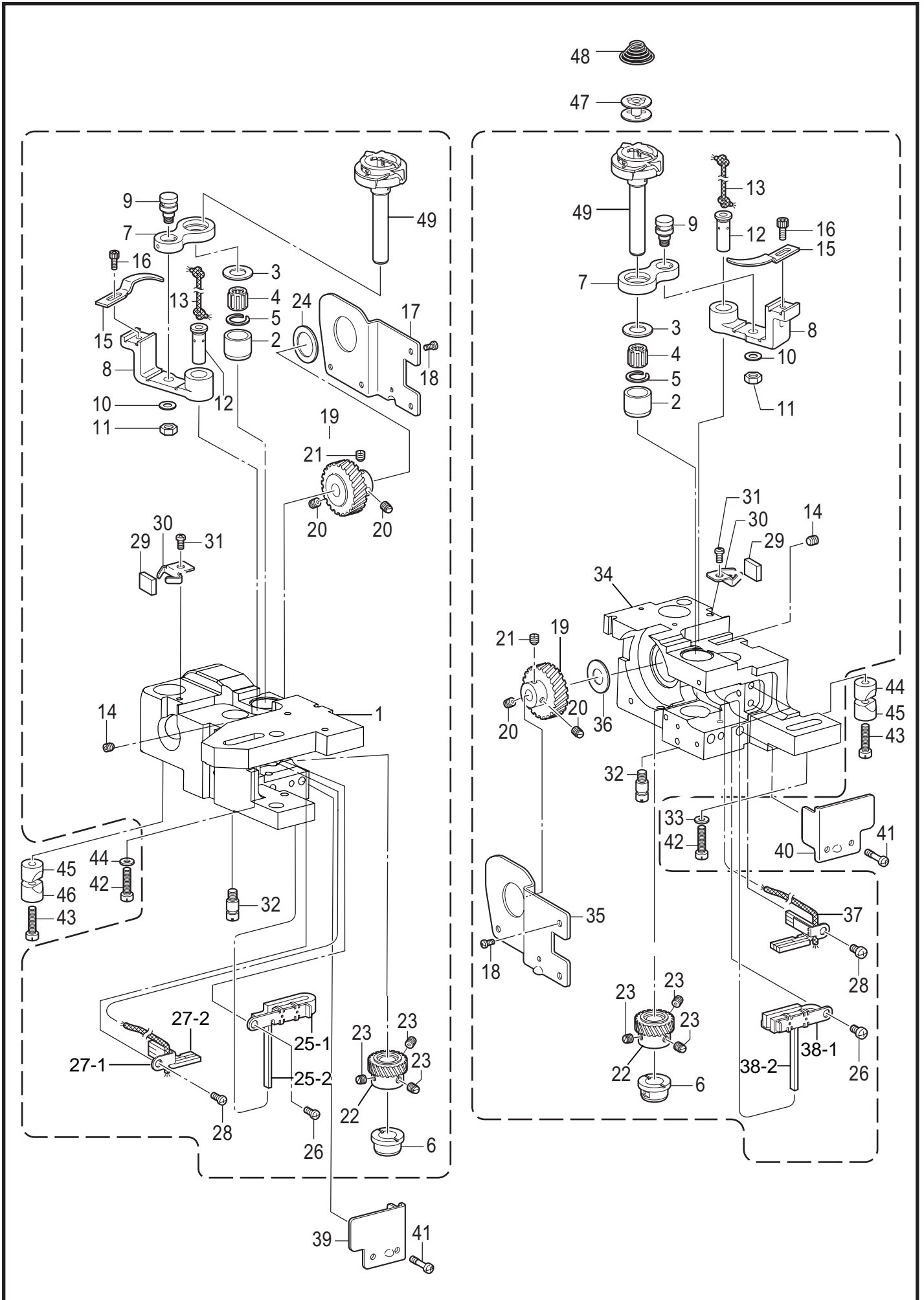
| 序号 No. | 件号 Part No. | 参考件号 Ref.Part No. | 零部件名称 | Name of parts | 数量 Amt. | | 备注 |
|-----------|----------------|----------------------|---------------|----------------------------|---------|-----|---------------|
| | | | | | □□3 | □□5 | |
| 1 | 12918008 | SA2955001 | 梭架(左) | Rotary hook base(L) | 1 | 1 | 58420B/58450B |
| | 12918201 | SA2959001 | 梭架(左) | Rotary hook base(L) | 1 | 1 | 58720B/58750B |
| 2 | 11603011 | SA4029001 | 旋轴上轴套 | Rotary hook shaft bush | 2 | 2 | 58420B/58450B |
| | 11803001 | S09259001 | 旋轴上轴套 | Rotary hook shaft bush | 2 | 2 | 58720B/58750B |
| 3 | 12928004 | S09260001 | 轴向垫圈A 1.2MM | Thrust ring,A:1.2MM<t=1.2> | 2 | 2 | |
| | 12928005 | SA4038001 | 轴向垫圈1.0MM | Thrust ring<t=1.0> | 2 | 2 | |
| | 12928006 | S09261001 | 轴向垫圈B 1.4MM | Thrust ring,B:1.4MM<t=1.4> | 2 | 2 | |
| | 12928007 | SA4444001 | 轴向垫圈B 0.8MM | Thrust ring,0.8MM<t=0.8> | 2 | 2 | |
| 4 | 11624004 | S07420000 | 滚针轴承 | Needle bearing | 2 | 2 | |
| 5 | 11629004 | S07419001 | 梭轴上轴挡圈 | Retaining ring | 2 | 2 | |
| 6 | 12903008 | SA6474001 | 旋梭轴套D | Rotary hook shaft bush | 2 | 2 | |
| 7 | 12905013 | SA3856001 | 分线钩连杆 | Opener link | 2 | 2 | 58420B/58450B |
| | 12905303 | SA3857001 | 分线钩连杆 | Opener link | 2 | 2 | 58720B/58750B |
| 8 | 12905014 | SA3859001 | 分线钩杆 | Opener lever | 2 | 2 | 58420B/58450B |
| | 12905304 | SA3861001 | 分线钩杆 | Opener lever | 2 | 2 | 58720B/58750B |
| 9 | 12902009 | SA2560001 | 分线钩连杆轴 | Shaft,Olink | 2 | 2 | |
| 10 | 12928008 | 025710132 | 平垫圈 | Washer,plain | 2 | 2 | |
| 11 | N01017 | 021500316 | 六角螺母M5 | Nut3 M5 | 2 | 2 | |
| 12 | 12926009 | SA3889101 | 分线钩杆短轴 | Olever shaft | 2 | 2 | |
| 13 | 12923018 | SA4026001 | 油线 4×4 L=100 | Wick,4×4L=100 | 2 | 2 | |
| 14 | S09019 | 012501031 | 螺钉M5×5 | Set screw,socket(ft)M5×5 | 2 | 2 | |
| 15 | 11612014 | S38212001 | 分线钩 | Opener | 2 | 2 | |
| 16 | 129513003 | 154965001 | 螺钉SM3.57×8 | Bolt,socket SM3.75×8 | 2 | 2 | |
| 17 | 12912024 | SA2562201 | 旋梭基座盖L | Rotary hook base cover,L | 1 | 1 | |
| 18 | S04037 | 062300612 | 螺钉M3×6 | Screw,pan M3×6 | 8 | 8 | |
| 19 | 12925003 | SA2572001 | 螺旋齿轮(大) | Spiral gear | 2 | 2 | |
| 20 | S08007 | SA2574001 | 螺钉M6×0.75 L=5 | Set screw,(ft)M6×0.75 L=5 | 4 | 4 | |
| 21 | S07009 | SA2575001 | 螺钉M6×0.75 L=6 | Set screw,(ft)M6×0.75 L=6 | 2 | 2 | |
| 22 | 12925004 | SA6301001 | 螺旋齿轮(小) | Spiral gear | 2 | 2 | |
| 23 | S10063 | SA2574001 | 螺钉M6×0.75 L=5 | Set screw,(ft)M6×0.75 L=5 | 6 | 6 | |
| 24 | 12928009 | SA3054001 | 垫圈 L | Thrust washer,L | 1 | 1 | |
| 25-1 | 12912053 | | 左下油毡架 | Felt support | 1 | 1 | |
| 25-2 | 12923032 | SA6424101 | 左下齿轮油毡 | Felt | 1 | 1 | |
| 26 | S04035 | 062400616 | 螺钉M4×6 | Screw,pan M4×6 | 2 | 2 | |
| 27-1 | 12912054 | | 油毡架 | Felt support | 1 | 1 | |
| 27-2 | 12923016 | SA4044001 | 油毡 | Felt | 2 | 2 | |
| 28 | S04035 | 062400616 | 螺钉M4×6 | Screw,pan M4×6 | 2 | 2 | |
| 29 | 12923008 | SA4012001 | 油毡 | Felt | 2 | 2 | |
| 30 | 12912027 | SA3894001 | 油毡架 | Felt support | 2 | 2 | |
| 31 | S04035 | 062400616 | 螺钉M4×6 | Screw,pan M4×6 | 2 | 2 | |
| 42 | 12918009 | SA3956001 | 梭架(右) | Rotary hook base(R) | 1 | 1 | 58420B/58450B |
| | 12918202 | SA3960001 | 梭架(右) | Rotary hook base(R) | 1 | 1 | 58720B/58750B |
| 43 | 12912028 | SA2563301 | 旋梭基座盖R | Rotary hook base cover,R | 1 | 1 | 58□□0B |
| 44 | 12928010 | SA2579001 | 垫圈 | Specer | 1 | 1 | |
| 45 | 12912052 | SA6425101 | 油毡架UR | Felt support UR | 1 | 1 | |
| 46-1 | 12912055 | | 右下油毡架 | Felt support DR | 1 | 1 | |
| 46-2 | 12923015 | | 右下齿轮油毡 | Felt | 1 | 1 | |



J1.旋梭部件/Rotary hook mechanism(58 OJ-B)

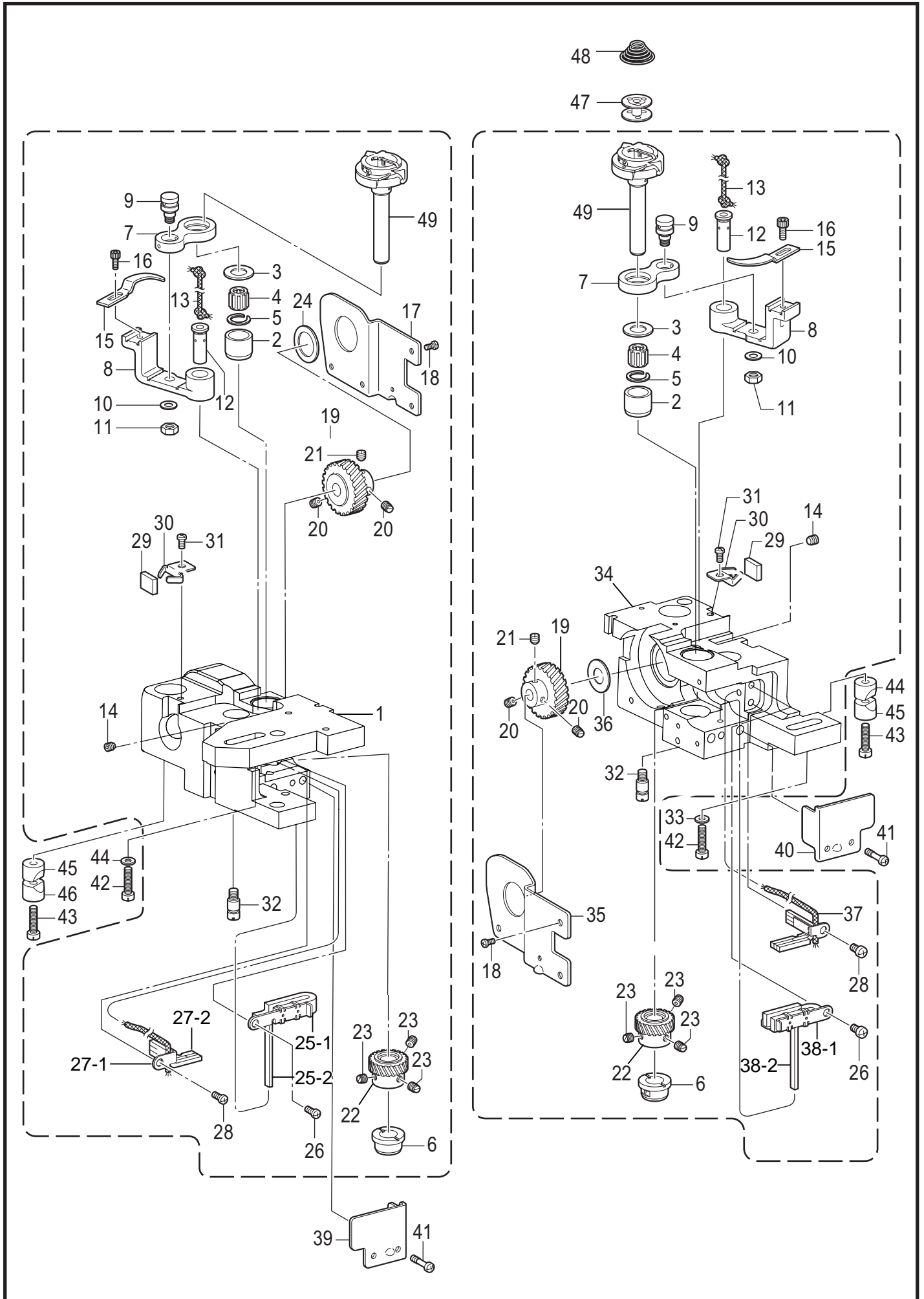
| 序号 No. | 件号 Part No. | 参考件号 Ref.Part No. | 零部件名称 | Name of parts | 数量 Amt. | | 备注 |
|-----------|-----------------|----------------------|----------|--------------------------------|---------|-----|-------------|
| | | | | | □□3 | □□5 | |
| 47 | 12912031 | SA6462001 | 旋梭基座盖FL | Rotary hook base cover,FL | 1 | 1 | |
| 48 | 12912032 | SA6463001 | 旋梭基座盖FR | Rotary hook base cover,FR | 1 | 1 | |
| 49 | 129S30011 | SA6417001 | 螺钉M4×12 | Screw,M4×12 | 4 | 4 | |
| 50 | 129S11003 | SA2556001 | 螺钉M6×25 | Screw,M6×25 | 2 | 2 | |
| 51 | 129S11003 | SA2556001 | 螺钉M6×25 | Screw,M6×25 | 2 | 2 | |
| 52 | 20628003 | 115947101 | 主轴右垫片 | Washer,plain 6.35 | 2 | 2 | |
| 53 | 12903009 | SA2722001 | 套管A | Pinch sleeve A | 2 | 2 | |
| 54 | 12903010 | SA2565001 | 套管B | Pinch sleeve B | 2 | 2 | |
| 55 | 12912033 | SA2567001 | 调节板 | Needle upper positioning plate | 2 | 2 | 58□□0B |
| 56 | 12910004 | SA2568001 | 调节轴 | Needle upper positioning shaft | 2 | 2 | 58□□0B |
| 57 | S04038 | 062061016 | 螺钉M6×10 | Screw,pan M6×10 | 4 | 4 | 58□□0B |
| 58 | 12928018 | | 平垫圈S6 | Washer,plain S6 | 4 | 4 | 58□□0B |
| 59 | 11618001 | S01928151 | 梭芯 | Bobbin | 2 | 2 | 58420/58450 |
| | 11818001 | S09285051 | 梭芯 | Bobbin | 2 | 2 | 58720/58750 |
| 60 | 1291800600 | | 旋梭组件 | Rotary hook assy | 2 | | 58420B-003 |
| | 1291800700 | | 旋梭组件 | Rotary hook assy | | 2 | 58420B-005 |
| | 1161800400 | | 旋梭组件(国产) | Rotary hook assy(C) | 2 | 2 | 58420B-C |
| | 1171800100 | | 旋梭组件 | Rotary hook assy | 2 | 2 | 58450B |
| | 1291802600 | | 旋梭组件(国产) | Rotary hook assy(C) | 2 | 2 | 58450B-C |
| | 1181800200 | | 旋梭组件 | Rotary hook assy | 2 | 2 | 58720B |
| | 1291802700 | | 旋梭组件(国产) | Rotary hook assy(C) | 2 | 2 | 58720B-C |
| | 1291801300 | | 旋梭组件 | Rotary hook assy | 2 | 2 | 58750B |
| | 1191800400 | | 旋梭组件(国产) | Rotary hook assy(C) | 2 | 2 | 58750B-C |
| 61 | 12918029 | | 梭心套(国产) | Bobbin case assy(C) | 2 | 2 | 58450B-C |
| | 12918030 | | 梭心套(国产) | Bobbin case assy(C) | 2 | 2 | 58750B-C |

※序号 C表示国产旋梭



J2.旋梭部件/Rotary hook mechanism(58 0J)

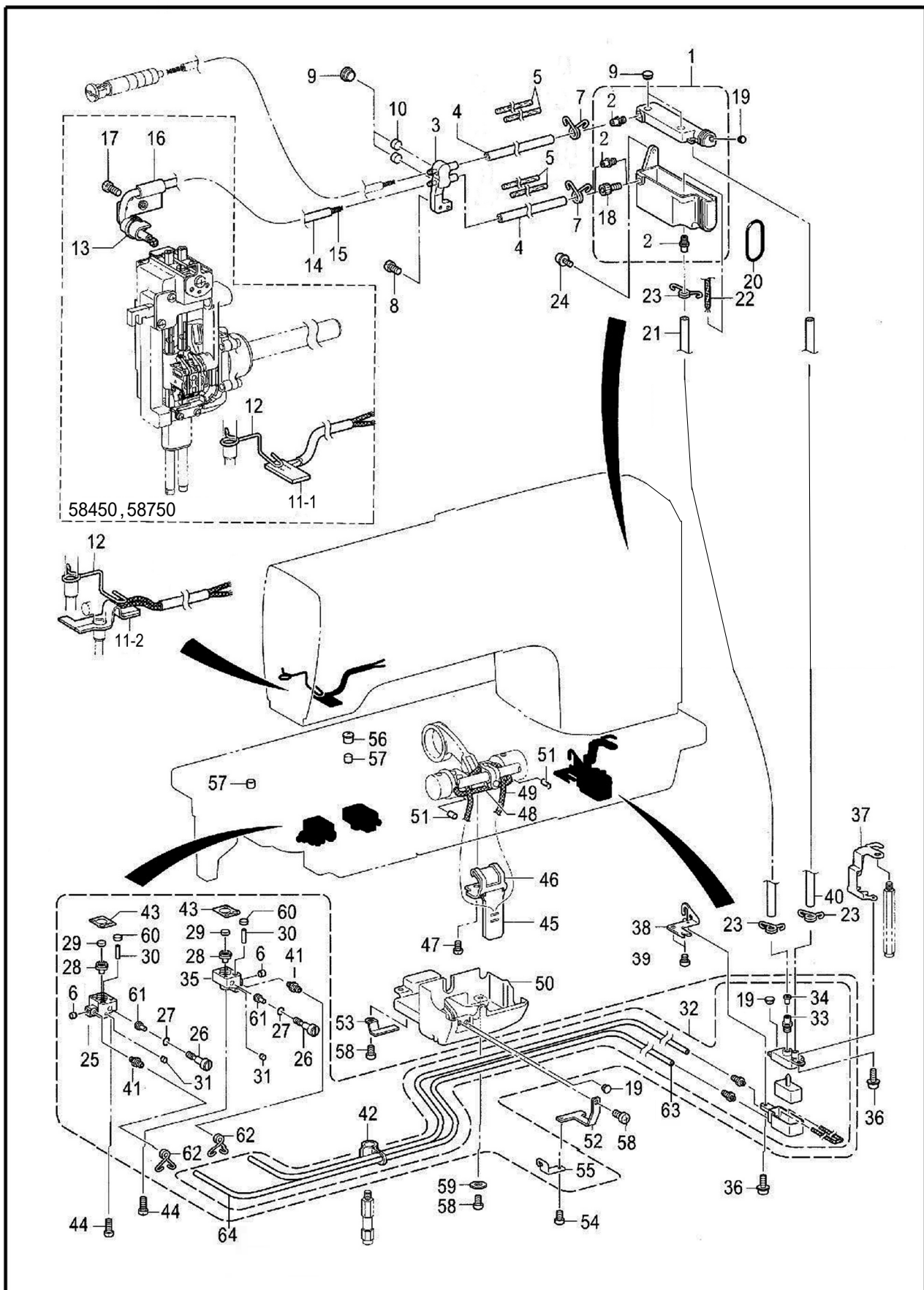
| 序号 No. | 件号 Part No. | 参考件号 Ref.Part No. | 零部件名称 | Name of parts | 数量 Amt. | | 备注 |
|-----------|----------------|----------------------|---------------|----------------------------|---------|-----|---------------|
| | | | | | □□3 | □□5 | |
| 1 | 12301006 | | 梭架(左) | Rotary hook base(L) | 1 | 1 | 58420J/58450J |
| | 12301008 | | 梭架(左) | Rotary hook base(L) | 1 | 1 | 58720J/58750J |
| 2 | 11603011 | SA4029001 | 旋轴上轴套 | Rotary hook shaft bush | 2 | 2 | 58420J/58450J |
| | 11803001 | S09259001 | 旋轴上轴套 | Rotary hook shaft bush | 2 | 2 | 58720J/58750J |
| 3 | 12928004 | S09260001 | 轴向垫圈A 1.2MM | Thrust ring,A:1.2MM<t=1.2> | 2 | 2 | |
| | 12928005 | SA4038001 | 轴向垫圈1.0MM | Thrust ring<t=1.0> | 2 | 2 | |
| | 12928006 | S09261001 | 轴向垫圈B 1.4MM | Thrust ring,B:1.4MM<t=1.4> | 2 | 2 | |
| | 12928007 | SA4444001 | 轴向垫圈B 0.8MM | Thrust ring,0.8MM<t=0.8> | 2 | 2 | |
| 4 | 11624004 | S07420000 | 滚针轴承 | Needle bearing | 2 | 2 | |
| 5 | 11629004 | S07419001 | 梭轴上轴挡圈 | Retaining ring | 2 | 2 | |
| 6 | 12903008 | SA6474001 | 旋梭轴套D | Rotary hook shaft bush | 2 | 2 | |
| 7 | 12905013 | SA3856001 | 分线钩连杆 | Opener link | 2 | 2 | 58420J/58450J |
| | 12905303 | SA3857001 | 分线钩连杆 | Opener link | 2 | 2 | 58720J/58750J |
| 8 | 12905014 | SA3859001 | 分线钩杆 | Opener lever | 2 | 2 | 58420J/58450J |
| | 12905304 | SA3861001 | 分线钩杆 | Opener lever | 2 | 2 | 58720J/58750J |
| 9 | 12902009 | SA2560001 | 分线钩连杆轴 | Shaft,Olink | 2 | 2 | |
| 10 | 12928008 | 025710132 | 平垫圈 | Washer,plain | 2 | 2 | |
| 11 | N01017 | 021500316 | 六角螺母M5 | Nut3 M5 | 2 | 2 | |
| 12 | 12926009 | SA3889101 | 分线钩杆短轴 | Olever shaft | 2 | 2 | |
| 13 | 12923018 | SA4026001 | 油线 4×4 L=100 | Wick,4×4L=100 | 2 | 2 | |
| 14 | S09019 | 012501031 | 螺钉M5×5 | Set screw,socket(ft)M5×5 | 2 | 2 | |
| 15 | 11612014 | S38212001 | 分线钩 | Opener | 2 | 2 | |
| 16 | 129S13003 | 154965001 | 螺钉SM3.57×8 | Bolt,socket SM3.75×8 | 2 | 2 | |
| 17 | 12912024 | SA2562201 | 旋梭基座盖L | Rotary hook base cover,L | 1 | 1 | |
| 18 | S04037 | 062300612 | 螺钉M3×6 | Screw,pan M3×6 | 8 | 8 | |
| 19 | 12925003 | SA2572001 | 螺旋齿轮(大) | Spiral gear | 2 | 2 | |
| 20 | s08007 | SA2574001 | 螺钉M6×0.75 L=5 | Set screw,(ft)M6×0.75 L=5 | 4 | 4 | |
| 21 | S07009 | SA2575001 | 螺钉M6×0.75 L=6 | Set screw,(ft)M6×0.75 L=6 | 2 | 2 | |
| 22 | 12925004 | SA6301001 | 螺旋齿轮(小) | Spiral gear | 2 | 2 | |
| 23 | S10063 | SA2574001 | 螺钉M6×0.75 L=5 | Set screw,(ft)M6×0.75 L=5 | 6 | 6 | |
| 24 | 12928009 | SA3054001 | 垫圈 L | Thrust washer,L | 1 | 1 | |
| 25-1 | 12912053 | | 左下油毡架 | Felt support | 1 | 1 | |
| 25-2 | 12923032 | SA6424101 | 左下齿轮油毡 | Felt | 1 | 1 | |
| 26 | S04035 | 062400616 | 螺钉M4×6 | Screw,pan M4×6 | 2 | 2 | |
| 27-1 | 12912054 | | 油毡架 | Felt support | 1 | 1 | |
| 27-2 | 12923016 | SA4044001 | 油毡 | Felt | 2 | 2 | |
| 28 | S04035 | 062400616 | 螺钉M4×6 | Screw,pan M4×6 | 2 | 2 | |
| 29 | 12923008 | SA4012001 | 油毡 | Felt | 2 | 2 | |
| 30 | 12912027 | SA3894001 | 油毡架 | Felt support | 2 | 2 | |
| 31 | S04035 | 062400616 | 螺钉M4×6 | Screw,pan M4×6 | 2 | 2 | |
| 32 | 129S20301 | SA2717001 | 定位螺钉 | Stopper screw | 2 | 2 | 58420J |
| 33 | 20628003 | 115947101 | 主轴右垫片 | Washer,plain 6.35 | 2 | 2 | |



J2.旋梭部件/Rotary hook mechanism(58□□0J-E)

| 序号 No. | 件号 Part No. | 参考件号 Ref.Part No. | 零部件名称 | Name of parts | 数量 Amt. | | 备注 |
|-----------|----------------|----------------------|---------|---------------------------|---------|-----|-----------------|
| | | | | | □□3 | □□5 | |
| 34 | 12301007 | | 梭架(右) | Rotary hook base(R) | 1 | 1 | 58420J/58450J-E |
| | 12301009 | | 梭架(右) | Rotary hook base(R) | 1 | 1 | 58720J/58750J-E |
| 35 | 12312015 | | 旋梭基座盖R | Rotary hook base cover,R | 1 | 1 | 58□□0J-E |
| 36 | 12928010 | SA2579001 | 垫圈 | Specer | 1 | 1 | |
| 37 | 12912052 | SA6425101 | 油毡架UR | Felt support UR | 1 | 1 | |
| 38-1 | 12912055 | | 右下油毡架 | Felt support DR | 1 | 1 | |
| 38-2 | 12923015 | | 右下齿轮油毡 | Felt | 1 | 1 | |
| 39 | 12912031 | SA6462001 | 旋梭基座盖FL | Rotary hook base cover,FL | 1 | 1 | |
| 40 | 12912032 | SA6463001 | 旋梭基座盖FR | Rotary hook base cover,FR | 1 | 1 | |
| 41 | 129S30011 | SA6417001 | 螺钉M4×12 | Screw,M4×12 | 4 | 4 | |
| 42 | 129S11003 | SA2556001 | 螺钉M6×25 | Screw,M6×25 | 2 | 2 | |
| 43 | 129S11003 | SA2556001 | 螺钉M6×25 | Screw,M6×25 | 2 | 2 | |
| 44 | 20628003 | | 梭架固定垫片 | Washer,plain 6.35 | 2 | 2 | |
| 45 | 12903009 | SA2722001 | 套管A | Pinch sleeve A | 2 | 2 | |
| 46 | 12903010 | SA2565001 | 套管B | Pinch sleeve B | 2 | 2 | |
| 47 | 11618001 | S01928151 | 梭芯 | Bobbin | 2 | 2 | 58420J/58450J |
| | 11818001 | S09285051 | 梭芯 | Bobbin | 2 | 2 | 58720J/58750J-E |
| 48 | 12918022 | 148602001 | 梭心座簧 | Bobbin Spring | 2 | 2 | 58420J/58450J-E |
| | 12918024 | S09286000 | 梭心座簧 | Bobbin Spring | 2 | 2 | 58720J/58750J-E |
| 49 | 1291801400 | | 旋梭组件 | Rotary hook assy | 2 | 2 | 58420J-E |
| | 1291801500 | | 旋梭组件 | Rotary hook assy | 2 | 2 | 58450J-E |
| | 1291801600 | | 旋梭组件 | Rotary hook assy | 2 | 2 | 58720J-E |
| | 1291801700 | | 旋梭组件 | Rotary hook assy | 2 | 2 | 58750J-E |

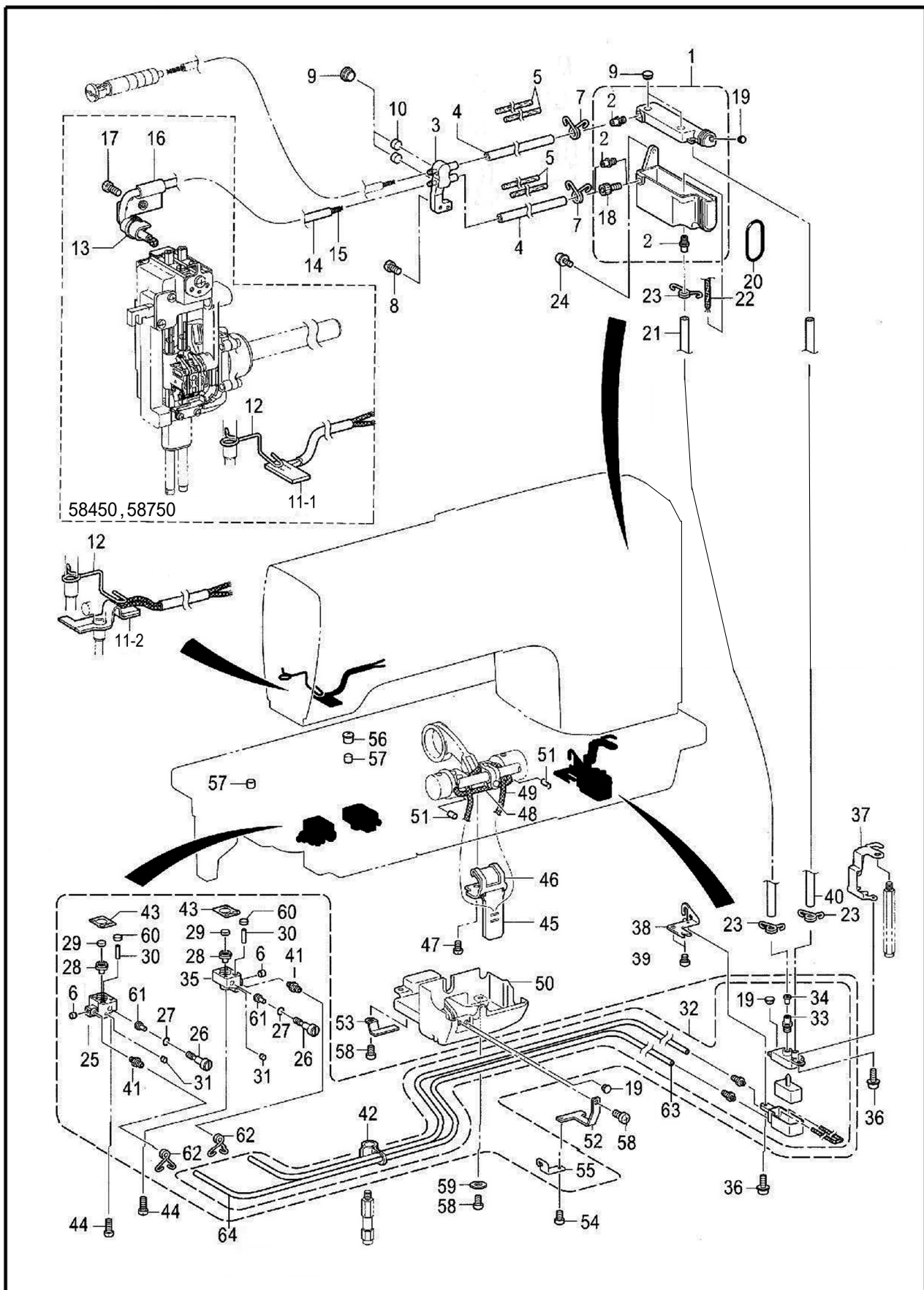
K. 供油润滑部件/Lubrication



K.供油润滑部件/Lubrication

| 序号 No. | 件号 Part No. | 参考件号 Ref.Part No. | 零部件名称 | Name of parts | 数量 Amt. | | 备注 |
|-----------|----------------|----------------------|----------------|----------------------------|---------|------|-------------|
| | | | | | □□3 | □□5 | |
| 1 | 12911004 | SA4205101 | 油罐组件 | Oil tank assy | 1 | 1 | |
| 2 | 129S30009 | SA3040001 | 供油口 8.6 | Oil feeding pipe,8.6 | 2 | 2 | 58420/58720 |
| | 129S30009 | SA3040001 | 供油口 8.6 | Oil feeding pipe,8.6 | 4 | 4 | 58450/58750 |
| 3 | 12936002 | SA3946001 | 油管接头 | Oil terminal | 1 | 1 | |
| 4 | 12921006 | SA2956001 | 维尼龙油管L=135 | Oil tube,L=135 | 1 | 1 | |
| | 12921006 | SA2956001 | 维尼龙油管L=135 | Oil tube,L=135 | 2 | 2 | 58450/58750 |
| 5 | 12923018 | | 油线 φ 3.3 L=300 | Wick,4×4 L=300 | 0.6 | 0.6 | |
| | 12923018 | | 油线 φ 3.3 L=300 | Wick,4×4 L=300 | 0.6 | 0.6 | 58450/58750 |
| 6 | 12922009 | 140327001 | 橡皮塞6.3 | Rubber cap,6.3 | 2 | 2 | |
| 7 | 20729005 | SA3055101 | 油管夹 | Tube clip | 2 | 2 | |
| | 20729005 | SA3055101 | 油管夹 | Tube clip | 4 | 4 | 58450/58750 |
| 8 | S04028 | 062500816 | 螺钉M5×8 | Screw,pan M5×8 | 1 | 1 | |
| 9 | 12922001 | SA2929001 | 橡皮塞12.5 | Rubber cap,12.5 | 3 | 3 | |
| | 12922001 | SA2929001 | 橡皮塞12.5 | Rubber cap,12.5 | 4 | 4 | 58450/58750 |
| 10 | 12923010 | S38266000 | 油毡 | Rotary hook shaft felt | 1 | 1 | |
| | 12923010 | S38266000 | 油毡 | Rotary hook shaft felt | 2 | 2 | 58450/58750 |
| 11-1 | 12923035 | | 油毡块 | Felt assy | 1 | 1 | |
| 11-2 | 12923036 | | 油毡垫 | Felt assy | 1 | 1 | 58420/58720 |
| 12 | 12912035 | SA4033101 | 油毡压架 | Felt support | 1 | 1 | |
| 13 | 61910003 | | 尼龙扎带3×80 | Cable band 3×80 | 2 | 2 | |
| 14 | 12921002 | | 油管L=280 | Tube L=280 | 1 | 1 | 58450/58750 |
| 15 | 12923018 | | 油线 4×4 L=380 | Wick, 4×4 L=380 | 1 | 1 | |
| 16 | 12912065 | SA5154001 | 油管支架 | Tube support | 1 | 1 | 58450/58750 |
| 17 | S04029 | | 螺钉M5×12 | Screw,pan M5×8 | 1 | 1 | 58450/58750 |
| 18 | S05079 | 018081236 | 螺栓M8×12 | Bolt,socket M8×12 | 1 | 1 | 58420/58720 |
| 19 | 12922006 | | 橡皮塞8 | Rubber cap,8 | 1 | 1 | |
| 20 | 12922013 | 081038070 | O形圈P38 | O ring P38 | 1 | 1 | |
| 21 | 12921006 | SA2723001 | 维尼龙油管L=210 | Oil tube,L=210 | 1 | 1 | |
| 22 | 12923019 | | 油线 L=400 | Wick,φ3.3 L=300 | 1 | 1 | |
| | 12923009 | | 油线 φ 3.3 L=300 | Wick,L=300 | 1 | 1 | |
| 23 | 20729005 | SA3055101 | 油管夹 | Tube clip | 3 | 3 | |
| 24 | 129S30016 | 0A5501006 | 螺栓(带垫圈)M5 | Screw,pan(S/P washer)M5×10 | 2 | 2 | |
| 25 | 12901007 | SA3896001 | 集油器L | Oil block,L | 1 | 1 | |
| 26 | 129S20004 | SA6475001 | 油量调整螺栓 | Oil adjusting screw | 2 | 2 | |
| 27 | O01004 | 081004070 | O形圈P4 | O ring P4 | 2 | 2 | |
| 28 | 12922007 | SA6468001 | 橡皮垫片 | Rubber packing | 2 | 2 | |
| 29 | 12922008 | SA6423001 | 旋梭轴垫片 | Rotary hook shaft felt | 2 | 2 | |
| 30 | 12923021 | SA6415001 | 油线 L=90 | Wick L=90 | 0.18 | 0.18 | |
| 31 | 12922016 | 142274101 | 橡皮塞4.3 | Rubber cap,4.3 | 2 | 2 | |
| 32 | 12911005 | SA3037001 | 副油罐组件 | Subtank assy | 1 | 1 | |
| 33 | 12936004 | | 供油口 8.6 | Oil feeding pipe | 1 | 1 | |
| 34 | 12922010 | SA3060001 | 油门垫片 | Valve packing | 1 | 1 | |
| 35 | 12901008 | SA3898001 | 集油器R | Oil block,R | 1 | 1 | |
| 36 | 129S30017 | 0A4400806 | 螺栓(带垫圈)M4 | Screw,pan(S/P washer)M4×8 | 2 | 2 | |
| 37 | 12912036 | SA3045201 | 副油罐安装架A | Subtank setting plate,A | 1 | 1 | |
| 38 | 12912037 | SA3046001 | 副油罐安装架B | Subtank setting plate,B | 1 | 1 | |
| 39 | S04033 | 062060816 | 螺钉M6×8 | Screw,pan M6×8 | 2 | 2 | |
| 40 | 12921006 | SA3044001 | 维尼龙油管L=242 | Oil tube,L=242 | 1 | 1 | |
| 41 | 12936003 | S51815001 | 油嘴管3.8 | Oil feeding pipe,3.8 | 4 | 4 | |
| 42 | 12911006 | SA6472001 | 油管固定夹 | Tube support | 1 | 1 | |
| 43 | 12928011 | SA3923101 | 旋梭台D垫片 | Rotary hook base D packing | 2 | 2 | |
| 44 | S04039 | 062401616 | 螺钉M4×16 | Screw,pan M4×16 | 4 | 4 | |
| 45 | 12923014 | SA2604001 | 油毡 | Felt | 1 | 1 | |
| 46 | 12912039 | SA2605001 | 油毡压架 | Felt support | 1 | 1 | |
| 47 | S04030 | 062500616 | 螺钉M5×6 | Screw,pan M5×6 | 1 | 1 | |

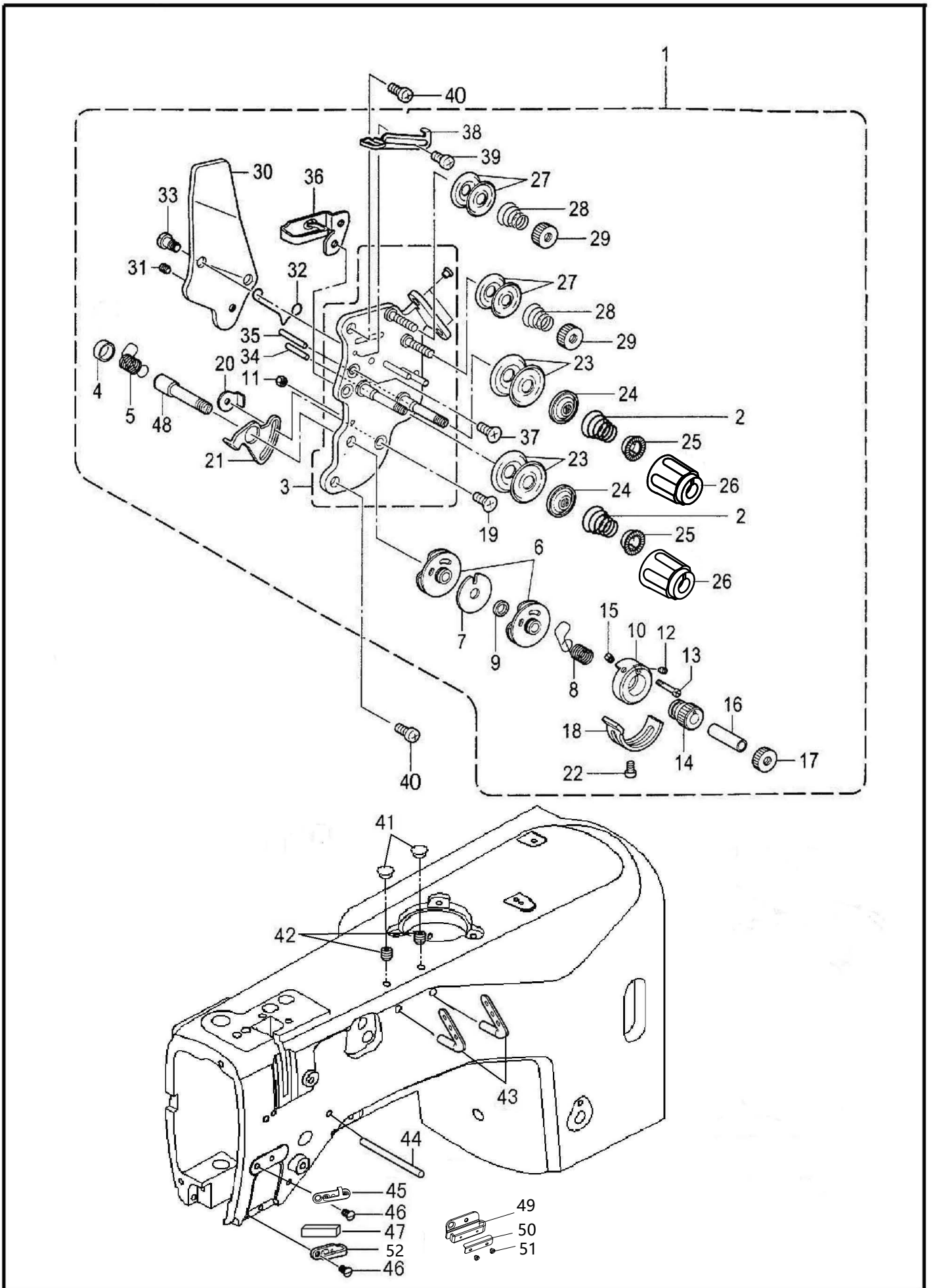
K. 供油润滑部件/Lubrication



K.供油润滑部件/Lubrication

| 序号 No. | 件号 Part No. | 参考件号 Ref.Part No. | 零部件名称 | Name of parts | 数量 Amt. | | 备注 |
|-----------|----------------|----------------------|--------------|------------------------|---------|-----|----|
| | | | | | □□3 | □□5 | |
| 48 | 12923018 | 109405001 | 油线 4×4 L=100 | Wick,4×4 L=100 | 1 | 1 | |
| 49 | 20123021 | 108801001 | 油线 4×4 L=350 | Wick,4×4 L=350 | 1 | 1 | |
| 50 | 12911007 | SA2606101 | 油盖 | Oil cover | 1 | 1 | |
| 51 | 12923012 | 148743001 | 油毡 | Felt | 2 | 2 | |
| 52 | 12912040 | SA3048101 | 油管压架A | Tube support,A | 1 | 1 | |
| 53 | 12912041 | SA3049001 | 油管压架B | Tube support,B | 1 | 1 | |
| 54 | S04035 | 062400616 | 螺钉M4×6 | Screw,pan M4×6 | 1 | 1 | |
| 55 | 12912042 | SA6473001 | 油管导向 | Tube guide | 1 | 1 | |
| 56 | 12922012 | 140890009 | 油盖 | Oil cap | 1 | 1 | |
| 57 | 12923030 | 112753001 | 油毡 | Felt | 2 | 2 | |
| 58 | S04038 | 062061016 | 螺钉M6×10 | Screw,pan M6×10 | 3 | 3 | |
| 59 | 11628005 | | 平垫圈S6 | Washer,plain S6 | 1 | 1 | |
| 60 | 12923037 | SA6423001 | 旋梭轴油毡 | Rotary hook shaft felt | 2 | 2 | |
| 61 | 12926013 | SA6416001 | 油量调节销 | Rubber presser | 2 | 2 | |
| 62 | 30129007 | SA4508001 | 油管夹 | Tube clip | 4 | 4 | |
| 63 | 12923050 | | 油毡 | Felt | 2 | 2 | |
| 64 | 12921005 | | 油管(φ4×φ6) | Tube(φ4×φ6) | 2 | 2 | |

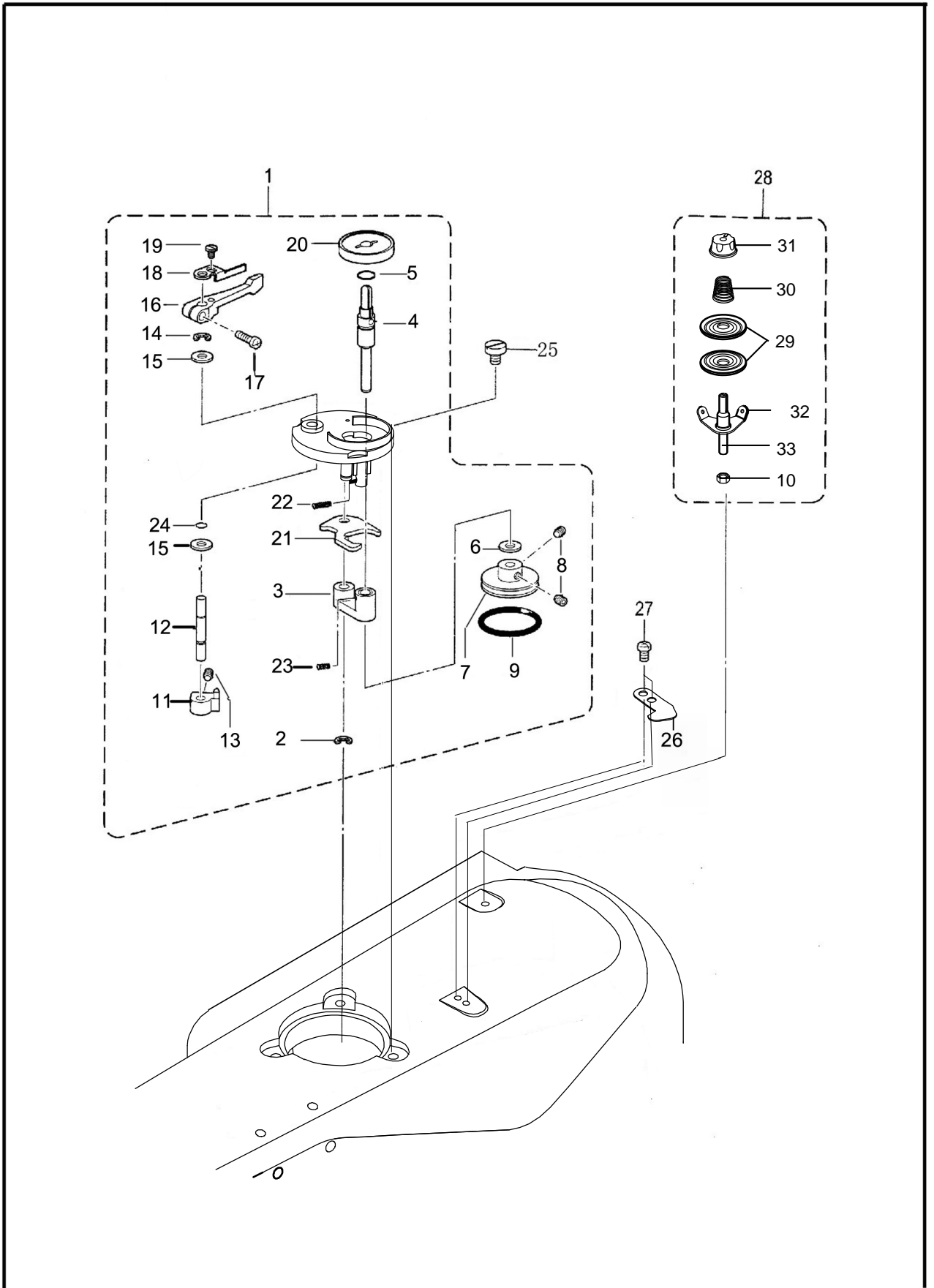
L.穿线部件/Thread Mechanism



L.穿线部件/Thread Mechanism

| 序号 No. | 件号 Part No. | 参考件号 Ref.Part No. | 零部件名称 | Name of parts | 数量 Amt. | | 备注 |
|-----------|----------------|----------------------|--------------|-----------------------------------|---------|-----|------------|
| | | | | | □□3 | □□5 | |
| 1 | 1231300200 | SA3417301 | 面线调节组件3 | Upper Thread Tension Assy , 3 | 1 | | |
| 2 | 12927008 | SA3415001 | 夹线弹簧-3 | Tension Spring , L | 2 | | |
| 1 | 1231300300 | SA2607301 | 面线调节组件5 | Upper Thread Tension Assy , 5 | | 1 | |
| 2 | 12927009 | SA3416101 | 夹线弹簧-5 | Tension Spring , LL | | 2 | |
| 3 | 12912043 | SA4212001 | 调整台组件 | Tension Plate Assy | 1 | 1 | |
| 4 | 12922020 | SA2613001 | 盖子 | Cap | 1 | 1 | |
| 5 | 12927010 | SA2614201 | 弹簧L | Thread Takeup Spring,L | 1 | 1 | |
| 6 | 1291300500 | SA2615001 | 导向组件 | Guide Assy,T/Takeup Spring | 2 | 2 | |
| 7 | 12928035 | SA2619001 | 垫片 | Spacer | 1 | 1 | |
| 8 | 12927011 | SA2623201 | 弹簧R | Thread Takeup Spring,R | 1 | 1 | |
| 9 | 12903014 | SA2620001 | 轴套 | Collar | 1 | 1 | |
| 10 | 12908006 | SA2621001 | 定位圈 | Stopper Support | 1 | 1 | |
| 11 | N01013 | 021300106 | 螺母M3 | Nut,1M3 | 1 | 1 | |
| 12 | 129S15006 | SA2626001 | 螺钉M3.5 | Set screw,(cp)M3.5 | 1 | 1 | |
| 13 | 129S11008 | SA2624001 | 固定螺栓 | Spring guide set screw | 1 | 1 | |
| 14 | 12913022 | SA2625001 | 调节旋钮 | Adujsting thumb | 1 | 1 | |
| 15 | 129S15006 | SA2626001 | 螺钉M3.5 | Set screw,(cp)M3.5 | 1 | 1 | |
| 16 | 12903015 | SA2627001 | 轴套 | Collar | 1 | 1 | |
| 17 | 129S30044 | SA2628001 | 调线螺母 | Tension nut | 1 | 1 | |
| 18 | 12912044 | SA2629001 | 弹簧限位板 | Stopper | 1 | 1 | |
| 19 | 129S17004 | 061350616 | 螺钉M3.5×6 | Screw,flat M3.5×6 | 1 | 1 | |
| 20 | 12912084 | SA2824001 | 定位螺钉M3.5 | Nut,whirlstop M3.5 | 1 | 1 | |
| 21 | 12912045 | SA2630001 | 限位板 | Stopper | 1 | 1 | |
| 22 | 129S30026 | 062350512 | 螺钉M3.5×5 | Screw,pan M3.5×5 | 1 | 1 | |
| 23 | 12913007 | 145446001 | 夹线盘 | Disc,tension | 4 | 4 | |
| 24 | 12913008 | 159805001 | 夹线压盘 | Tension disc presser | 2 | 2 | |
| 25 | 12911008 | S20681000 | 调节弹簧垫圈 | Washer | 2 | 2 | |
| 26 | 123S16002 | S20682105 | 调节螺母 | Tension nut | 2 | 2 | |
| 27 | 12928036 | 144504001 | 小夹线垫片 | Thread guide disc | 4 | 4 | |
| 28 | 12927012 | 154560101 | 小夹线弹簧A | Pretension spring,A | 2 | 2 | |
| 29 | 129S30012 | 155510001 | 夹线螺母 | Tension nut | 2 | 2 | |
| 30 | 12913009 | SA2632001 | 松线板 | Tension releade plate | 1 | 1 | |
| 31 | S09019 | 012500536 | 螺钉M5×5 | Set screw,socket(ft)M5×5 | 1 | 1 | |
| 32 | 12927013 | S38274001 | 松线弹簧 | Treleadw spring | 1 | 1 | |
| 33 | 129S30020 | SA2633001 | 段螺钉M3.5 | Shoulder screw,M3.5 | 2 | 2 | |
| 34 | 12926011 | SA4506001 | 松线销L | Tension release pin,L | 1 | 1 | |
| 35 | 12926012 | SA4507001 | 松线销R | Tension release pin,R | 1 | 1 | |
| 36 | 12912046 | SA2634001 | 线导向U | Thread guide,U:arm | 1 | 1 | |
| 37 | 129S17004 | 061350616 | 螺钉M3.5×6 | Screw,flat M3.5×6 | 2 | 2 | |
| 38 | 12912047 | SA2635001 | 线调整 | Thread quantity adjust | 1 | 1 | |
| 39 | 129S30027 | 062300616 | 螺钉M3×6 | Screw,pan M3×6 | 1 | 1 | |
| 40 | S04028 | 062500816 | 螺钉M5×8 | Screw,pan M5×8 | 2 | 2 | |
| 41 | 13822001 | | 三眼线钩固定螺钉孔塞 | Rubber plug | 2 | 2 | |
| 42 | S10019 | 012060636 | 螺钉M6×6 | Set screw,socket(ft)M6×6 | 2 | 2 | |
| 43 | 12313001 | | 三眼线勾 | Thread retainer | 2 | 2 | |
| 44 | 12902011 | SA2637001 | 松线轴 | Bar,tension release | 1 | 1 | |
| 45 | 112312009 | | 线导向M | Thread guide,M:arm | 1 | 1 | |
| 46 | 129S17002 | SA2640001 | 螺钉M5×8 | Screw,flat M5×8 | 2 | 2 | |
| 47 | 11623022 | 114941001 | 过线钩油毡 | Felt | 1 | 1 | 58□□0-□□5 |
| 48 | 12926010 | SA6378001 | 调整短轴 | Tension Stud | 1 | 1 | |
| 49 | 112312007 | | 下过线钩 | Thread guide,D:arm | 1 | 1 | 58□□0-□□5 |
| 50 | 112312008 | | 下过线油毡压板 | Felt Presser ForThread Oil Supply | 1 | 1 | 58□□0-□□5 |
| 51 | 101S11019 | | 螺钉SM3/32"×56 | Screw SM3/32"×56 | 2 | 2 | 58□□0-□□5 |
| 52 | 12912049 | SA2638001 | 线导向M | Thread guide,M:arm | 1 | 1 | 58□□0J-4□3 |

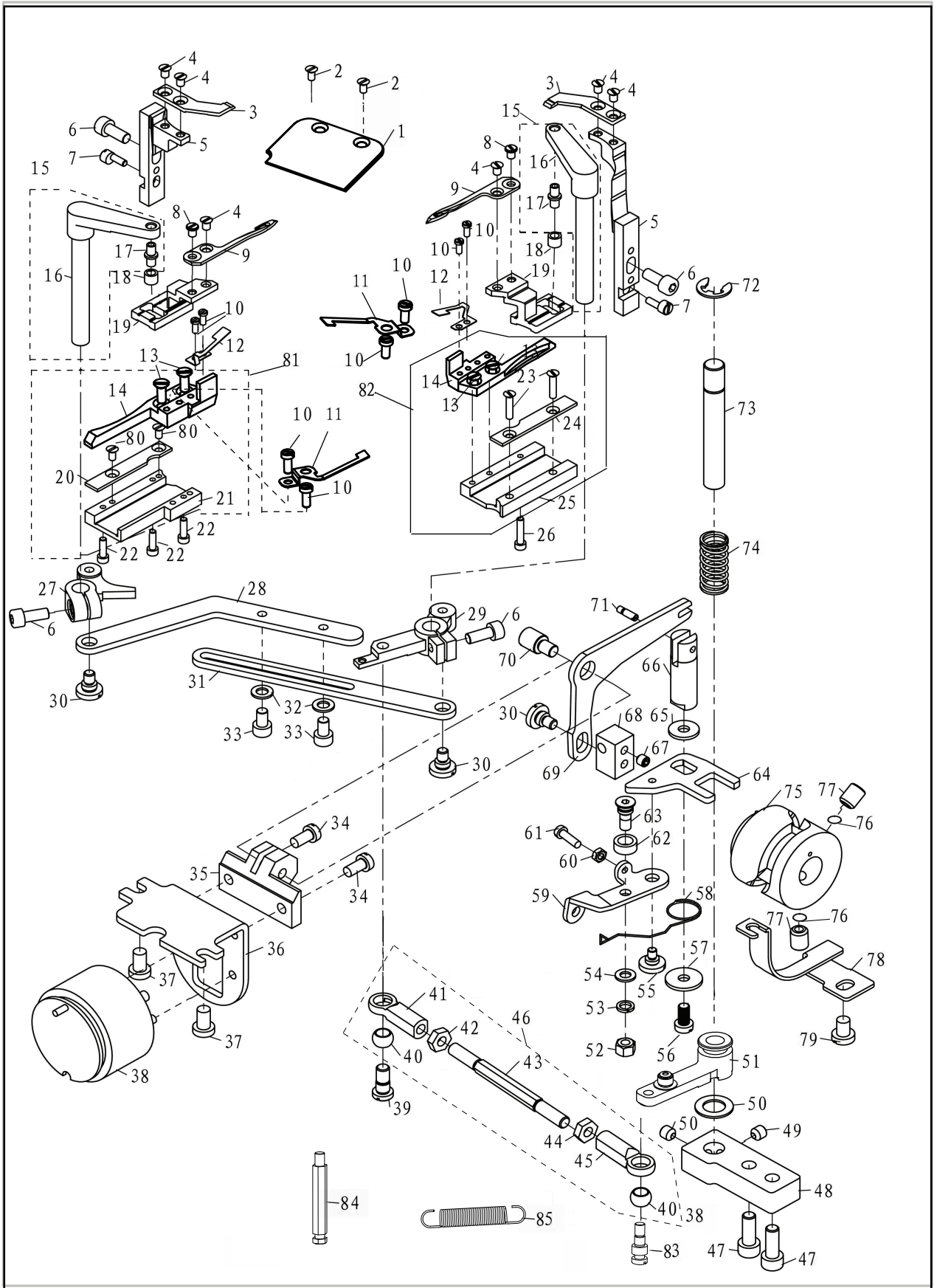
N. 卷线部件/Bobbin Winder Mechanism



N.卷线部件/Bobbin Winder Mechanism

| 序号 No | 件号 Part No. | 参考件号 Ref.Part No. | 零部件名称 | Name of parts | 数量 Amt. | | 备注 |
|----------|-------------------|----------------------|---------------------|-----------------------------|---------|-----|----|
| | | | | | □□3 | □□5 | |
| 1 | 1233100400 | SA1971101 | 卷线器组件 | Bobbin Winder Unit | 1 | 1 | |
| 2 | H05012 | 048040342 | 挡圈E4 | Retaining Ring,E4 | 1 | 1 | |
| 3 | 1231100900 | SA1975001 | 卷线轴基座 | B-Winder Shaft Support Assy | 1 | 1 | |
| 4 | 12302002 | SA1978001 | 绕线轴 | Bobbin Winder Shaft | 1 | 1 | |
| 5 | O01008 | 081009070 | O形圈P9 | O Ring,P9 | 1 | 1 | |
| 6 | 12928021 | 025060136 | 平垫圈S6 | Washer,Plain S6 | 1 | 1 | |
| 7 | 12935005 | SA1980001 | 卷线轮 | Bobbin Winder Wheel | 1 | 1 | |
| 8 | S09019 | 012500536 | 螺钉M5×5 | Set Screw,Socket(FT)M5×5 | 2 | 2 | |
| 9 | 12922014 | S25789000 | 橡皮垫圈29 | Rubber Ring,29 | 1 | 1 | |
| 10 | 114S16001 | | 螺母 | Nut | 1 | 1 | |
| 11 | 12910007 | SA1982101 | 梭芯夹凸轮 | Bobbin Presser Cam | 1 | 1 | |
| 12 | 12302003 | SA1983001 | 梭芯夹轴 | Bobbin Winder Arm Shaft | 1 | 1 | |
| 13 | S09019 | 012500536 | 螺钉M5×5 | Set Screw,Socket(FT)M5×5 | 1 | 1 | |
| 14 | H05012 | 048040342 | 挡圈E4 | Retaining Ring,E4 | 1 | 1 | |
| 15 | 12328001 | 025060136 | 平垫圈S6 | Washer,Plain S6 | 2 | 2 | |
| 16 | 12304004 | SA1984001 | 梭芯压臂柄 | Bobbin Presser Arm | 1 | 1 | |
| 17 | S05307 | | 螺钉M4×14 | Screw,Pan M4×14 | 1 | 1 | |
| 18 | 12312009 | SA1985001 | 梭芯夹 | Bobbin Presser | 1 | 1 | |
| 19 | 123S11006 | S23418002 | 螺钉M4×5 | Screw,M4×5 | 1 | 1 | |
| 20 | 12911009 | SA1988001 | 梭芯座 | Bobbin Support | 1 | 1 | |
| 21 | 12312013 | SA1989001 | 卷线杠杆 | Bobbin Winder Lever | 1 | 1 | |
| 22 | 12907014 | SA1990101 | 弹簧 | Spring | 1 | 1 | |
| 23 | 12907015 | SA1991001 | 弹簧 | Bobbin Winder Base Spring | 1 | 1 | |
| 24 | 12922030 | SA2190001 | O形密封圈 | O Ring | 1 | 1 | |
| 25 | 123S11015 | SA1992101 | 绕线器固定螺钉 | Bobbin Winder Fixed Screw | 3 | 3 | |
| 26 | 11419001 | SA1360101 | 割线刀 | Knife | 1 | 1 | |
| 27 | 114S11015 | | 割线刀螺钉SM9/64"×40 L=6 | Screw SM9/64"×40 L=6 | 2 | 2 | |
| 28 | 1411300600 | | 卷线器夹线组件 | Bobbin Winder Tension Assy | 1 | 1 | |
| 29 | 10112005 | | 夹线盘 | Disc , Tension | 2 | 2 | |
| 30 | 11427006 | | 夹线弹簧 | Tension Spring | 1 | 1 | |
| 31 | 13811004 | | 压线螺母 | Tension Nut | 1 | 1 | |
| 32 | 11413022 | | 过线板 | Song Line board | 1 | 1 | |
| 33 | 112S13004 | | 夹线器轴 | Folder spool | 1 | 1 | |

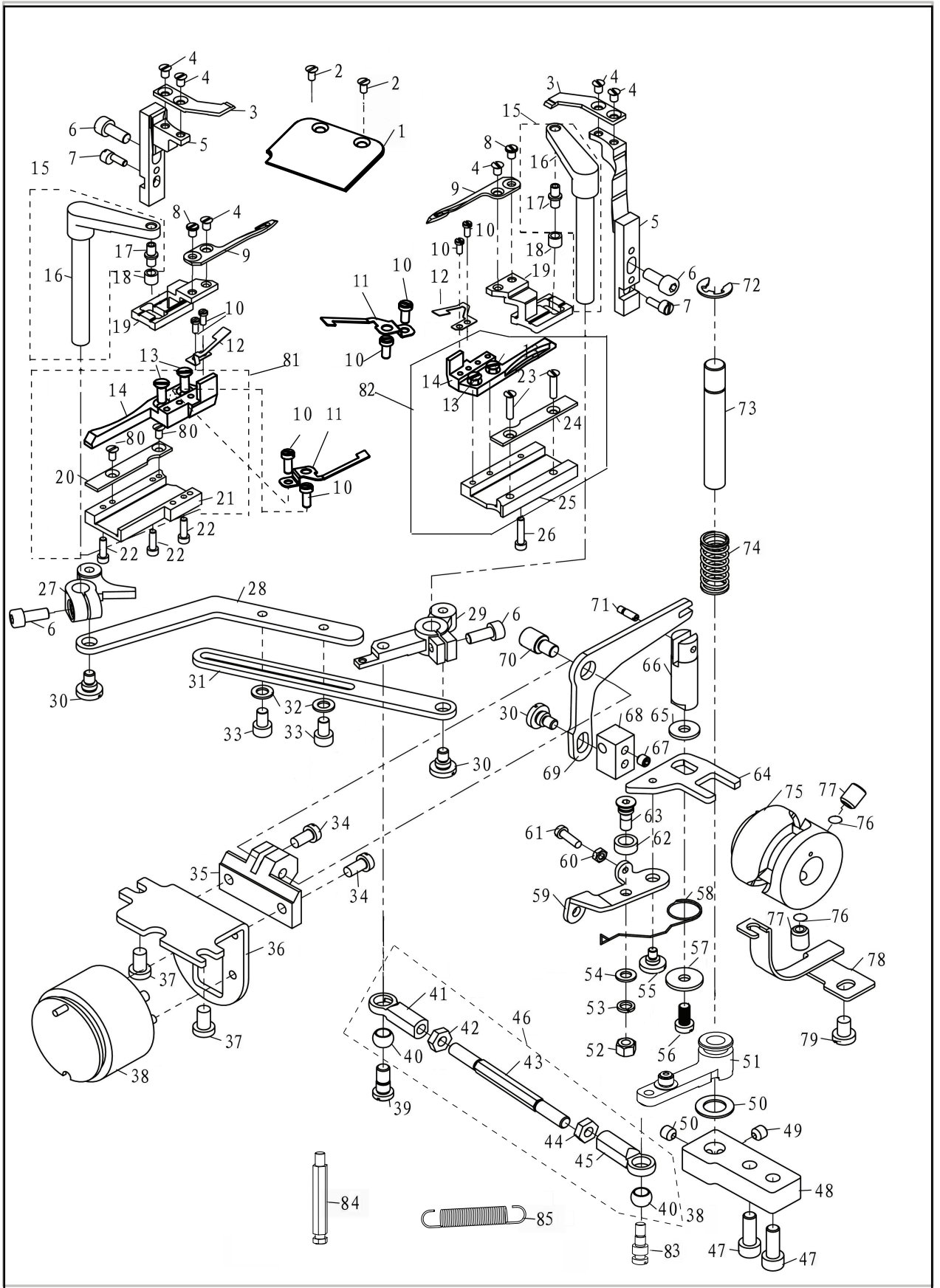
O.切线部件/Thread trimmer mechanism



O.切线部件/Thread trimmer mechanism

| 序号 No. | 件号 Part No. | 参考件号 Ref.Part No. | 零部件名称 | Name of parts | 数量 Amt. | | 备注 |
|-----------|------------------|----------------------|--------------------|------------------------------------|---------|-----|----|
| | | | | | □□3 | □□5 | |
| 1 | 12915117 | | 剪线盖板 | Cover for trimming | 1 | 1 | |
| 2 | S02003 | | 一字沉头螺钉 M4×5 | Screw M3×6 | 2 | 2 | |
| 3 | 12319001 | | 定刀 | Fixed knife | 2 | 2 | |
| 4 | 123S17001 | | 定刀螺钉 SM9-64×40=4.5 | Screw SM9/16×40 L=4.5 | 6 | 6 | |
| 5 | 12309001 | | 定刀架 | Fixed knife holder | 2 | 2 | |
| 6 | 207S13009 | | 圆柱头内六角螺钉 M5×12 | Screw M5×12 | 4 | 4 | |
| 7 | 123S30003 | | 定刀调节螺钉M3 | Fixed knife adjustable screw | 2 | 2 | |
| 8 | 123S11002 | | 动刀螺钉SM9/64×40 L=4 | Screw SM9/64×40 L=4 | 2 | 2 | |
| 9 | 12319002 | | 动刀 | Movable knife | 2 | 2 | |
| 10 | 201S11001 | | 螺钉SM3/32"×56 L=4.7 | Screw SM3/32"×56 L=4.7 | 8 | 8 | |
| 11 | 12312001 | | 支撑弹簧片 | Adjust spring plate | 2 | 2 | |
| 12 | 12327002 | | 底线保持簧 | The bottom line to keep the spring | 2 | 2 | |
| 13 | S02034 | | 一字沉头螺钉 M3×8 | Screw M3×8 | 4 | 4 | |
| 14 | 12309002 | | 动刀托架 | Movable knife holder | 2 | 2 | |
| 15 | 1230400100 | | 动刀轴组件 | Movable knife bar assy. | 2 | 2 | |
| 16 | 12304005 | | 动刀轴 | Movable knife bar | 2 | 2 | |
| 17 | 12329001 | | 动刀驱动销 | Movable knife drive pin | 2 | 2 | |
| 18 | 12309003 | | 动刀驱动滚柱 | Knife drive roller | 2 | 2 | |
| 19 | 12309004 | | 动刀驱动滑块 | Knife drive roller | 2 | 2 | |
| 20 | 12309005 | | 动刀导向架盖板(L) | Knife guide frame cover(L) | 1 | 1 | |
| 21 | 12309006 | | 动刀导向架(L) | Knife guide frame | 1 | 1 | |
| 22 | S05328 | | 圆柱头内六角螺钉 M3×10 | Screw M3×10 | 3 | 3 | |
| 23 | S02010 | | 一字沉头螺钉 M3×14 | Screw M3×14 | 2 | 2 | |
| 24 | 12309007 | | 动刀导向架盖板(R) | Knife guide frame cover(R) | 1 | 1 | |
| 25 | 12309008 | | 动刀导向架(R) | Knife guide frame | 1 | 1 | |
| 26 | S05329 | | 圆柱头内六角螺钉 M3×14 | Screw M3×14 | 1 | 1 | |
| 27 | 12304002 | | 切线杠杆L | Trimming shaft L | 1 | 1 | |
| 28 | 12305001 | | 切线连杆L | Trimming connector L | 1 | 1 | |
| 29 | 12304003 | | 切线杠杆 R | Trimming shaft R | 1 | 1 | |
| 30 | 129S20302 | | 轴位螺钉M5 | Screw M5 | 3 | 3 | |
| 31 | 12912313 | | 切线连杆R | Trimming connector R | 1 | 1 | |
| 32 | W01004 | | 平垫圈M5 | Washer 5.3 | 2 | 2 | |
| 33 | S04028 | | 螺钉 M5×8 | Kcrew M5×8 | 2 | 2 | |
| 34 | S04029 | | 螺钉M5×12 | Kcrew M5×12 | 2 | 2 | |
| 35 | 12901302 | | 电磁铁杆支撑架 | Solenoid lever bracket | 1 | 1 | |
| 36 | 12912307 | | 切线电磁铁架 | Thread trimmer solenoid bracket | 1 | 1 | |
| 37 | S04038 | | 十字一字盘头螺钉 M6×10 | Kcrew M6×10 | 2 | 2 | |
| 38 | 1233000500 | | 剪线电磁铁组件 | Thread trimmer solenoid assy. | 1 | 1 | |
| 39 | 129S20307 | | 长度调节连杆轴位螺钉 | Screw | 1 | 1 | |
| 40 | 12903308 | | 套管 | Bush | 2 | 2 | |
| 41 | 12905302 | | 球接连杆组件 L | Connector ASM L | 1 | 1 | |
| 42 | 129S16003 | | 左旋螺母SM15/64"×28 | Levorotation Nut M6 | 1 | 1 | |
| 43 | 123S30001 | | 长度调节连杆 | Connecting Rod Length Adjustment | 1 | 1 | |
| 44 | 123S16003 | | 螺母SM15/64"×28 | Nut SM15/64"×28 | 1 | 1 | |
| 45 | 12905301 | | 球接连杆组件 R | Connector ASM R | 1 | 1 | |
| 46 | 1230500300 | | 长度调节连杆组件 | Connecting Rod Adjustment Assy | 1 | 1 | |
| 47 | S04031 | | 螺钉M6×16 | Screw,pan M6×16 | 2 | 1 | |
| 48 | 12912312 | | 主杆轴架 | Knife main lever shaft bracket | 1 | 1 | |
| 49 | S10019 | | 螺钉 M6×6 | Screw M6×6 | 2 | 2 | |
| 50 | 12928023 | | 橡胶垫圈 | Rubber cushion | 1 | 1 | |
| 51 | 1290130300 | | 主杆组件 | Knife main lever assy | 1 | 1 | |
| 52 | N01017 | | 六角螺母M5 | Nut 1 M5 | 1 | 1 | |
| 53 | W02001 | | 弹簧垫圈2-5 | Washer spring 2-5 | 1 | 1 | |

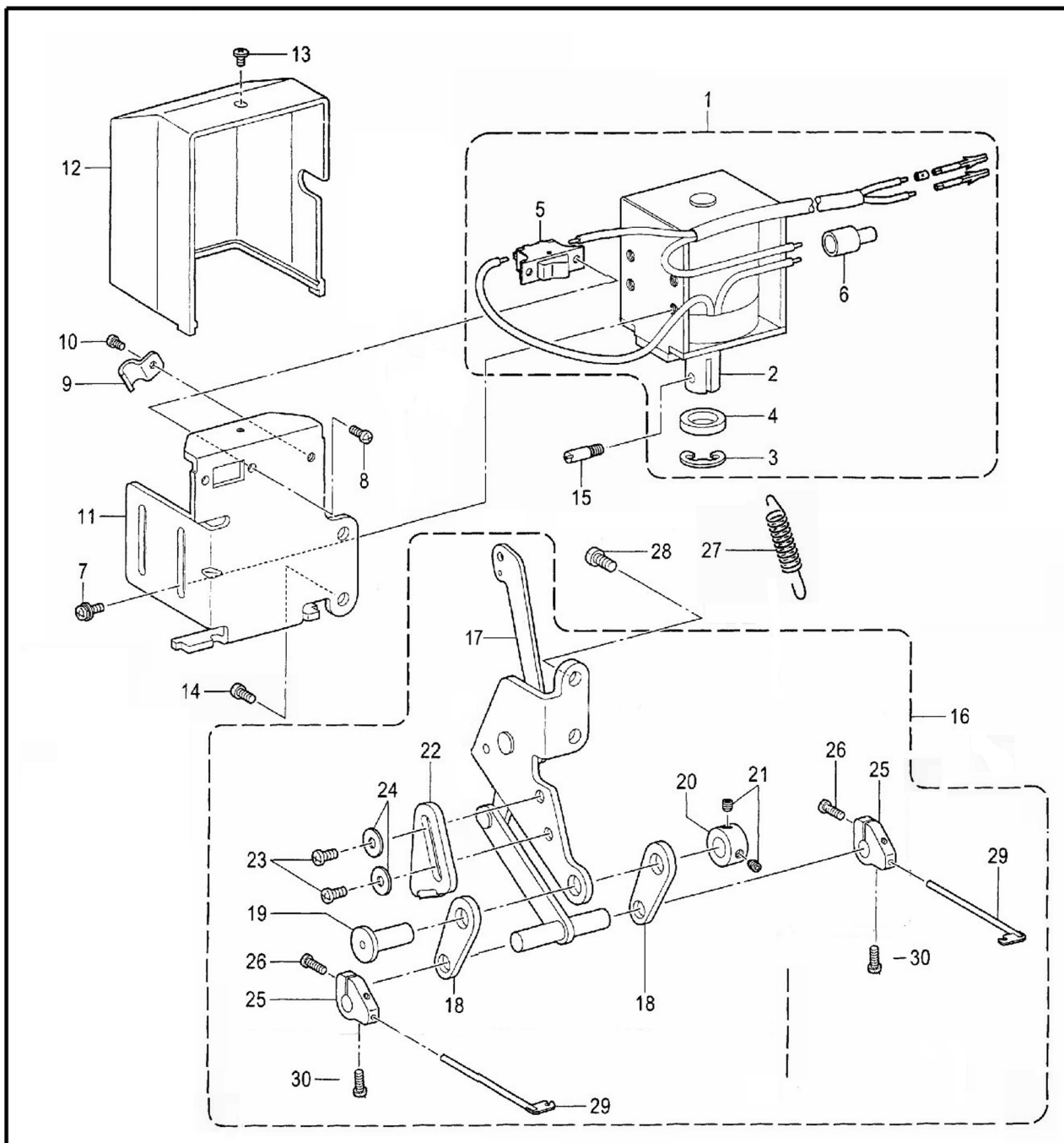
O.切线部件/Thread trimmer mechanism



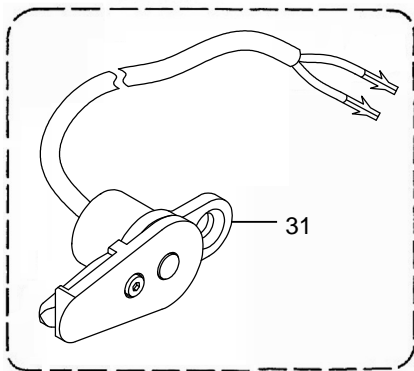
O.切线部件/Thread trimmer mechanism

| 序号 No. | 件号 Part No. | 参考件号 Ref.Part No. | 零部件名称 | Name of parts | 数量 Amt. | | 备注 |
|-----------|----------------|----------------------|----------------|--------------------------------|---------|-----|----|
| | | | | | □□3 | □□5 | |
| 54 | W01004 | | 垫圈 | Washer ,plain | 1 | 1 | |
| 55 | 129S20304 | | 松线杆轴位螺钉 M4 | Screw of separator pole M4 | 1 | 1 | |
| 56 | S04029 | | 螺钉M5×12 | Screw,pan M5×12 | 1 | 1 | |
| 57 | 12928302 | | 垫圈 | Washer | 1 | 1 | |
| 58 | 12927303 | | 弹簧 | Spring | 1 | 2 | |
| 59 | 12912332 | | 松线杆 | Tension release lever | 1 | 1 | |
| 60 | N01016 | | 螺母M3.5 | Nut M3.5 | 1 | 1 | |
| 61 | S01030 | | 螺钉M3.5×9.7 | screw,pan M3.5×12 | 1 | 1 | |
| 62 | 12903307 | | 松线滚轮 | Roller | 1 | 1 | |
| 63 | 129S20306 | | 滚轮轴 | Roller | 1 | 1 | |
| 64 | 12912310 | | 切线轴板 | Connecting plate | 1 | 1 | |
| 65 | 12928301 | SA2860001 | 垫圈 | Washer | 1 | 1 | |
| 66 | 12926301 | SA2651001 | 切线轴 | Thread trimming driving rod | 1 | 1 | |
| 67 | S09019 | 012500536 | 螺钉M5×5 | Set screw,Socket(FT)M5×5 | 1 | 1 | |
| 68 | 12908301 | SA2644001 | 电磁铁接头 | Thread trimming solenoid joint | 1 | 1 | |
| 69 | 12912308 | SA2646001 | 电磁铁杆 | Solenoid lever | 1 | 1 | |
| 70 | 129S20303 | SA2647001 | 电磁铁杆短轴 | Solenoid lever stud | 1 | 1 | |
| 71 | 120S11010 | 148546001 | 销 | Plunge pin | 1 | 1 | |
| 72 | H05008 | 048070342 | 挡圈E8 | Retaining ring ,E8 | 1 | 1 | |
| 73 | 12902302 | SA2658001 | 主杆轴 | knife main lever shaft | 1 | 1 | |
| 74 | 12027001 | S07509001 | 弹簧 | Spring | 1 | 1 | |
| 75 | 12310001 | | 剪线凸轮 | Cut Cam | 1 | 1 | |
| 76 | 12928303 | | 垫片 | Washer | 2 | 2 | |
| 77 | S10025 | | 内六角凹端紧定螺钉 M8×8 | Screw M8×8 | 2 | 2 | |
| 78 | 12912309 | SA2648001 | 线夹 | Fastening band | 1 | 1 | |
| 79 | S04033 | 062060816 | 螺钉M6×8 | Screw,pan M6×8 | 1 | 1 | |
| 80 | S02007 | | 左盖板螺钉 M3×6 | Word screw M3×6 | 2 | 2 | |
| 81 | 1230900600 | | 动刀导向架(L)组件 | Knife guide frame(L) Assy. | 1 | 1 | |
| 82 | 1230900800 | | 动刀导向架(R)组件 | Knife guide frame(R) Assy. | 1 | 1 | |
| 83 | 123S20003 | | 长度调节连杆轴位螺钉 | Screw | 1 | 1 | |
| 84 | 123S30006 | | 复位拉簧连接柱 | Connecting column | 1 | 1 | |
| 85 | 12327004 | | 剪线复位拉簧 | Spring | 1 | 1 | |

P.扫线部件/Thread wiper mechanism



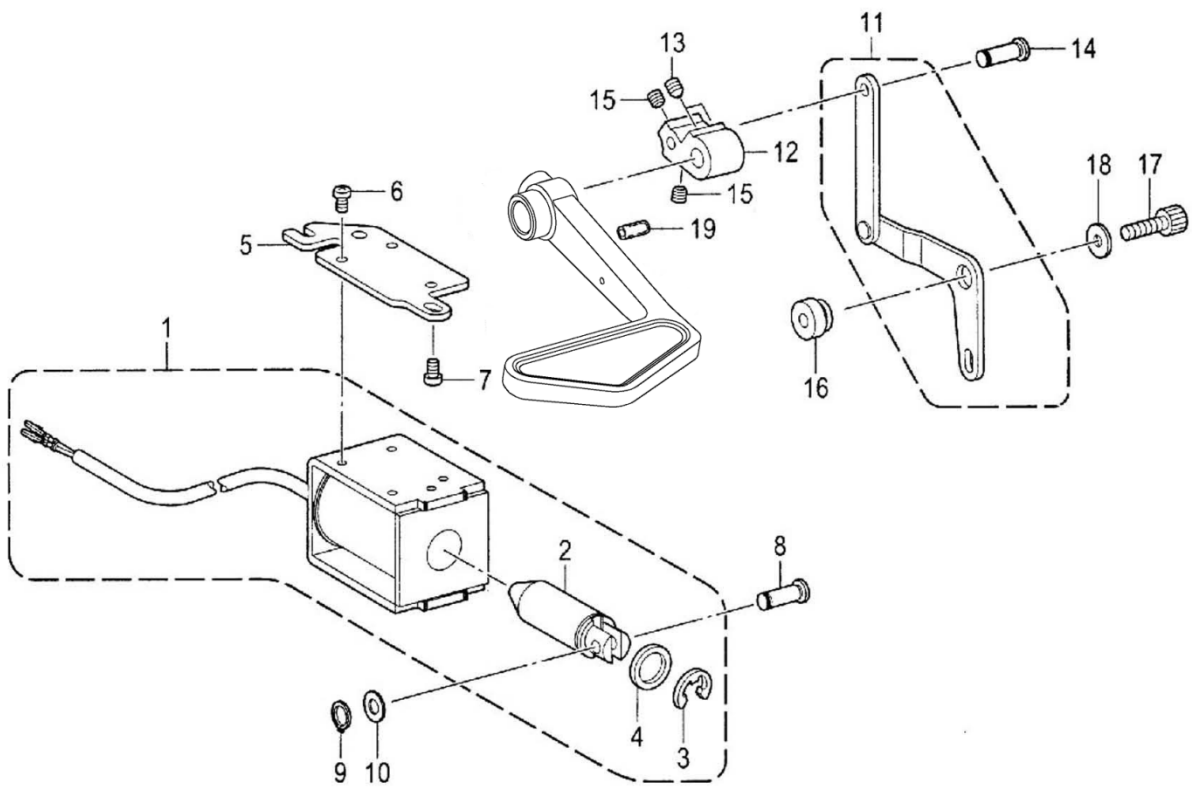
选配/Optional(58 0J-1 E)



P.扫线部件/Thread wiper mechanism

| 序号 No. | 件号 Part No. | 参考件号 Ref.Part No. | 零部件名称 | Name of parts | 数量 Amt. | | 备注 |
|-----------|----------------|----------------------|----------------|----------------------------|---------|-----|-------------|
| | | | | | □□3 | □□5 | |
| 1 | 1233000300 | SA2680001 | 扫线电磁铁组件 | Thread wiper solenoid assy | 1 | 1 | |
| 2 | 12330004 | 148511001 | 插棒式铁芯 | Plunger | 1 | 1 | |
| 3 | H05011 | 048090342 | 挡圈E9 | Retaining ring ,E9 | 1 | 1 | |
| 4 | 12022003 | S38426000 | 橡皮垫 | Rubber cushion | 1 | 1 | |
| 5 | 12030010 | S02664001 | 扫线开关 | Thread wiper switch | 1 | 1 | |
| 6 | 12022004 | S02665000 | 电线接头 | Terminal connector | 1 | 1 | |
| 7 | 129S30302 | | 螺钉(带垫片)M4×6 | screw,pan M4×6 | 4 | 4 | |
| 8 | 129S30027 | 062300616 | 螺钉M3×6 | screw,pan M3×6 | 2 | 2 | |
| 9 | 12912315 | 140647101 | 电线固定夹 | Cord holder | 1 | 1 | |
| 10 | S13006 | 062400616 | 螺钉M4×6 | screw,pan M4×6 | 1 | 1 | |
| 11 | 12312014 | SA2732001 | 电磁铁安装板 | Solenoid bracket | 1 | 1 | |
| 12 | 12311006 | SA2696001 | 电磁铁盖 | Solenoid cover | 1 | 1 | |
| 13 | 129S13004 | | 螺钉M4×8 | screw,pan M4×8 | 1 | 1 | |
| 14 | S04028 | 062501016 | 螺钉M5×8 | screw,pan M5×8 | 2 | 2 | |
| 15 | 120S11010 | 148546001 | 销 | Pin | 1 | 1 | |
| 16 | 1291231700 | SA2682101 | 电磁铁连杆组件 | Solenoid link assy | 1 | 1 | |
| 17 | 12912318 | | 动作传动板 | Driver | 1 | 1 | |
| 18 | 12012023 | S07549101 | 扫线连接环 | Link | 2 | 2 | |
| 19 | 12926302 | | 销 | Pin | 1 | 1 | |
| 20 | 12903304 | | 紧圈 | Set screw collar | 1 | 1 | |
| 21 | S09019 | | 螺钉M5×5 | screw,pan M5×5 | 2 | 2 | |
| 22 | 12912320 | | 定位板 | Stopper | 1 | 1 | |
| 23 | S04028 | | 螺钉M5×8 | screw,pan M5×8 | 2 | 2 | |
| 24 | W01126 | | 平垫圈5 | Plain washer 5 | 2 | 2 | |
| 25 | 12004006 | S07552101 | 扫线器架 | Thread wiper supporter | 2 | 2 | |
| 26 | 120S13003 | 062661212 | 螺钉SM3.18-44×12 | screw, SM3.18-44×12 | 2 | 2 | |
| 27 | 12927304 | SA2684001 | 弹簧 | Spring | 1 | 1 | |
| 28 | S04028 | 062501016 | 螺钉M5×8 | screw,pan M5×8 | 2 | 2 | |
| 29 | 12912321 | S07553001 | 扫线器 | Thread wiper | 2 | 2 | |
| 30 | 129S11005 | S07424001 | 螺钉SM3.18-44×4 | Set screw,SM3.18-44×4 | 2 | 2 | |
| 31 | 1293032300 | | 电子夹线器组件 | Nest less e-edvice | 1 | 1 | 选配/optional |

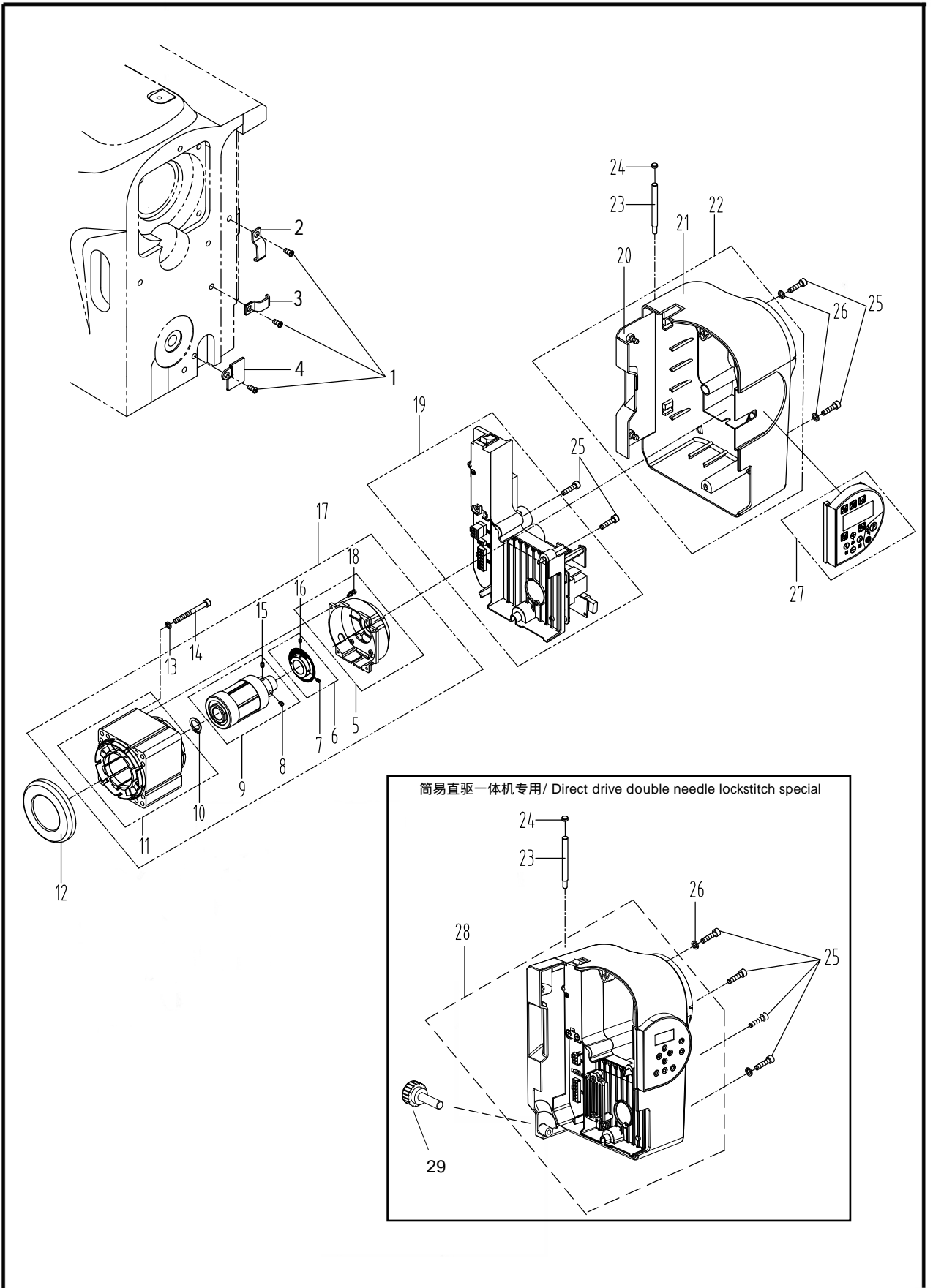
Q.倒缝部件/Quick reverse mechanism



Q.倒缝部件/Quick reverse mechanism

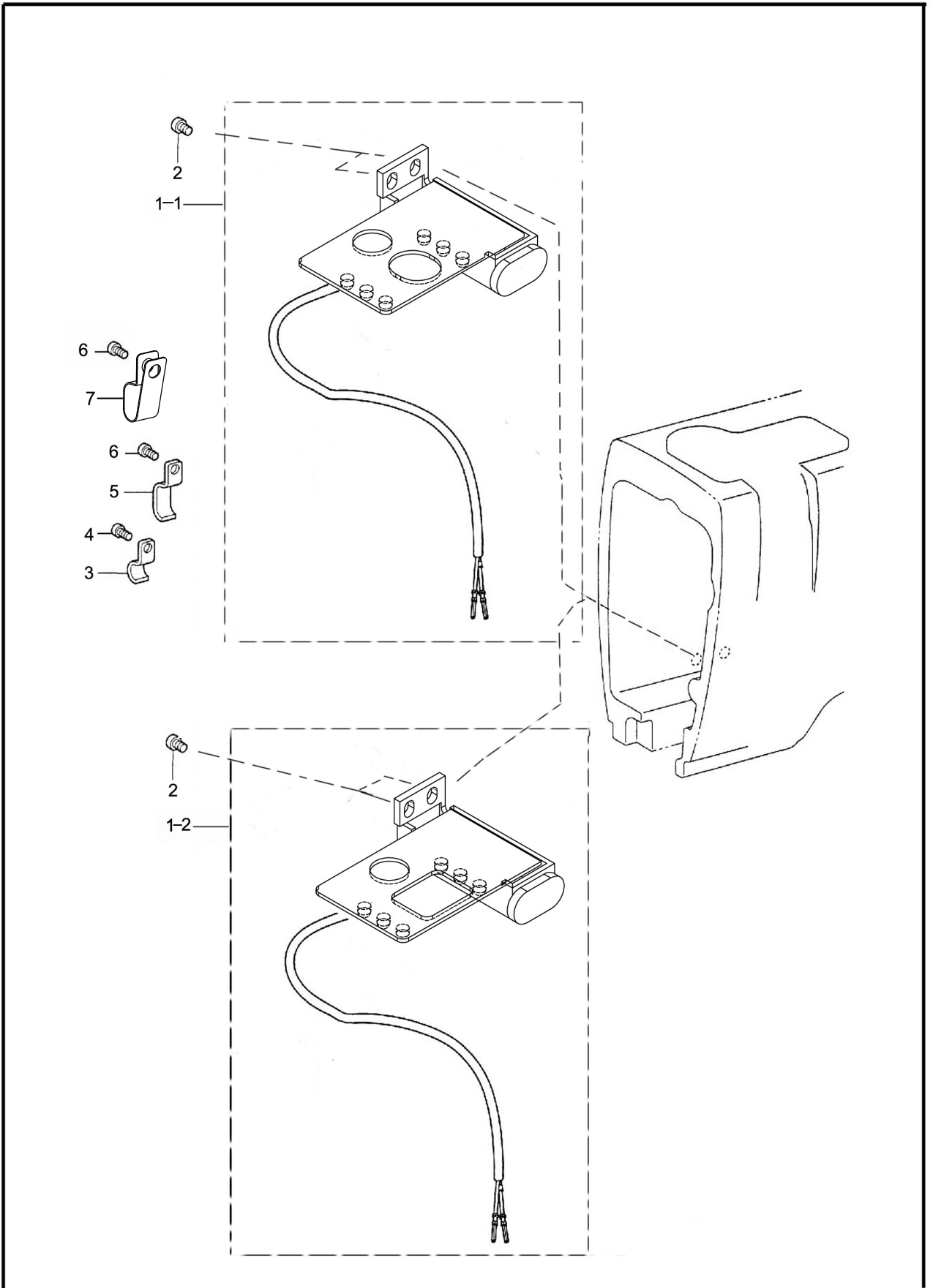
| 序号 No. | 件号 Part No. | 参考件号 Ref.Part No. | 零部件名称 | Name of parts | 数量 Amt. | | 备注 |
|-----------|----------------|----------------------|--------------|-----------------------------|---------|-----|----|
| | | | | | □□3 | □□5 | |
| 1 | 1233000600 | | 倒缝电磁铁组件 | Quick reverse solenoid assy | 1 | 1 | |
| 2 | 12930311 | 154729001 | 铁芯 | Solenoid core | 1 | 1 | |
| 3 | H05005 | 154730001 | 挡圈E15 | Retaining ring ,E15 | 1 | 1 | |
| 4 | 12022001 | 154731000 | 橡胶垫 | Rubber cushion | 1 | 1 | |
| 5 | 12912323 | SA2535101 | 电磁铁基座 | Solenoid base | 1 | 1 | |
| 6 | 129S30016 | 062500812 | 螺栓(带垫圈)M5×10 | screw,pan M5×10 | 3 | 3 | |
| 7 | S04038 | 062061016 | 螺钉M6×10 | screw,pan M6×10 | 2 | 2 | |
| 8 | 12926303 | SA2992001 | 连接销 | Pin | 1 | 1 | |
| 9 | H03003 | 048060142 | 挡圈5.6 | Retaining ring ,5.6 | 1 | 1 | |
| 10 | 12928018 | 153138001 | 垫圈6.5 | Washer,plain 6.5 | 1 | 1 | |
| 11 | 1291233000 | SA2536001 | 电磁铁曲杆组件 | Solenoid lever assy | 1 | 1 | |
| 12 | 12904303 | SA2540001 | 反转曲柄 | Reverse crank | 1 | 1 | |
| 13 | S10021 | 016061031 | 紧定螺钉 M6×10 | screw,pan M6×10 | 2 | 2 | |
| 14 | 12926303 | SA2992001 | 连接销 | Pin | 1 | 1 | |
| 15 | S10019 | 012060636 | 螺钉M6×6 | screw,pan M6×6 | 2 | 2 | |
| 16 | 12903305 | SA2539001 | 电磁铁曲杆轴 | Solenoid lever shaft | 1 | 1 | |
| 17 | S05078 | 018062032 | 螺钉M6×20 | screw,pan M6×20 | 1 | 1 | |
| 18 | 12928002 | 149095009 | 垫圈 | Washer | 1 | 1 | |
| 19 | 11203001 | 153132000 | 倒送料板手定位套 | Oil tube | 1 | 1 | |

R.电机与电控部件/Motor and Electronic control box mechanis



| R.电机电控部件/Motor and safety switch mechanism | | | | | | | | |
|--|----------------|----------------------|----------------------------|---------------------------------|----------|----------|--------|--|
| 序号 No. | 件号 Part No. | 参考件号 Ref.Part No. | 零部件名称 | Name of parts | 数量 Amt. | | 备注 | |
| | | | | | □□3 | □□5 | | |
| 1 | S04028 | | 螺钉M5×8 | screw,pan M5×8 | 3 | 3 | 58□□0J | |
| 2 | 12312011 | | 线夹 | Cord holder | 1 | 1 | 58□□0J | |
| 3 | 12312011 | | 线夹 | Cord holder | 1 | 1 | 58□□0J | |
| 4 | 12912317 | | 线夹 | Cord holder | 1 | 1 | 58□□0J | |
| 5 | 95100119 | | 电机罩壳组件(配鲍麦克斯) | Motor cover asm.powermax | 1 | 1 | | |
| 6 | 1383300900 | | 电机光栅组件(配鲍麦) | Motor grating sensor asm | 1 | 1 | | |
| 7 | S09022 | | GB/T 77-2000 螺钉M3×4 | screw M3×4 | 1 | 1 | | |
| 8 | S09113 | | GB/T77-2000螺钉M6×6 | screw M6×6 | 1 | 1 | | |
| 9 | 95100124 | | 电机转子总成 | Motor rotor | 1 | 1 | | |
| 10 | H03001 | | GB/T894.1-1986挡圈15 | Snap ring 15 | 1 | 1 | | |
| 11 | 95100120 | | 电机定子总成(配鲍麦克斯) | Motor stator,powermax | 1 | 1 | | |
| 12 | 13811060 | | A4-0238电机绝缘防护罩 | Protection cover | 1 | 1 | | |
| 13 | W02058 | | GB 93-1987弹垫d5(镀白锌) | Spring washer 5 | 4 | 4 | | |
| 14 | 951S05001 | | 内六角圆柱头螺钉M5×75 | screw M5×75 | 4 | 4 | | |
| 15 | S09113 | | GB/T77-2000螺钉M6×6 | screw M6×6 | 1 | 1 | | |
| 16 | S09022 | | GB/T 77-2000 螺钉M3×4 | screw M3×4 | 1 | 1 | | |
| 17 | 1233300200 | | 光电伺服电机(鲍麦编码器) | Motor cover asm.powermax | 1 | 1 | | |
| | 1233300600 | | 光电伺服电机(众邦编码器) | Motor cover asm.zobow | 1 | 1 | | |
| 18 | 951S15011 | | 小盘头组合螺钉M3×12 | screw M3×12 | 5 | 5 | | |
| 19 | 1233300100 | | 58420J一体电控(鲍麦) | Electronic control box | 1 | 1 | 58□□0J | |
| 20 | 12311008 | | 电线盖板 | Wire cover plate | 1 | 1 | 58□□0J | |
| 21 | 12311001 | | 58420J电控罩壳 | Electronic control casing | 1 | 1 | 58□□0J | |
| 22 | 1231100100 | | 58420J电控罩壳组件 | Electronic control box | 1 | 1 | 58□□0J | |
| 23 | 13826009 | | 罩壳台阶销 | Pin | 1 | 1 | | |
| 24 | 12922015 | | 橡皮塞 | Rubber plug | 1 | 1 | | |
| 25 | 114S13001 | | 电控固定螺钉M5×20 | screw M5×20 | 4 | 4 | | |
| 26 | W01004 | | GB/T 97.1 M5垫片(镀白锌) | Spring washer 5 | 2 | 2 | | |
| 27 | 1233300300 | | 操作面板组件 | Control panel | 1 | 1 | 58□□0J | |
| 28 | 12333005 | | 双针直驱电控(T19) | Direct drive electronic control | 1 | 1 | 58□□0B | |
| 29 | 138S30006 | | 罩壳固定螺钉 | screw | 1 | 1 | 58□□0B | |

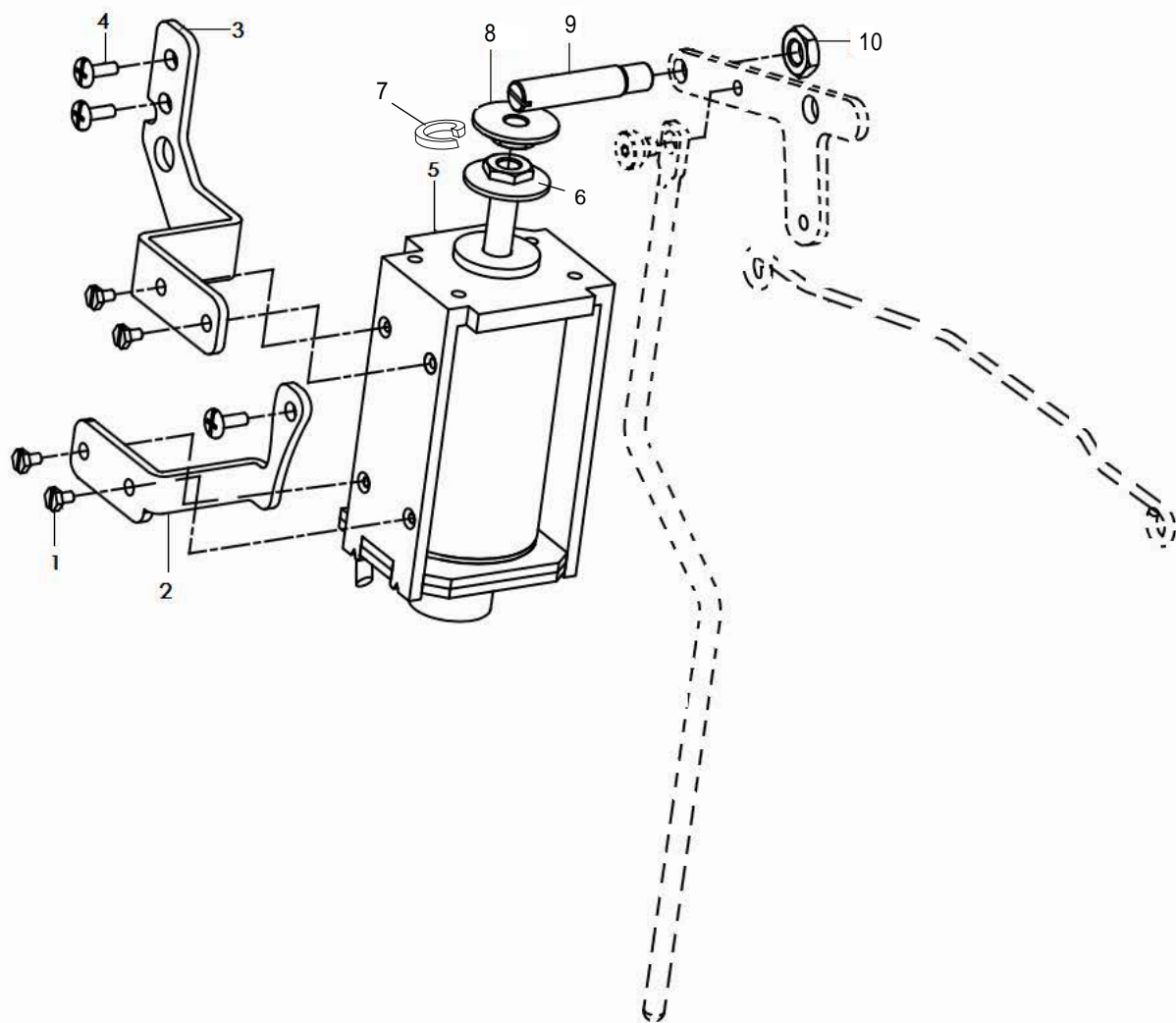
S.倒缝开关分部件/Quick reverse switch mechanism



S.倒缝开关分部件/Quick reverse switch mechanism

| 序号 No. | 件号 Part No. | 参考件号 Ref.Part No. | 零部件名称 | Name of parts | 数量 Amt. | | 备注 |
|-----------|----------------|----------------------|-----------------|-----------------------|---------|-----|-------------|
| | | | | | □□3 | □□5 | |
| 1-1 | 1233000100 | | 倒缝开关 (含LED灯) 5V | Reverse actuator assy | 1 | 1 | 58□20 |
| 1-2 | 1233000200 | | 倒缝开关 (含LED灯) 5V | Reverse actuator assy | 1 | 1 | 58□50 |
| 2 | S04030 | SA2689100 | 螺钉M5×6 | screw,pan M5×6 | 2 | 2 | |
| 3 | 12312010 | | 线夹 | Stopper | 5 | 5 | 58□□0B |
| | 12312010 | | 线夹 | Stopper | 1 | 1 | 58□□0J |
| 4 | S04030 | 062500616 | 螺钉M5×6 | screw,pan M5×6 | 1 | 1 | |
| 5 | 12312011 | | 线夹 | Stopper | 1 | 1 | 58□□0J |
| 6 | S04030 | 062500616 | 螺钉M5×6 | screw,pan M5×6 | 1 | 1 | |
| 7 | 41312089 | | 线夹 | Stopper | 1 | 1 | 58450/58750 |

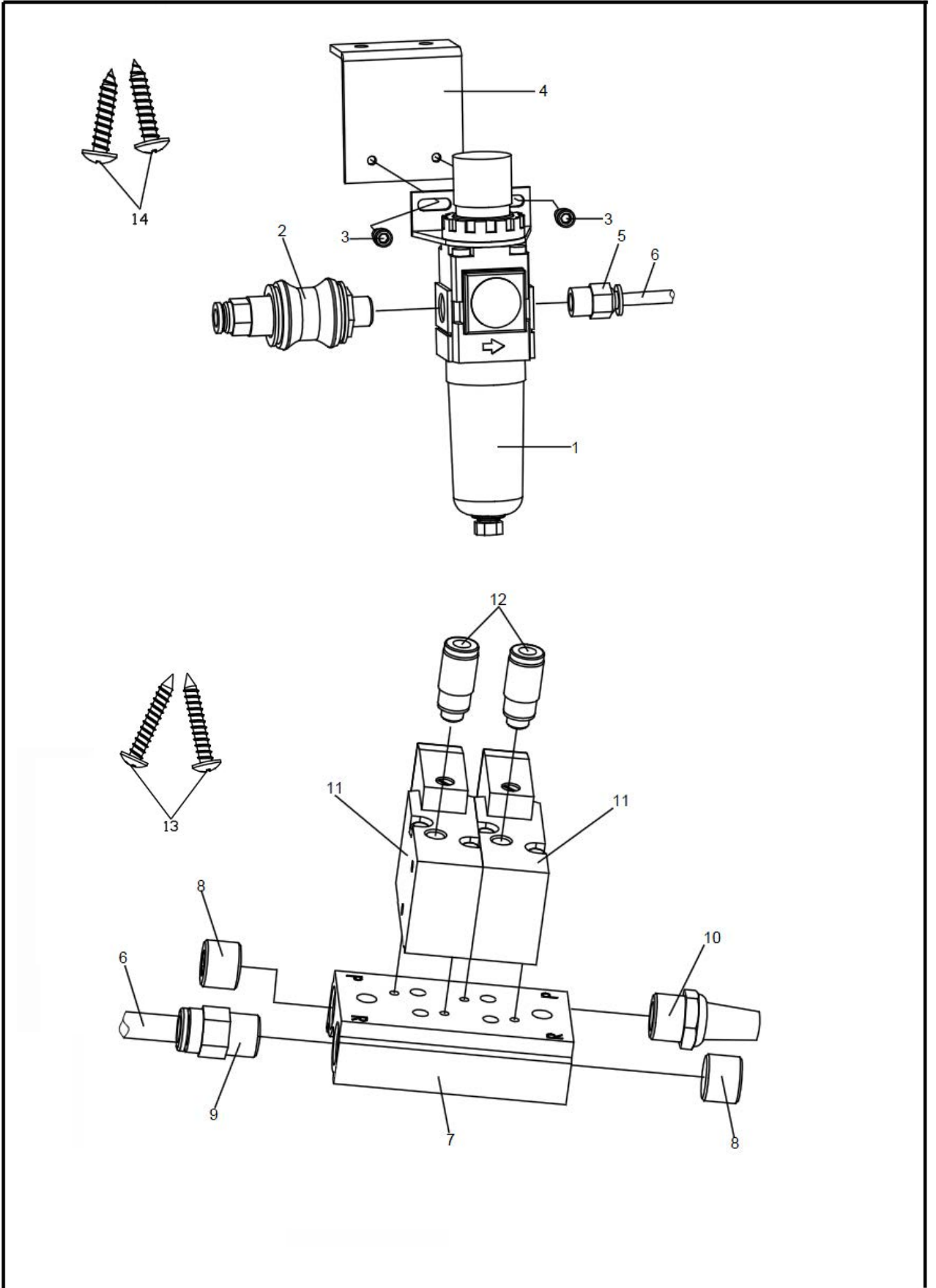
T.自动抬压脚部件/Auto lifter components



T.自动抬压脚部件/Auto lifter components

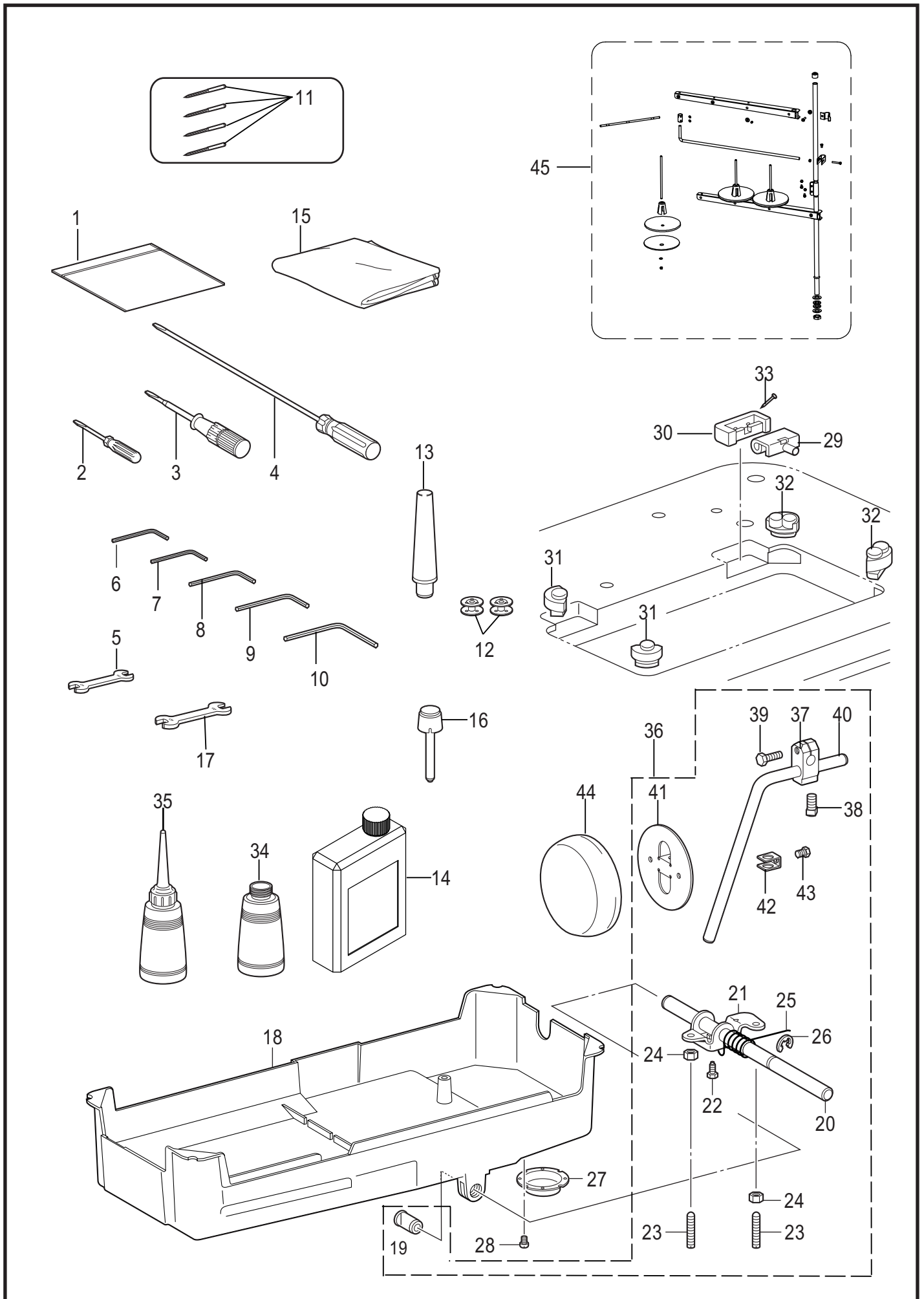
| 序号 No. | 件号 Part No. | 参考件号 Ref.Part No. | 零部件名称 | Name of parts | 数量 Amt. | | 备注 |
|-----------|----------------|----------------------|-------------|----------------|---------|-----|----|
| | | | | | □□3 | □□5 | |
| 1 | 201S12005 | | 电磁铁固定螺钉 | screw | 4 | 4 | |
| 2 | 12912210 | | 电磁铁右支架 | Right bracket | 1 | 1 | |
| 3 | 12912200 | | 电磁铁左支架 | Left bracket | 1 | 1 | |
| 4 | S04028 | | 螺钉 M5×8(镀铬) | screw,Pan M5×8 | 3 | 3 | |
| 5 | 1233000700 | | 内置抬压脚电磁铁组件 | Solenoid asm. | 1 | 1 | |
| 6 | 113S16004 | | 法兰螺母 | Flange nuts | 1 | 1 | |
| 7 | W02023 | | 标准型弹簧垫圈φ8 | Spring washer | 1 | 1 | |
| 8 | 112309001 | | 六角法兰面螺母M8 | Flange nuts | 1 | 1 | |
| 9 | 129S30050 | | 抬压脚链接销 | Link pin | 1 | 1 | |
| 10 | N01028 | | 螺母M8 (镀锌) | Nut M8 | 1 | 1 | |

V. 气动针杆切换装置附件/ Accessories for pneumatic needle bar switching device



V.气动针杆切换装置附件/ Accessories for pneumatic needle bar switching device

| 序号 No. | 件号 Part No. | 参考件号 Ref.Part No. | 零部件名称 | Name of parts | 数量 Amt. | | 备注 |
|-----------|----------------|----------------------|-----------|--|---------|-----|------|
| | | | | | □□3 | □□5 | |
| 1 | 185145121 | | 过滤减压阀 | filter pressure reducing valve | 1 | 1 | -□2□ |
| 2 | 42130096 | | 手动开关 | Switch | 1 | 1 | -□2□ |
| 3 | S05912 | | 螺钉 M5X10 | Screw | 2 | 2 | |
| 4 | 48112066 | | 调压阀连接件 | Brecket | 1 | 1 | -□2□ |
| 5 | 40736018 | | 接头 G1/4" | Joint | 1 | 1 | -□2□ |
| 6 | 185245109 | | 橙色气管Φ6 | Φ6 orange tube | 0.7 | 0.7 | -□2□ |
| 7 | 112345001 | | 2位汇流板 | 2-position busbar | 1 | 1 | -□2□ |
| 8 | 407S12002 | | 汇流板密封螺钉 | plate seal screw | 2 | 2 | -□2□ |
| 9 | 185245016 | | 接头 PT1/8" | Joint | 1 | 1 | -□2□ |
| 10 | 42130092 | | 消音器 | Silencer | 1 | 1 | -□2□ |
| 11 | 185545003 | | 2位3通电磁阀 | 2 position 3 connection solenoid valve | 2 | 2 | -□2□ |
| 12 | 18045011 | | 接头 | Joint | 2 | 2 | -□2□ |
| 13 | 701S30002 | | 木螺钉 M4×25 | Screw pan M4×25 | 2 | 2 | -□2□ |
| 14 | 135S30011 | | 木螺钉 | wood screws | 2 | 2 | -□2□ |



Z.附件/Accessories

| 序号 No. | 件号 Part No. | 参考件号 Ref.Part No. | 零部件名称 | Name of parts | 数量 Amt. | | 备注 |
|-----------|----------------|----------------------|------------------|-----------------------------|---------|-----|-------------|
| | | | | | □□3 | □□5 | |
| 1 | 30131029 | 122991001 | 附属品塑料袋 | Accessory Bag | 1 | 1 | |
| 2 | 10131004 | 142443001 | 螺丝刀 (小) | screwDriver,1.9×52 | 1 | 1 | |
| 3 | 10131003 | 118837001 | 螺丝刀 (中) | screwDriver,3.4×70 | 1 | 1 | |
| 4 | 10131002 | S17774001 | 螺丝刀 (大) | screwDriver,4.7×250 | 1 | 1 | |
| 5 | 30131006 | 100887001 | 扳手 (8mm~10mm) | Wrench | 1 | 1 | |
| 6 | 20131044 | | 直柄内六角螺丝刀(1.5mm) | Hexagonal Wrench 1.5 | | | |
| 7 | 20131046 | 142002001 | 内六角扳手2 | Hexagonal Wrench,2 | 1 | 1 | |
| 8 | 30131010 | 154125001 | 内六角扳手3 | Hexagonal Wrench,2.5 | 1 | 1 | |
| 9 | 30131012 | 142721001 | 内六角扳手4 | Hexagonal Wrench,3 | 1 | 1 | |
| 10 | 20131056 | 149570001 | 内六角扳手6 | Hexagonal Wrench,5 | 1 | 1 | |
| 11 | 11617002 | 107415014 | 机针DP×5 (#14) | Needle ,DP×5 | 4 | | |
| | 10117002 | 107415022 | 机针DP×5 (#21) | Needle ,DP×5 | | 4 | |
| 12 | 11618001 | S01928151 | 梭芯 | Bobbin | 2 | 2 | 58420/58450 |
| | 11818001 | S07741001 | 梭芯 | Bobbin | 2 | 2 | 58720/58750 |
| 13 | 10111011 | | 机头支柱 | Head Rest | 1 | 1 | |
| 14 | 20131037 | S55663001 | 油壶 | Oil Tank Assy | 1 | 1 | |
| 15 | 13831038 | 144226001 | 防尘罩 | Head Cover | 1 | 1 | |
| 16 | 12911014 | 145573000 | 膝控提升顶杆 | Knee Lifter Complying Bar | 1 | 1 | |
| 17 | 40931025 | | 扳手 (9mm~11mm) | Wrench | 1 | 1 | |
| 18 | 12901011 | SA2692101 | 油盘 | Oil Pan | 1 | 1 | |
| 19 | 11636007 | 149578000 | 塑料轴套 | Bush | 1 | 1 | |
| 20 | 12902019 | SA2582001 | 膝控横轴 | Knee Lifter shaft | 1 | 1 | |
| 21 | 12912087 | SA2590001 | 膝控曲柄 | Knee Lifter | 1 | 1 | |
| 22 | 101S12002 | S25344001 | 螺栓M6 | Bolt,M6 | 1 | 1 | |
| 23 | 417S10003 | S25475101 | 螺钉M6×19 | Set screw,M6×19 | 2 | 2 | |
| 24 | N01012 | 021060306 | 六角螺母M6 | Nut,3M6 | 2 | 2 | |
| 25 | 11627011 | S15889001 | 复位弹簧 | Twist Spring | 1 | 1 | |
| 26 | H05010 | 146293001 | 挡圈E10 | Retaining Ring,E10 | 1 | 1 | |
| 27 | 12912088 | 153230101 | 放油口 | Drain | 1 | 1 | |
| 28 | 207S11011 | S23418002 | 螺钉M4×5 | screw,M4×5 | 2 | 2 | |
| 29 | 1011203100 | 143882001 | 机头连接钩组件 | Head Hinge | 2 | 2 | |
| 30 | 10122060 | 143910009 | 机头连接钩座(6-1) (内销) | Rubber Cushion | 2 | 2 | |
| 31 | 12922017 | SA1962001 | 头部防震垫 | Head Cushion | 2 | 2 | |
| 32 | 12922018 | SA1963001 | 头部防震垫 | Head Cushion | 2 | 2 | |
| 33 | 101S30010 | 109714000 | 机头连接钩座钉 | Nail | 4 | 4 | |
| 34 | 11631008 | 114486002 | 油壶 | Oiler | 1 | 1 | |
| 35 | 11631008 | 114483002 | 油壶组件 | Oiler Assy | 1 | 1 | |
| 36 | 1160101000 | S38300001 | 脚弓托架组件 | Knee Lifter Assy | 1 | 1 | |
| 37 | 12912417 | 146039121 | 操纵杆接头 | Knee Lifter Bracket | 1 | 1 | |
| 38 | 101S12003 | 100463021 | 操纵杆接头螺钉 | Knee Lifter Bracket , screw | 1 | 1 | |
| 39 | 129S12002 | S35820021 | 锥头螺钉M6 | screw,Pan M6 | 1 | 1 | |
| 40 | 12912414 | S38278001 | 操作杆 | Knee Lifter Bar | 1 | 1 | |
| 41 | 12912415 | S34756021 | 操作板 | Knee Lifter Plate | 1 | 1 | |
| 42 | 12912416 | 114967021 | 操作杆接头 | Knee Lifter Plate Stopper | 1 | 1 | |
| 43 | 101S12004 | 110087021 | 螺钉M6 | screw,Pan M6 | 1 | 1 | |
| 44 | 10122024 | S31885001 | 操纵板软垫 | Knee lifter plate cover | 1 | 1 | |
| 45 | 1233100600 | | 线架组件 3DRTHF | Cotton Stand Assy,3DRTHF | 1 | 1 | |

针位组零件明细表/Gauge parts list

| 电脑机 (自动剪线) / Computer machine (Auto Thread Trimming) | | | | | | | | |
|--|-----------------------|-----------------------------------|--|------------------------------------|-----------------------|-----------------------------------|--|------------------------------------|
| 机型 Modle | 58420G/58420J系列 | | | 58450G/58450J系列 | | | | |
| | 针板 Needle Plate | 压脚 Presser Foot Assembly | 送布牙 Feed Dog | 针夹头 Needle Clamp Assembly | 针板 Needle Plate | 压脚 Presser Foot Assembly | 送布牙 Feed Dog | 针夹头 Needle Clamp Assembly |
| 1/8" (3.2mm) | 12915306 | | 810586 | | 12915306 | 810590 | | |
| 3/16" (4.8mm) | 12915307 | | 810756 | | 12915307 | 810761 | | |
| 1/4" (6.4mm) | 12915206 | 1291632500 | 12914301 (-3) 12914314 (-5) 12914315 (*) | 11634001 | 12915206 | 1291632500 | 12914301 (-3) 12914314 (-5) 12914315 (*) | 11734002 (左) 11734003 (右) |
| 5/16" (7.9mm) | 12915309 | | 804008 | | 12915309 | 810800 | | |
| 3/8" (9.5mm) | 12915308 | | 810587 | | 12915308 | 810591 | | |
| 1/2" (12.7mm) | 12915312 | | 810588 | | 12915312 | 810592 | | |
| 5/8" (15.9mm) | 12915314 | | 810589 | | 12915314 | 810593 | | |
| 3/4" (19mm) | 12915315 | | 811002 | | 12915315 | 811005 | | |
| 7/8" (22.2mm) | 12915316 | | 811003 | | 12915316 | 811006 | | |
| 1" (25.4mm) | 12915317 | | 811004 | | 12915317 | 811007 | | |

(-3) 为薄料送布牙, (-5) 为厚料送布牙, *为椭圆形针孔送布牙适用于极厚料。

(-3) thin material feed dog, (-5) Thick material feed dog.

58420G与58420J系列电脑车针板杰克克专用, 除针板外其他针位与兄弟款电脑车通用, 与重机双针电脑车针位不通用。

备注

Remarks

针位组零件明细表/Gauge parts list

| 机型 Mode | 普通机/Ordinary machine | | | | | | | |
|--------------------------------|--|-----------------------------------|-----------------|------------------------------------|---------------------------|-----------------------------------|-----------------|------------------------------------|
| | 58420/58420B/58720/58720B | | | | 58450/58450B/58750/58750B | | | |
| 针位距离 Needle gauge (mm) | 针板 Needle Plate | 压脚 Presser Foot Assembly | 送布牙 Feed Dog | 针夹头 Needle Clamp Assembly | 针板 Needle Plate | 压脚 Presser Foot Assembly | 送布牙 Feed Dog | 针夹头 Needle Clamp Assembly |
| 1/8" (3.2mm) | 800980 | | | | 1293407700 | | | |
| 5/32" (4mm) | 1293406300 | | | | 1293407800 | | | |
| 3/16" (4.8mm) | 800979 | | | | 804060 | | | |
| 1/4" (6.4mm) | 12915004 | 1291600200 | 12914001 | 11634001 | 12915004 | 1291600200 | 12914001 | 11734002 (左) 11734003 (右) |
| 5/16" (7.9mm) | 804053 | | | | 803190 | | | |
| 3/8" (9.5mm) | 804009 | | | | 804065 | | | |
| 7/16" (11.1mm) | 1293406700 | | | | 1293408200 | | | |
| 1/2" (12.7mm) | 804055 | | | | 804056 | | | |
| 5/8" (15.9mm) | 810101 | | | | 1293403700 | | | |
| 3/4" (19mm) | 1293407000 | | | | 1293408300 | | | |
| 7/8" ☆ (22.2mm) | 1293407100 | | | | 1293408400 | | | |
| 1" ☆ (25.4mm) | 1293407200 | | | | 1293408500 | | | |
| 1-1/4" ☆ (31.8mm) | 1293407300 | | | | 1293408600 | | | |
| 1-1/2" ★ (38.1mm) | 1293407400 | | | | 1293408700 | | | |
| 1-5/8 " ★ (41.3mm) | 1293407500 | | | | 1293408800 | | | |
| 1-13/16" ★ (46mm) | 1293407600 | | | | 1293408900 | | | |
| 备注 Remarks | ☆58720B/58750B针位对应的机壳不通用，需要公司定做。 ☆58720B/58750B The shell of needle is not common and needs to made by the company. ★此类针位对应的所有机壳不通用，需要公司定做。 ★All the shells corresponding to this kind of needle are not common and needs to made by the company. | | | | | | | |

双针系列机型装箱清单

Packing list of series head for double needle lockstitch sewing machine

| 序号 No. | 件号 Part No. | 零件名称 | Name of parts | 数量Amt. | 备注 Note |
|--------|-------------|---------------------|---------------------------|---------|-------------|
| 1 | | 机头 | Sewing machine head | 1 | |
| 2 | | 装箱清单 | Packing list | 1 | |
| 3 | 20731047 | 螺丝刀(大) | Screw drive L | 1 | |
| 4 | 10131003 | 螺丝刀(中) | Screw drive M | 1 | |
| 5 | 10131004 | 螺丝刀(小) | Screw drive S | 1 | |
| 6 | 30131006 | 扳手(8mm-10mm) | Wrench(8mm-10mm) | 1 | |
| 7 | 40931025 | 扳手(9mm-11mm) | Wrench(9mm-11mm) | 1 | |
| 8 | 20131044 | 直柄内六角螺丝刀(1.5mm) | Hexagonal Wrench 1.5 | 1 | 58450/58750 |
| 9 | 20131046 | 内六角扳手(2mm) | Hexagonal Wrench 2 | 1 | |
| 10 | 30131010 | 内六角扳手(2.5mm) | Hexagonal Wrench 2.5 | 1 | |
| 11 | 30131012 | 内六角扳手(3mm) | Hexagonal Wrench 3 | 1 | |
| 12 | 20131056 | 内六角扳手(5mm) | Hexagonal Wrench 5 | 1 | |
| 13 | 20131051 | 镊子 | Nipper | 1 | |
| 14 | 11617002 | 机针DP×5 (#14) | Needle DP×5 (#14) | 4 | -□□3 |
| | 10117002 | 机针DP×5 (#21) | Needle DP×5 (#21) | 4 | -□□5 |
| 15 | 11618001 | 梭芯 | Bobbin | 2 | 58420/58450 |
| | 11818001 | 梭芯 | Bobbin | 2 | 58720/58750 |
| 16 | 10111011 | 机头支柱 | Head rest | 1 | |
| 17 | 20131037 | 油壶 | Oiler | 1 | |
| 18 | 12911014 | 膝控提升顶杆 | Knee Lifter Complying Bar | 1 | |
| 19 | 20131079 | 8.5×12袋 | Bag (8.5×12) | 2 | |
| 20 | 12901011 | 油盘组件 | Oil Pan Assy | 1 | |
| 21 | 12922017 | 头部防震垫 | Head Cushion | 2 | |
| 22 | 12922018 | 头部防震垫 | Head Cushion | 2 | |
| 23 | 1011203100 | 机头连接钩组件 | Head Hinge 6-1 | 2 | |
| 24 | 10122060 | 机头连结钩座(6-1)(内销) | Nail | 2 | |
| 25 | 11411029 | 注射器 | Injector | 1 | |
| 26 | 20131075 | 干燥剂 | Desiccant | 4 | |
| 27 | 20131077 | 20×15袋 | Bag (20×15) | 2 | |
| 28 | 20131078 | 32.5×7袋 | Bag (32.5×7) | 1 | |
| 29 | 12931023 | 塑料袋(600×300×600) | Bag (600×300×600) | 1 | |
| 30 | 13831018 | 防尘罩77×51(cm) | Head Cover | 1 | |
| 31 | 11631008 | 油壶 | Oiler | 2 | |
| 32 | 1160101000 | 脚弓托架组件 | Knee Lifter Assy | 1 | |
| 33 | 1233100600 | 线架组件 3DRTHF | Cotton Stand Assy,3DRTHF | 1 | |
| 34 | 11431038 | 进口黄油 | Oil | 0.003Kg | |
| 35 | 12931009 | 说明书 | Instruction Book | 1 | |
| 36 | S01031 | GB/T65-1985螺钉M4×4.7 | Screw | 2 | |
| 37 | 20131159 | 73×130合格证 | Product Qualified Card | 1 | |
| 38 | 10131093 | 标签纸70×30 | Label | 1 | |
| 39 | 121131010 | 标签纸80×50 | Label | 2 | |
| 40 | 11631025 | 泡沫箱 | Foam Box | 1 | |
| 41 | 12931006 | 纸箱 | Carton Packing | 1 | |
| 42 | 12931014 | 泡沫块 | Foam Block | 2 | 58420J系列 |
| 43 | 101S30010 | 鞋钉P19 | Shoe Nails | 4 | |
| 44 | | 鲍麦调速器 (包括拉杆、安装螺钉) | Speed Controller | 1 | 58420J系列 |
| | 10130043 | 众邦调速器 (包括拉杆、安装螺钉) | Speed Controller | 1 | 58420B系列 |

杰克缝纫机
全球销量遥遥领先
Leading in global sales

400-8876-858
www.chinajack.com



JACK SEWING MACHINE CO.,LTD.

2020年04月, Edition, 2020 April

杰克缝纫机股份有限公司

中国浙江省台州市椒江区三甲东海大道东段1008号

电话 :0086-576-88177788 88177789

传真 :0086-576-88177758

产品标准代号 : Q/TK 007-2017

资料如有更改, 恕不另行通知, 以实样为准

JACK SEWING MACHINE CO.,LTD.

NO.1008 , DONGHAI AVENUE EAST , JIAOJIANG DISTRICT,TAIZHOU CITY , ZHEJIANG

TEL: 0086-576-88177782 88177767

FAX: 0086-576-88177787

www.chinajack.com

Standard code of the products:Q/TK 007-2017

You will be not informed if the file has been revised. Please set sample as standard.