



JK-798T  
产品使用说明书&产品零件图册  
Manual book & parts book

**JACK 杰克**

# 目录/CONTENTS

使用说明/Use Manual	1
一、机壳部分/Machine Bed Frame	5
二、机壳机罩部件(1)/Cover(1)	7
三、机壳机罩部件(2)/Cover(2)	9
四、主轴部件/Crankshaft Drive Mechanism	11
五、夹线部件/Thread Tension Mechanism	13
六、过线机构(1)/Thread Guide and Thread Takeup(1)	15
七、过线机构(2)/Thread Guide and Thread Takeup(2)	17
八、过线机构(3)/Thread Guide and Thread Takeup(3)	19
九、针杆部件(1)/Needle Drive Mechanism(1)	21
十、针杆部件(2)/Needle Drive Mechanism(2)	23
十一、针杆部件(3)/Needle Drive Mechanism(3)	25
十二、上弯针部件/Upper Looper Drive Mechanism	27
十三、下弯针部件/Lower Looper Drive Mechanism	29
十四、二重环弯针机构(1)/Chainstitch Looper Drive Mechanism(1)	31
十五、二重环弯针机构(2)/Chainstitch Looper Drive Mechanism(2)	33
十六、差动调节机构/Feed Mechanism	35
十七、送布机构/Feed Mechanism	37
十八、剪布机构/Knife Drive Mechanism	39
十九、抬压脚机构/Presser Foot Mechanism	41
二十、供油机构(1)/Lubrication Mechanism(1)	43
二十一、供油机构(2)/Lubrication Mechanism(2)	45
二十二、HR装置机构部件/H.R.Device	47
二十三、上送机构(1)/Top Feed Mechanism(1)	49
二十四、上送机构(2)/Top Feed Mechanism(2)	51
二十五、上送机构(3)/Top Feed Mechanism(3)	53
二十六、线架部件/Thread Stand	55
二十七、托盘部件/Part For Semi-Submerged Installation	57
二十八、专用零件/Specific Parts	59
二十九、专用零件/Specific Parts	61
三十、798TDI直驱部件/798TD I Direct Drive Assemblies	63
三十一、随机附件部分/Accessories Assemblies	65
标准度量零件表/Standard measurement part list	67

## ⚠ 为了安全

对于缝纫机本身各种装置，我们充分考虑到它的安全性。请遵照基本的操作方法，安全的进行工作。

- 拆除为保证安全所设置的装置，零件的情况下使用，是非常危险的，请绝对不要拆除后使用。
- 缝纫机在使用时，请不要在缝纫机台板上放置工具及缝纫时不必要的物品。
- 在对缝纫机进行检修、调节、清扫、穿线、换针等工作时，为防止发生事故，务必请切断电源，在确认即使踩下缝纫机踏板，缝纫机也不转动之后，再进行操作。

## ⚠ OBSERVE THESE SAFETY PRECAUTIONS

Though Our takes the utmost care to produce safe sewing machines and devices, operators should follow these basic safety rules.

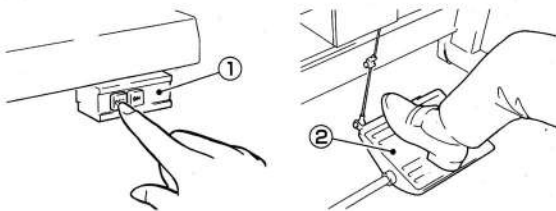
- To prevent accidents, do not remove safety devices or parts while operating the machine.
- Do not leave tools or other unnecessary objects on the machine table while operating the machine.
- Before maintenance, adjusting, cleaning, threading or replacing the needle, and to prevent accidents, be sure the power is turned off. Check that the machine will not operate when the pedal is pressed.

## 注意

使用离合式马达的情况下，在关掉电源①后因惯性作用会继续旋转。这时如不注意踩动缝纫机踏板②时，缝纫机会突然动作，这是很危险的。请在关掉电源后，仍继续踩动踏板②，直至缝纫机完全停下来为止。

## Note

In case a clutch type motor is used, it will keep on rotating by inertia after turning off power supply. ①If the machine pedal ② is stepped on inadvertently, it is dangerous because the machine will move unexpectedly.



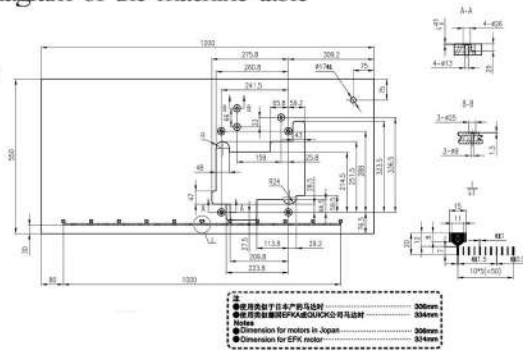
- 在离开缝纫机台时，务必请关掉电源。
- 停电时也请务必关掉电源。
- 为了总是安全地，运转良好的使用缝纫机，日常的点检是不可缺少的，请予以注意。
- Turn the power off before leaving the machine table.
- In the event of a power failure, be sure to turn the machine off.
- Check that the machine is securely grounded.

## 台板加工图

请参照下图进行台板的加工

## Schematic diagram of the machine table

Cut the table referring to the diagram

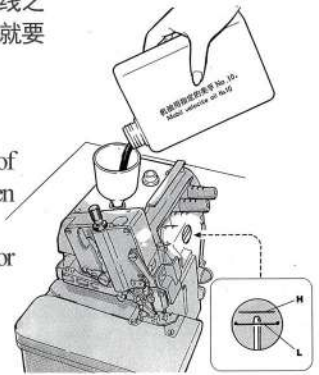


## 供油

加油量是使油面处于H线与L线之间为好。当油面低于L线时，就要及时补充机油。

## Lubrication

After filling the oil pan, the top of the indicator should lie between (H) and (L) lines. Add oil, when the oil level indicator reaches or goes below (L).

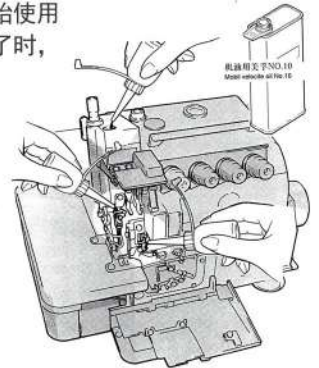


## 手动给油

手动给油是在缝纫机最初开始使用时。或相当一段时间没使用了时，请供给2~3滴油。

## Manual Lubrication

Apply 2 or 3 drops of oil by hand when the machine is used for first time or has been left unused for some time.



## 给HR装置供油

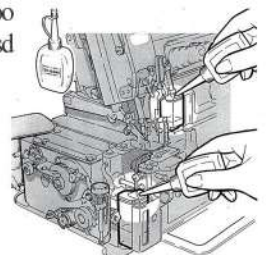
为防止断线，尽早给HR装置供油。

注：关于购买硅油，请向问代理店或与公司营业部联系。

## Filling the HR device with silicon oil

Fill the HR device with oil before it is too low in order to prevent needle thread breakage and fabric damage.

Note: Use Pegasus recommended silicon oil. [UNION CARBIDE CORPORATION] UCC L-45(10)



## 穿线的方法 Threading

打开压脚杆及机盖（三处）  
Open three covers. Sewing the presser foot aside.

把机上原有的线与缝纫用线绑结在一起。

Knot the preset thread and the thread being used together to thread the machine.

针线  
将线拉到针眼前，剪掉结头再次穿好针线。

Needle thread Trim the knots off neatly before passing through the eye of the needle to rethread.

若机上原来没有线，请参照穿线图正确进行穿线。  
Make sure the machine is threaded correctly by referring to the threading diagram.

弯针线

线拉出接头后，用剪刀齐接头。  
Looper thread Trim the knots off neatly after passing through the eye of the looper.

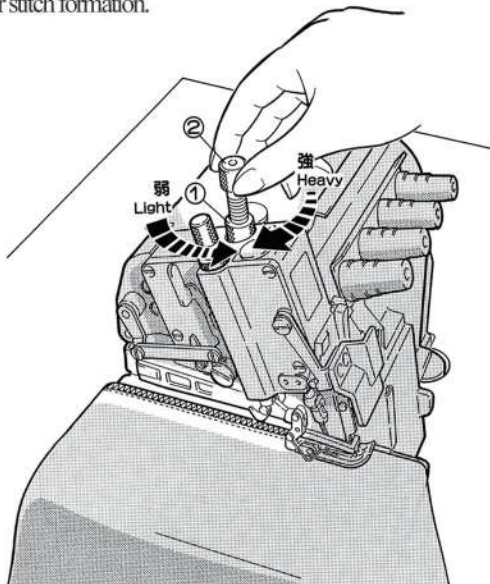
过线图  
Threading diagram

## 上送布牙压力的调节

请松动螺母①拧动螺母②，对上送布牙压力进行调节在能得到稳定线迹的范围内，请尽量调松。

### Adjusting the top feed pressure

Loose the adjusting nut ① and turn adjusting ② to adjust the top feed pressure. It should be as light as possible. Yet be sufficient to obtain the proper stitch formation.

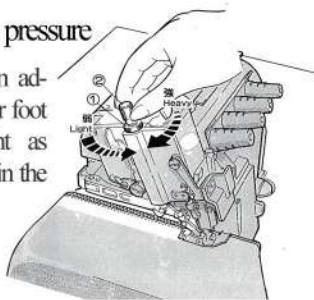


## 压脚压力的调节

压脚压力的调节，松动螺母①，调节螺母②，在送布得到稳定状态下尽可能使用较弱的压力为好。

### Adjusting the presser foot pressure

Loosen adjusting nut ① and turn adjusting nut ② to adjust the presser foot pressure. It should be as light as possible, yet be sufficient to obtain the proper stitch formation.

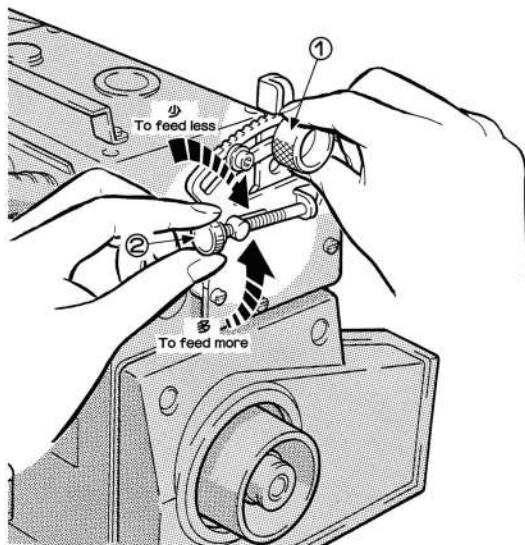


## 上送布牙前后量的调节

请松动螺母①后拧动螺母②来调节上送布牙的前后量

### Adjusting the top feed front-to-back

After loosening the adjusting nut ①, turn the adjusting nut ② to adjust the top feed front-to-back motion.

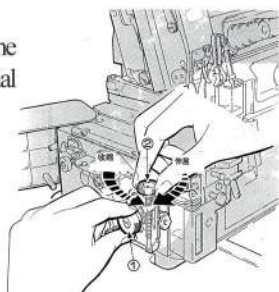


## 差动比的调节

差动比的调节松开螺母①调节螺母②。

### Adjusting the diff. feed ratio

Loosen the adjusting nut ① and turn the adjusting nut ② to adjust the differential feed ratio.



## 针脚长度的调节

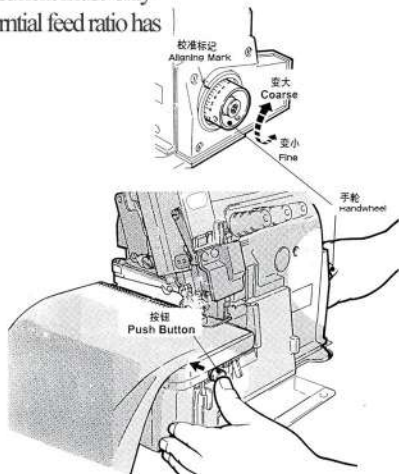
1. 按住按钮，旋转手轮，按钮会陷进更深处。
2. 这时边按住按钮，边转动手轮，使校准标记对准所希望的数值。

注：针脚长度的调节务必请在调节差动比之后进行。

## Adjusting the stitch length

1. While pressing the push button, turn the handwheel to seek the position at which the push button goes further into the depth.
2. Then, keeping the push button pressed, turn the handwheel and set the desired scale to the aligning mark.

Note: Stitch length adjustment must only be made after the differential feed ratio has been changed.

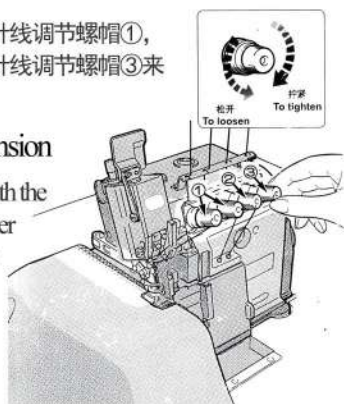


## 线状态的调节

线张力状态的调节，请用针线调节螺帽①，上弯针线调节螺帽②，弯针线调节螺帽③来进行调节。

## Adjusting the thread tension

Make tension adjustments with the needle thread knob ①, the upper looper knob ②, and the lower looper knob ③.

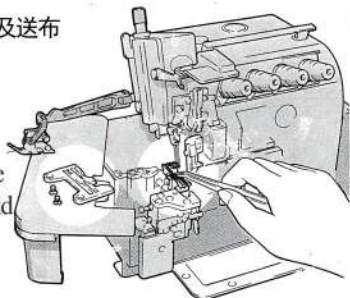


## 缝纫机的清扫

缝纫机的清扫，以针板槽及送布牙周围为主。

## Cleaning the machine

Mainly the slots of the needle plate and the feed rows should be cleaned.



## 换针

准确辨认针的前后，请将针凹向着后方，即背向操作者进行安装。针要牢固的插到孔的最深处。

标准使用针：风琴DC×27

包缝系列：风琴DC×5

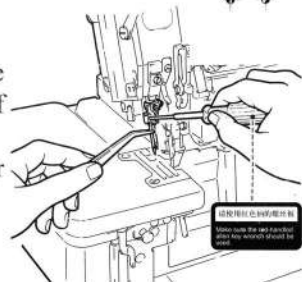
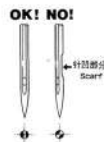
## Replacing the needle

Check the needle carefully to see that the scarf is turned to the rear of the machine.

Insert the needle to the proper depth, and fasten securely.

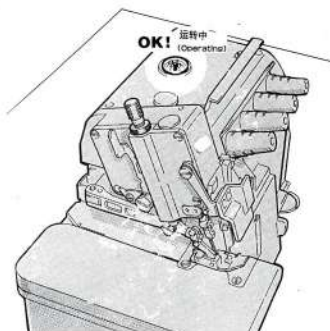
Standard needle: Organ DC×27

5200H(3200H) series: Organ DC×5



## 检查机油的循环

## Checking the oil circulation

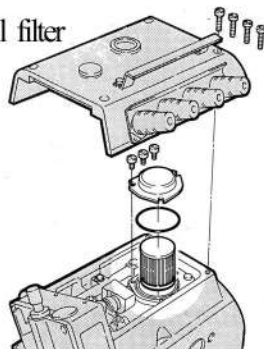


## 检查油质量，更换油

机油每6个月检查并更换。

## Checking and replacing the oil filter

Check and replace the oil filter every six months.

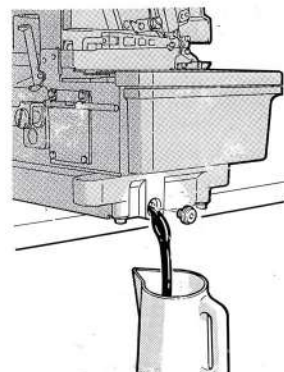


## 换机油

机油的更换，请在使用开始1个月后将更换一次，然后，每6个月更换一次。供油请参见第2页。

## Replacing the oil

Replacing the oil one month after the first use and every six months thereafter. (See p.2.)

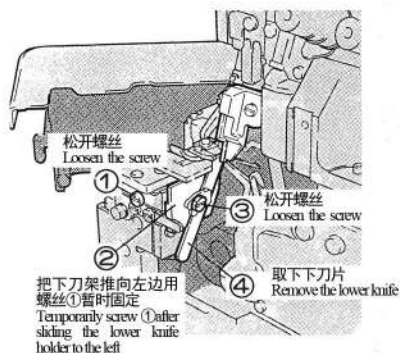


# 下刀片的更换

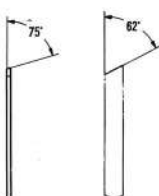
卸下下刀片

## Replacing the lower knife

To remove the lower knife

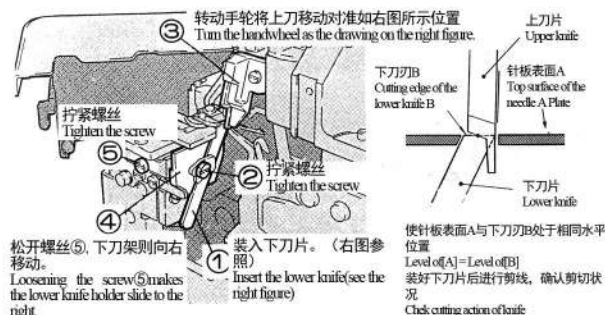


下刀片正确的研磨角度  
Correct angles to resharpen the lower knife



## 安装下刀片

To replace the lower knife



## 错误代码一览表 List of error codes

E1	电机发生堵转故障 Motor with locked-rotor problem	电机负荷过大, 请减轻负荷后重启电机; Please reduce the load capacity and then restart the motor 请检查缝料是否过大; please check if the sewing material is too heavy 机器是否缺少润滑油; Please check if the machine needs lubrication. 检查10芯电机插件是否松动或者脱落; Please check if the 10core line connect well or not
E2	过流或者欠压 over-current or under-voltage	请检查供电电压是否正常; Please check the voltage 一般是负荷过大或者控制器故障引起的, 若重启后也不能解决, 建议联系经销商解决; Because of supercharge or controller failure, if turn on the motor again can't solve the problem, please contact the local agent 检查10芯电机插件是否松动或者脱落; Please check if the 10core line connect well or not
E3	主板读参数错误 The board can not read the parameter	出现此种状况, 需要关闭电源, 稍后再打开电源开关即可; Please turn off the power and then turn it on again. 若重启后也不能解决, 建议联系经销商解决; If can't solve the problem, please contact the local agent
E4	电机霍尔信号出错 Hall signal error	请检查电机10芯插头连接是否可靠, 霍尔信号线是否有断线, 插头是否退出或者变形; Please check if the 10core line connect well or not, please check if the connect line of hall is well or not
E5	定针位出错 Needle position with problem	请检查定位器插头连接是否可靠。 If the positioner damage or don't need needle position function and with Er5 code, please keeping press S around 3seconds, enter parameter model, set M value into 0 can turn off the function

注意: 系统报错后, 机器将无法运行, 显示屏持续显示错误码, 请排除故障后再上电。  
Note: If the control box give the error code made the machine can't run, please don't turn on the power till the problem solved

## 工业缝纫机安全使用注意事项

### Notes for safe use of industrial sewing machines

- 必须遵守基本措施;  
Basic measures must be observed.
- 必须经过专业培训, 对缝纫机设备性能;  
Pass the specialized training and master sewing machine equipment performance.
- 使用前应检查所有安全装置;  
All safety devices should be checked before use.
- 在安装机针、更换机针、压脚、针板、送布牙、弯针、旋梭或修理时, 应立即关闭电源;  
When installing needle, and changing needle, presser foot, plate, feed dog, bent needle, hook or repairing, the power supply should be turned off immediately.
- 离开缝纫机或工作场所时应关闭电源;  
Power should be turned off when leaving the sewing machine or workplace.
- 使用离合马达时, 要等待马达完全停止后再进行;  
When using the clutch motor, please wait until the motor stops completely.
- 缝纫机及附属装置使用的机油, 润滑油等液体流入眼睛或沾到皮肤上应立即清洗;  
The machine oil and other liquids used in sewing machines and ancillary devices should be cleaned immediately when they are put into eyes or touch skin.
- 禁止用手触摸缝纫机通电时的零件或装置;  
Do not touch the parts or devices when the machine is powered by hand.
- 有关工业用平缝机与包缝机的修理、改造、主要机构的调整由专门技术人员来进行;  
The repair, renovation and adjustment of the main mechanisms of the relevant industrial sewing machines and overseers shall be carried out by specialized technicians.
- 一般的维修保养由专人负责;  
General maintenance is carried out by specially-assigned persons.
- 在电气方面的修理应在电气技术员的监督和指导下进行;  
Electrical repairs should be performed under the supervision and direction of the electrical technician.
- 缝纫机使用期间应定期清扫;  
The machine should be cleaned regularly during operation.
- 为了正常安全运转, 应安装地线, 同时应在不受高频焊接机等强噪声源影响的环境下使用;  
In order to operate normally and safely, ground lines should be installed, and they should be used in an environment free from strong noise sources such as high frequency welding machine.
- 电源插头应由专人安装;  
Power plug should be installed by specially-assigned person.
- 工业用平缝机、包缝机在指定用途以外不能使用。  
Industrial lockstitch sewing machine and overlock sewing machine can not be used except the designated use.

NO.	机型	针高度 (±0.1)	下弯针 引量	上弯针		弯针引 量	送布脚 斜度	送布 高度	送牙		送布偏 心量	
				高度	弯针左 右位置				上送牙高度 (按下送齿 上面)	辅助 送齿 厚度		
1	JK-7987DI-4-514-M03/333	10.5	3.8	5.4~5.7	10.5	13.5	/	水平	0.8	0.2	0.5	0.35~2
2	JK-7987DI-4-514-M04/435	11.9	4.2	5.4~5.7	11.5	13.5	/	水平	1	0.2	0.5	0.35~2
3	JK-7987DI-4-514-A04/435	11.9	4.2	5.4~5.7	11.5	13.5	/	水平	1	0.2	0.5	0.35~2
4	JK-7987DI-5-516-03/333	10.5	3.8	4.4~4.7	10.8	14.5	1.5	水平	0.8	0.2	0.5	0.35~2
5	JK-7987DI-5-516-03/333	10.5	3.8	4.4~4.7	10.8	14.5	1.5	水平	0.8	0.2	0.5	0.35~2
6	JK-7987DI-5-516-03/333/H	11.5	3.9	4.4~4.7	10.8	14.5	1.5	水平	0.8	0.2	0.5	0.35~2
7	JK-7987DI-5-516-A04/435	11.9	4.2	4.4~4.7	12	14.5	1.7	水平	1	0.2	0.5	0.35~2

## 参数表 Parameter list

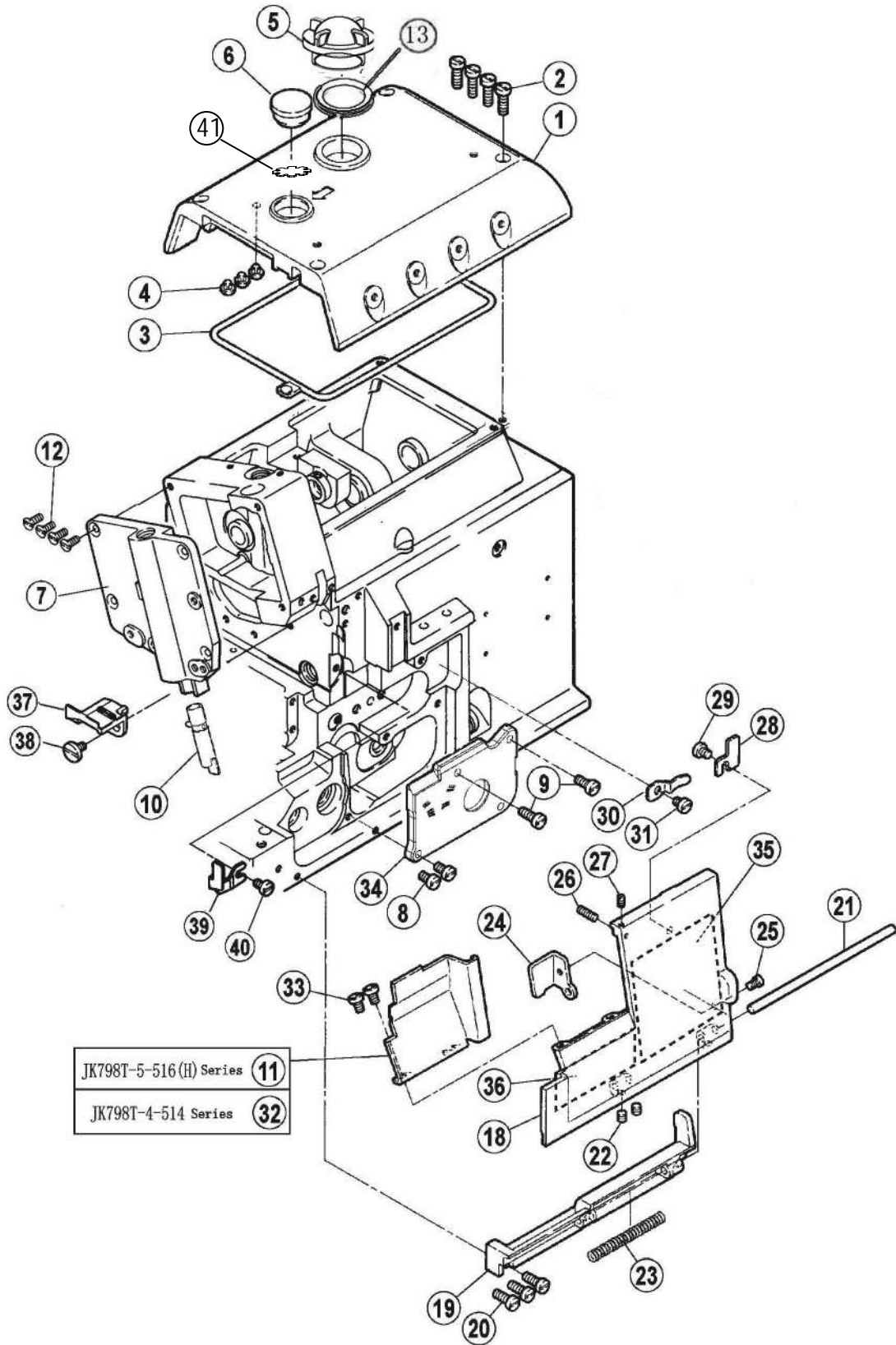
参数	Para-meter	参数作用	function	参数说明	description
V	速度	Parameter for adjust the speed		速度=显示值x100 (转/分) Speed=Value show in the digital X100(RPM/min)	
M	自动停针功能开关	Set needle position function		0: 关闭自动停针功能 0: turn off needle position function 1: 打开自动停针功能 1: turn on needle position function	
Y	自动停针	Parameter for needle position		右数码管上横高表示上针位; 右数码管下横高表示下针位。 Digital tube show "-" in upper location means upper needle position and in down location means down needle position 注意: 当M参数设置为0时, Y参数将不显示。 Note: Y do not work when M value is 0	
b	电机转动方向	Set the rotation		数码管笔断转动方向表示电机转动方向 The LED light running direction in the right side digital tube means the rotation of the motor	



## 一、机壳部分/Machine Bed Frame

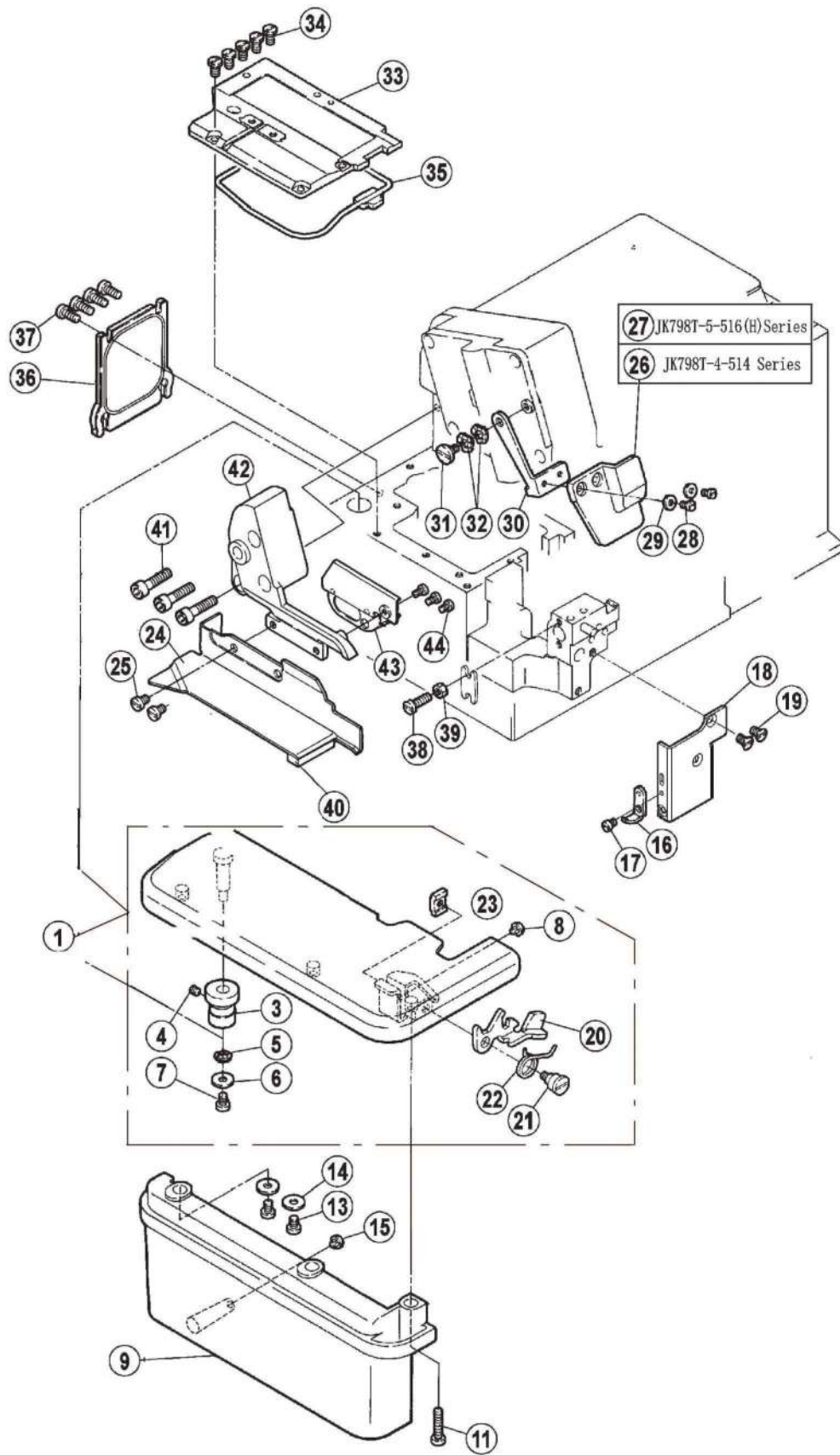
序号 NO.	公司件号 Part NO.	参考件号 Ref. Part No.	名称	Description	数量 (Number)		
					三线 three-thread	四线 four-thread	五线 five-thread
1	20726018		下刀座定位销	Pin	1	1	1
2	P03017	201002	销5×10	Pin	1	1	1
3	20711001	210194	导向套	Indicator guide	2	2	2
4	20713027	240325	过线管	Pipe	2	2	2
5	P03018	240299	销4×40	Pin	1	1	1
6	20628023	208173	送布轴油封	Plug	1	1	0
7	20701002	270008-91	下刀座	Bracket Assembly	1	1	1
8	207S13003	4511	螺钉M6×25	Screw	2	2	2
9	206S30001	270047	支柱	Bed pin	4	4	4
10	P03019	240342	销5×14	Pin	1	1	1
11	20126001	----	工艺孔销	Pin	1	1	1
12	20726009	----	厚料摇杆定位销	Pin	0	0	1(厚料)
13	20701001	270001-9S	机壳	Machine Bed Complete	1	1	1
14	20703001	----	上轴右套	Sleeve	1	1	1
15	20703002	----	上轴左套	Sleeve	1	1	1
16	20703003	----	送布右轴套	Sleeve	1	1	1
17	20703004	----	上刀轴左套	Sleeve	1	1	1
18	20703009	----	上刀轴右套	Sleeve	1	1	1
19	20703006	----	上弯针后轴套	Sleeve	1	1	1
20	20703007	----	主轴轴套	Sleeve	1	1	1
21	20703008	----	差动轴套	Sleeve	1	1	1
22	20703009	----	上刀轴右套	Sleeve	4	4	6
23	121126003	----	滑杆座定位销	Pin	0	1	1





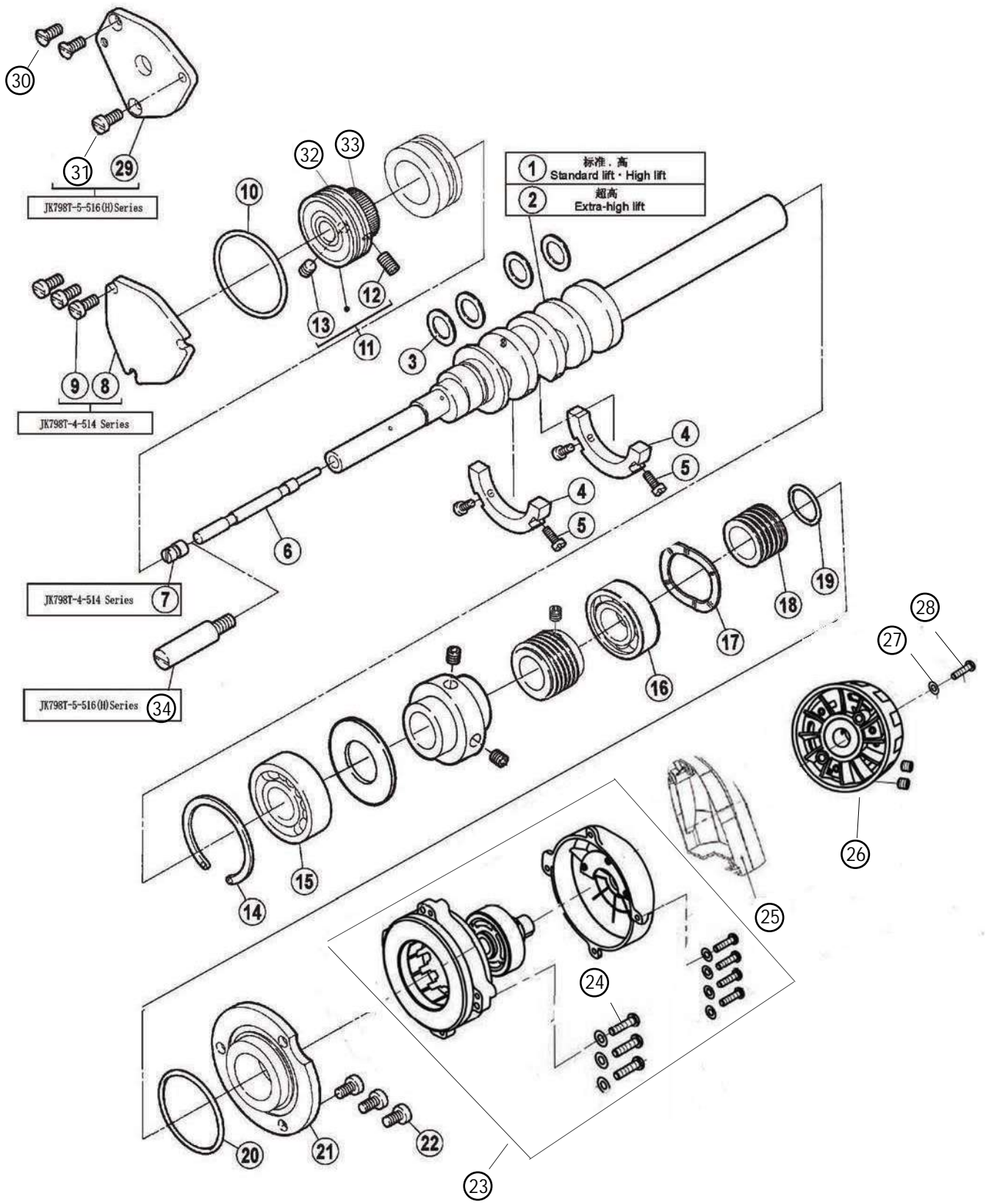
## 二、机壳机罩部件(1)/Cover(1)

序号 NO.	公司件号 Part NO.	参考件号 Ref. Part No.	名称	Description	数量 (Number)		
					三线 three-thread	四线 four-thread	五线 five-thread
1	300164	270020-SD	上罩	Top Cover	1	1	1
2	S04060	7020	螺钉M4×10	Screw	4	4	4
3	20722001	270021	密封垫	Gasket	1	1	1
4	20622003	240305	减震垫	Cushion Rubber	3	3	3
5	20711055		油标盖	Oil sight window	1	1	1
6	20722002	240110	油塞	Plug	1	1	1
7	301132		侧盖	Side Cover	1	1	1
8	S04060	7020	螺钉M4×10	Screw	2	2	2
9	207S11008	7021	螺钉M4×12	Screw	2	2	2
10	2070201100	274011-91	压脚杆组件	Presser Bar	1	1	1
11	20712043	270013	左前盖	Front Cover(left)	0	0	1
12	207S17005	----	螺钉M4×8	Screw	4	4	4
13	21022003		油窗垫		1	1	1
18	300166	270011-UD	右前盖	Front Cover(right)	1	1	1
19	20701006	270014	铰链	Hinge	1	1	1
20	207S11008	7021	螺钉M4×12	Screw	3	3	3
21	20626001	240043	铰链销	Pin	1	1	1
22	207S14001	4543	螺钉M4×4	Screw	2	2	2
23	20627001	240301	铰链销弹簧	Spring	1	1	1
24	20712002	270018	锁紧板	Latch	1	1	1
25	207S11009	7009	螺钉M3×4	Screw	1	1	1
26	207S14002	4574	螺钉M3×12	Screw	1	1	1
27	207S14003	4535	螺钉M3×4	Screw	1	1	1
28	20712003	270017	锁紧板	Latch	1	1	1
29	S01031	7017	螺钉M4×4.7	Screw	1	1	1
30	20612004	210044	前罩板卡簧1	Flat Spring	1	1	1
31	S01031	7017	螺钉M4×4.7	Screw	1	1	1
32	20712004	270012	左前盖	Front Cover(left)	1	1	0
33	207S11011	7018	螺钉M4×5	Screw	2	2	2
34	20712005	270028	前盖板	Side Cover	1	1	1
35	xxxxxxxx	----	穿线图	Threading diagram	1	1	1
36	xxxxxxxx	----	穿线图	Threading diagram	0	0	1
37	20822006	270079	外罩	Cover	1	1	1
38	207S20002	7066	螺钉	Screw	1	1	1
39	20812013	270081	送料压板	Cover	1	1	1
40	207S11011	7018	螺钉M4×5	Screw	1	1	1
41	21012018		油封垫	Oil Seal Washer	1	1	1



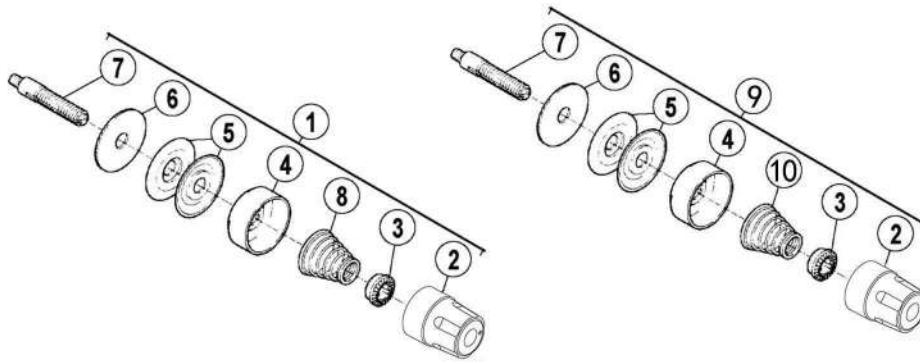
### 三、机壳机罩部件(2)/Cover(2)

序号 NO.	公司件号 Part NO.	参考件号 Ref. Part No.	名称	Description	数量 (Number)		
					三线 three-thread	四线 four-thread	五线 five-thread
1	2071204400	270035	缝台组件(宽)	Cloth Plate	0	0	1
2	----	----	----	----	--	--	--
3	20603016	270042	套筒	Bushing	1	1	1
4	207S14007	4543	螺钉M4×4	Screw	1	1	1
5	W02004	----	止动垫圈6	Washer	1	1	1
6	30228008	204115	垫圈	Washer	1	1	1
7	207S11011	7018	螺钉M4×5	Screw	1	1	1
8	20622003	240305	减震垫	Cushion Rubber	1	1	1
9	21111060	270030-UB	侧盖组件(宽)	Side Cover(Wide)	0	0	1
10	----	----	----	----	--	--	--
11	207S11013	7025	螺钉M4×17.5	Screw	1	1	1
13	S01002	7018	螺钉M4×5	Screw	2	2	2
14	20528017	240343	垫片	Washer	2	2	2
15	20622003	240305	减震垫	Cushion Rubber	1	1	1
16	20612016	270049	下刀座前垫护板	Latch	1	1	1
17	207S11014	7180	螺钉M3.5×4.5	Screw	1	1	1
18	20712008	270015	挡板	Plate	1	1	1
19	207S17003	7170	螺钉M4×7.5	Screw	2	2	2
20	20627002	270043	缝台簧	Lever	1	1	1
21	206S20006	7172	螺钉M4	Screw	1	1	1
22	20627003	270044	扭簧	Spring	1	1	1
23	20612009	270045	前盖板固定块	Bracket	1	1	1
24	20712010	270019	布料挡板	Fabric Guide	1	1	1
25	207S11007	7019	螺钉M4×7.5	Screw	2	2	2
26	20711005	270032	防护罩	Eye Guide	1	1	0
27	20711019	270033	防护罩	Eye Guide	0	0	1
28	207S11015	7062	螺钉M3×6	Screw	2	2	2
29	W01011	----	垫圈3	Washer	2	2	2
30	20112098	270034	托架	Bracket	1	1	1
31	207S20002	7066	螺钉M4	Screw	1	1	1
32	20128015	210307	垫圈	Washer	2	2	2
33	20801032	270022	上盖	Bed Cover Plate Assy.	1	1	1
34	207S12001	7084	螺钉M4×8	Screw	5	5	5
35	20722003	270023	密封垫	Gasket	1	1	1
36	2071201200	270026	后窗板	Cover Plate	1	1	1
37	S01005	7020	螺钉M4×10	Screw	4	4	4
38	207S11016	7023	螺钉M4×16	Screw	1	1	1
39	N01001	4821	螺母M4	Nut	1	1	1
40	20722016	----	支撑垫	Support Cushion	1	1	1
41	207S13003		螺钉M6×25	Screw	3	3	3
42	301265	270068	支架	Bracket	1	1	1
43	20812010	270067	外罩	Cover	1	1	1
44	201S11005	7154	螺钉	Screw	3	3	3

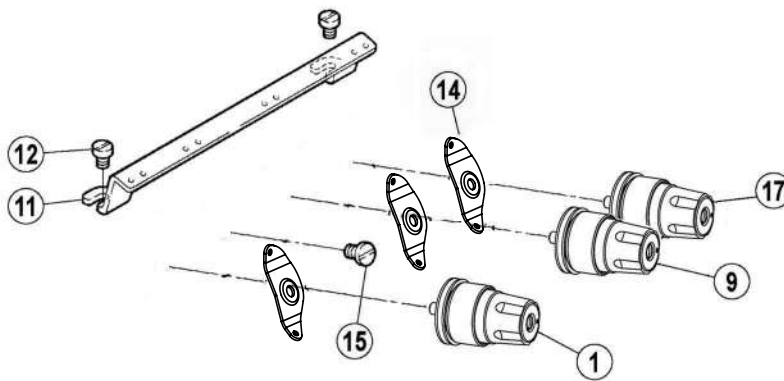


#### 四、主轴部件/Crankshaft Drive Mechanism

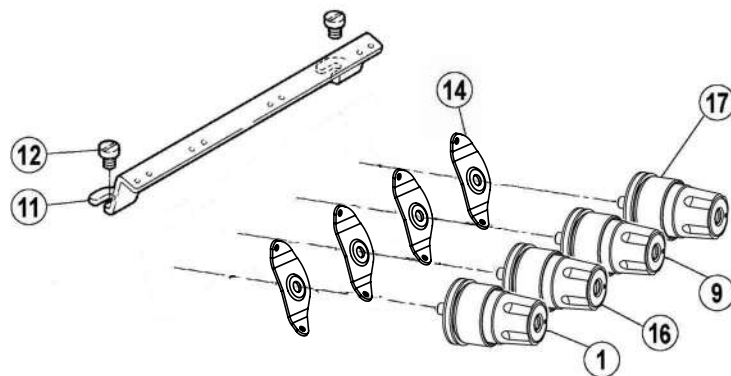
序号 NO.	公司件号 Part NO.	参考件号 Ref. Part No.	名称	Description	数量 (Number)		
					三线 three-thread	四线 four-thread	五线 five-thread
1	400046	270500A	主轴	Crankshaft	1	1	0
2	400045	270500C	主轴 (厚)	Crankshaft	0	0	1
3	20712066	----	连杆垫片	Washer	2	2	2
4	20709035	270502	平衡块	Blance Weight	2	2	2
5	207S11017	7011	螺钉M3×8	Screw	4	4	4
6	121226002	270503	销	Pin	1	1	1
7	207S11047		堵油螺钉	Screw	1	1	0
8	20712013	270508	前轴承盖	Cover	1	1	1
9	207S11007	7019	螺钉M4×7.5	Screw	3	3	3
10	20722027	----	O型圈40×2	O Ring	1	1	1
11	B04004	270507-91	轴承6202LB	Ball Bearing	1	1	1
12	207S11018	4572	螺钉M5×10	Screw	1	1	1
13	207S14012	4514	螺钉M5×5	Screw	1	1	1
14	20729001	240335	卡簧	Ring	1	1	1
15	B04005	211526	轴承6203LLU	Ball Bearing	1	1	1
16	B04005	211526	轴承6203LLU	Ball Bearing	1	1	1
17	W03003	240306	垫圈32	Washer	4	4	4
18	20103002	----	主轴中轴套	Oil Seal	1	1	1
19	001025	210057	O型圈17×1.8	O Ring	1	1	1
20	001028	240307	O型圈41×1.8	O Ring	1	1	1
21	20708015	211528	后轴承盖	Right Cover	1	1	1
22	S04060	7020	螺钉M4×10	Screw	3	3	3
23	2073301200		直驱电机	Direct drive moter	1	1	1
	2073301400	----	直驱电机	Direct drive moter	1	1 (M04)	1 (H)
24	S01011		螺钉	Screw	3	3	3
25	20811040		电机罩	Cover	1	1	1
26	304026		手轮	Hand wheel	1	1	1
27	W02004		垫片	Washer	1	1	1
28	207S13003		螺钉M6×25	Screw	1	1	1
29	20712046	270509	前轴承盖	Cover	0	0	1
30	207S17005		螺钉M4×8	Screw	0	0	2
31	S04060		螺钉M4×10	Screw	0	0	1
32	001037	----	O型圈30×1.2	O Ring	2	2	2
33	20725001	----	棘轮	Ratchet	1	1	1
34	20602002	270510	主轴接轴	Pin	0	0	1



■ 1 针 (1-needle)



■ 2 针 (2-needle)

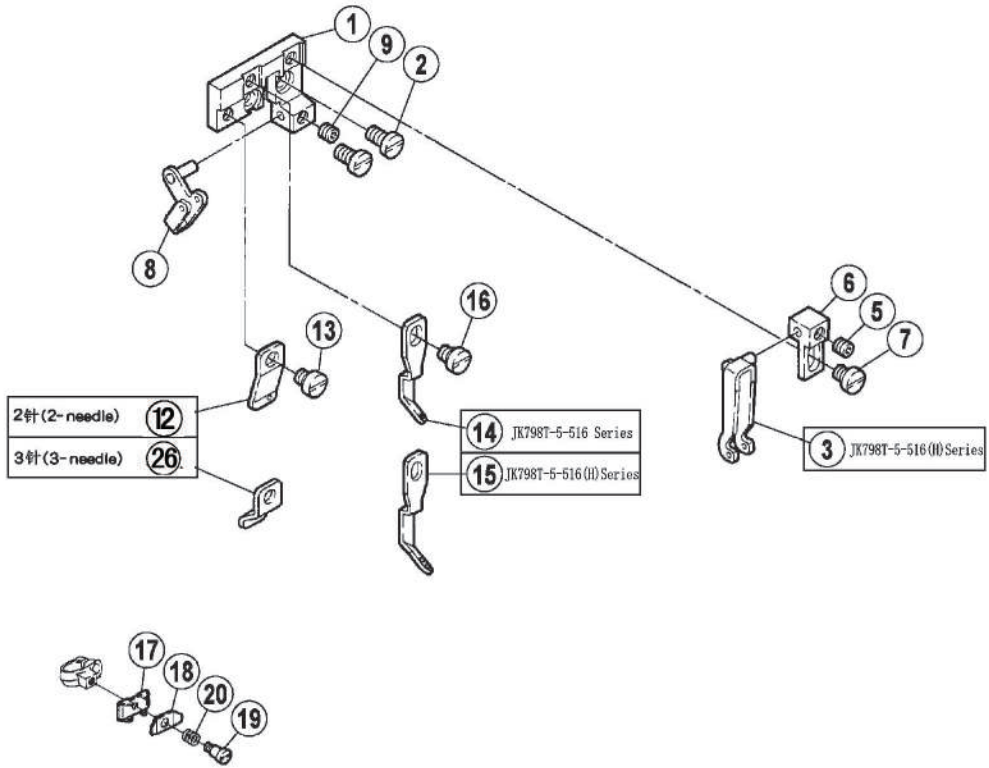


## 五、夹线部件/Thread Tension Mechanism

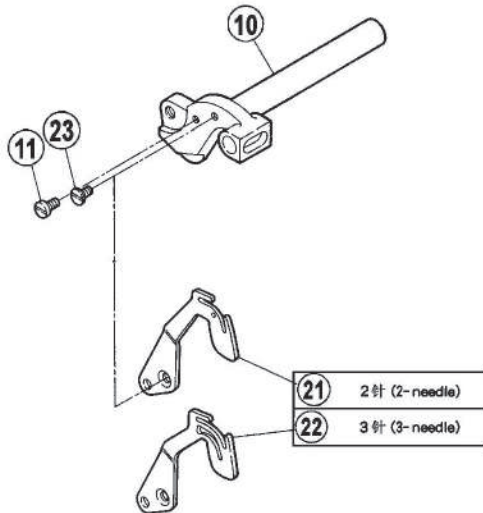
序号 NO.	公司件号 Part NO.	参考件号 Ref.Part No.	名称	Description	数量 (Number)		
					三线 three-thread	四线 four-thread	五线 five-thread
1	2111300500		夹线器组件 (红点)	Tension Spring Assembly (Red)	1	1	1
2	21111091		调压螺母	Knob	1	1	1
3	30111006	208448	调压止动套	Rachet	1	1	1
4	21111096		调压止动盖	Cup	1	1	1
5	21311161	210319	夹线片	Tension Disc	6	8	8
6	20623008	208449	夹线片垫	Felt	1	1	1
7	201S30016	5082A	夹线螺钉	Screw Stud	1	1	1
8	30127011		调压簧	Spring	1	1	1
9	2111300600		夹线器组件 (蓝点)	Tension Spring Assembly (Bule)	1	1	1
10	30127013	201086	调压簧 (弱)	Spring	1	1	1
11	20713001	27500	过线板	Thread Guide	1	1	1
12	207S11007	7019	螺钉M4×7.5	Screw	2	2	2
14	20113002	202849	过线板	Tension Guide	3	4	4
15	206S11005	4009-HC	螺钉SM11/64×40	Screw	1	0	0
16	2111300800		夹线器组件 (黄点)	Tension Spring Assembly (Yellow)	0	1	1
17	2111300700		夹线器组件 (绿点)	Tension Spring Assembly (Green)	1	1	1



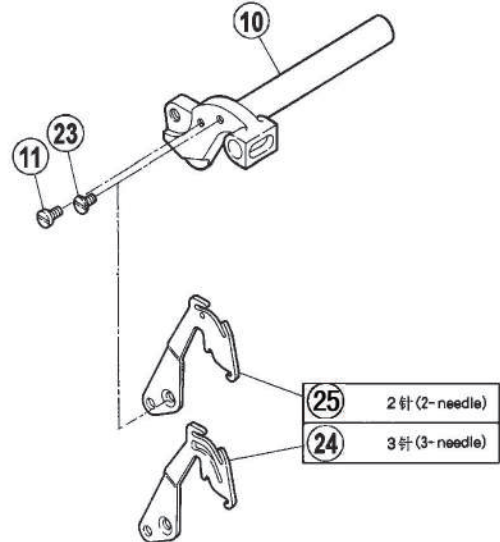
JK798T-5-516 (H) Series



JK798T-5-516 Series



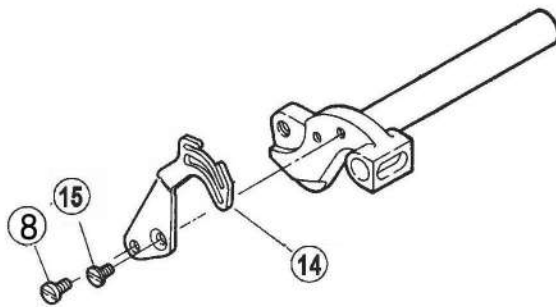
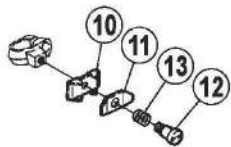
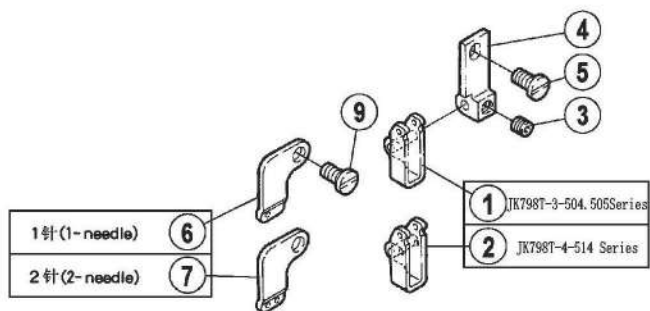
JK798T-5-516 (H) Series



## 六、过线机构(1)/Thread Guide and Thread Takeup(1)

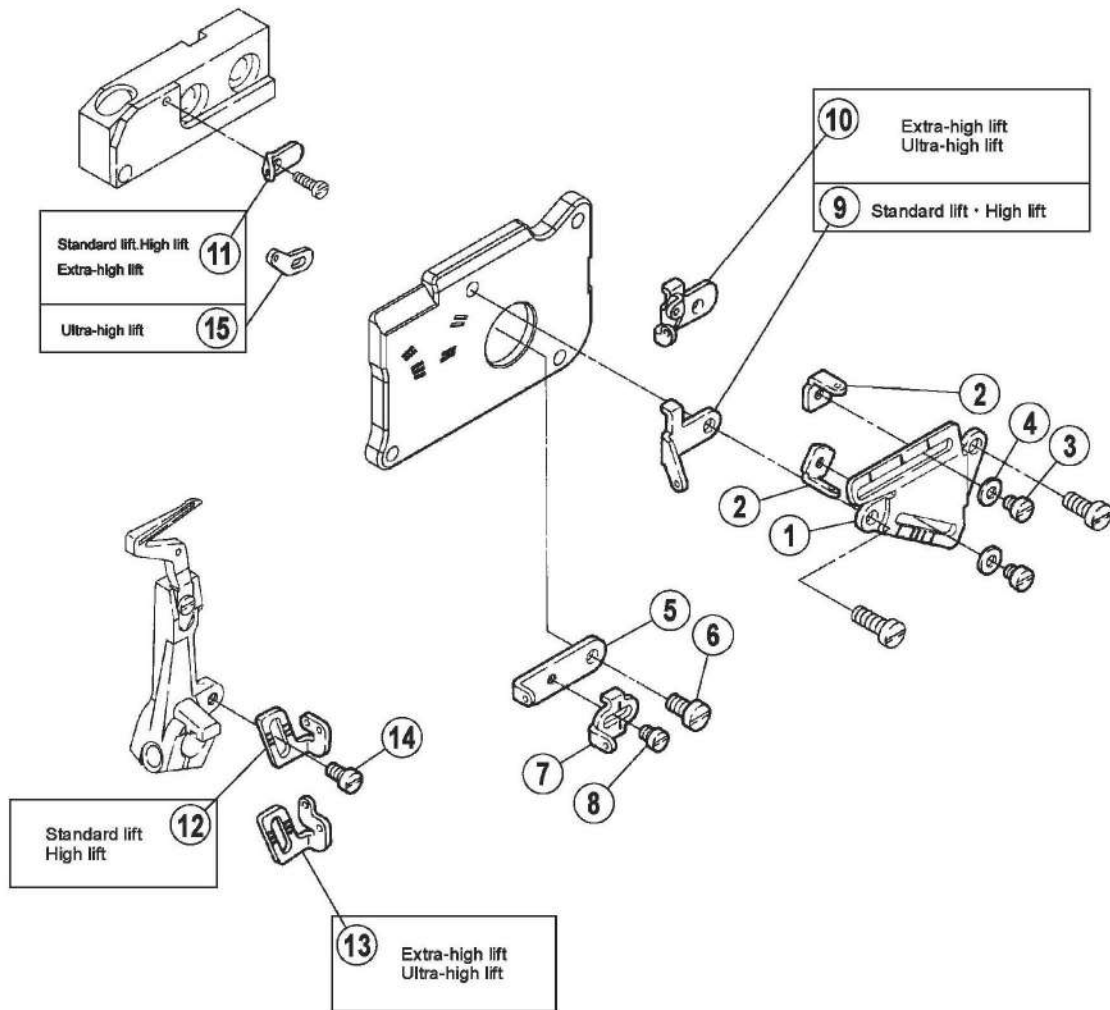
序号 NO.	公司件号 Part NO.	参考件号 Ref. Part No.	名称	Description	数量 (Number)		
					三线 three-thread	四线 four-thread	五线 five-thread
1	20701029	275021	托架	Bracket	0	0	1
2	207S11019	7082	螺钉M4×7.5	Screw	0	0	2
3	20713020	275024	过线	Thread Guide	0	0	1
5	207S14001	4543	螺钉M4×4	Screw	0	0	1
6	20701030	275026	托架	Bracket	0	0	1
7	S01031	7017	螺钉M4×4.7	Screw	0	0	1
8	20713021	275022	过线	Thread Guide	0	0	1
9	207S14001	4543	螺钉M4×4	Screw	0	0	1
10	20802014	273004	上刀架轴	Upper Knife Lever	1	1	1
11	207S11015	7062	螺钉M3×6	Screw	0	0	1
12	20713022	275052A	过线	Thread Guide	0	0	1
13	S01031	7017	螺钉M4×4.7	Screw	0	0	1
14	20713023	275028	过线	Thread Guide	0	0	1
15	20713051	275057	过线	Thread Guide	0	0	1
16	S01031	7017	螺钉M4×4.7	Screw	0	0	1
17	20713006	275011	托架	Bracket	0	0	1
18	20713007	275012	压线板	Thread Retainer	0	0	1
19	207S20003	7163	螺钉	Screw	0	0	1
20	20727002	240326	压簧	Spring	0	0	1
21	20813007	275027A	挑线杆	Thread Takeup	0	0	1
22	----	----	----	----	--	--	--
23	S02007	7041	螺钉M3×5	Screw	1	1	1
24	120813003		挑线杆	Thread Takeup	0	0	1(六线)
25	20813033	275048	挑线杆	Thread Takeup	0	0	1
26	20813036	----	过线	Thread Guide	0	0	1(六线)

## JK798T-4-514(H) Series



## 七、过线机构(2)/Thread Guide and Thread Takeup(2)

序号 NO.	公司件号 Part NO.	参考件号 Ref. Part No.	名称	Description	数量 (Number)		
					三线 three-thread	四线 four-thread	五线 five-thread
1	20713002	275013A	过线	Thread Guide	1	0	0
2	20713003	275013	过线	Thread Guide	0	1	0
3	207S14001	4543	螺钉M4×4	Screw	1	1	0
4	20701010	275015	托架	Bracket	1	1	0
5	207S11019	7082	螺钉M4×7.5	Screw	1	1	0
6	20813002	275051A	过线	Thread Guide	1	0	0
7	20813022	275051A	过线	Thread Guide	0	1	0
8	207S11015	7062	螺钉M3×6	Screw	2	2	0
9	207S11019	7082	螺钉M4×7.5	Screw	1	1	0
10	20713006	275011	托架	Bracket	1	1	0
11	20713007	275012	压线板	Thread Retainer	1	1	0
12	207S20003	7163	螺钉	Screw	1	1	0
13	20727002	240326	压簧	Spring	1	1	0
14	20813004	275017A	挑线杆	Thread Takeup	1	1	0
	120838001		挑线杆	Thread Takeup	0	1(M04)	0
15	S02007	7041	螺钉M3×5	Screw	1	1	0

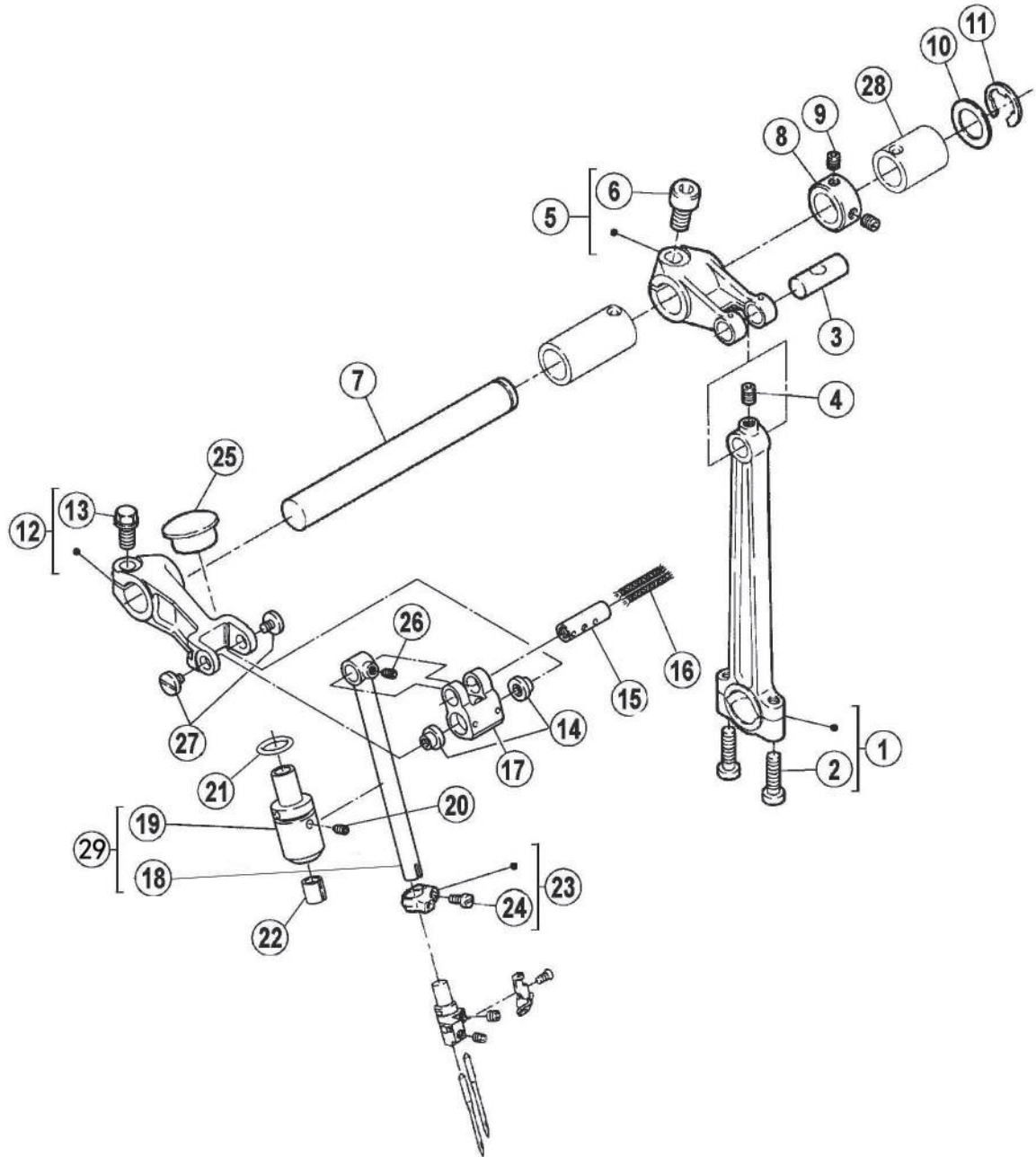


### 八、过线机构(3)/Thread Guide and Thread Takeup (3)

序号 NO.	公司件号 Part NO.	参考件号 Ref. Part No.	名称	Description	数量 (Number)		
					三线 three-thread	四线 four-thread	五线 five-thread
1	20712016	275004	托架	Bracket	1	1	1
2	20113015	275047	过线	Thread Guide	2	2	2
3	201S11006	----	螺钉	Screw	2	2	2
4	W01011	----	垫圈	Washer	2	2	2
5	20713010	275005	挑线架	Thread Takeup	1	1	1
6	207S11007	7019	螺钉M4×7.5	Screw	1	1	1
7	20713011	275006	过线	Thread Guide	1	1	1
8	207S11020	7008	螺钉M3×4	Screw	1	1	1
9	20713012	275007	过线	Thread Guide	1	1	0
10	20713053	275055	过线	Thread Guide	0	0	1
11	20713054	275056	过线	Thread Guide	0	0	1
12	20713015	275009	挑线架	Thread Takeup	1	1	0
13	20713055	275054	挑线架	Thread Takeup	0	0	1
14	207S11021	7012	螺钉M3.5×6	Screw	1	1	1
15	20713013	275010	过线	Thread Guide	1	1	1

JK798T-5-516 (H) Series

JK798T-4-514 Series

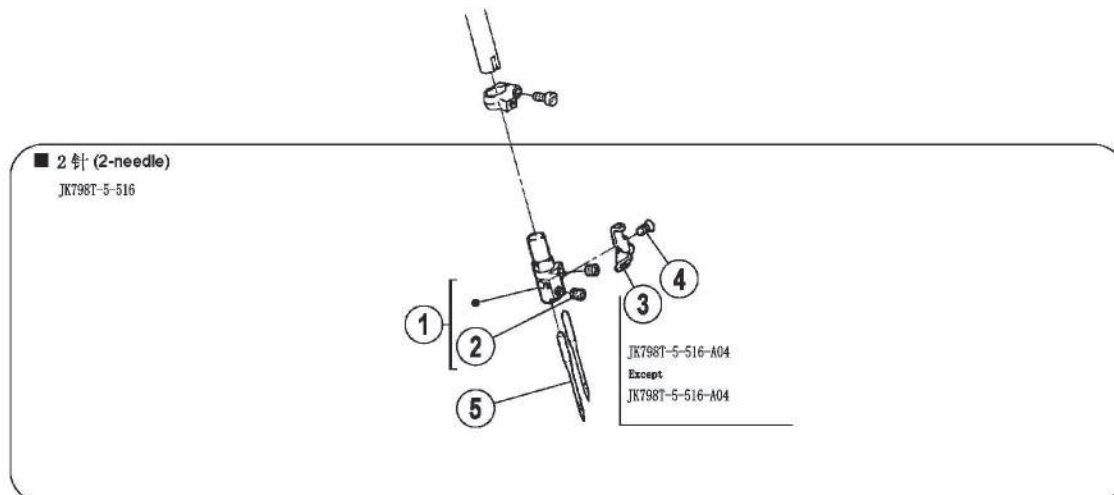


## 九、针杆部件(1)/Needle Drive Mechanism(1)

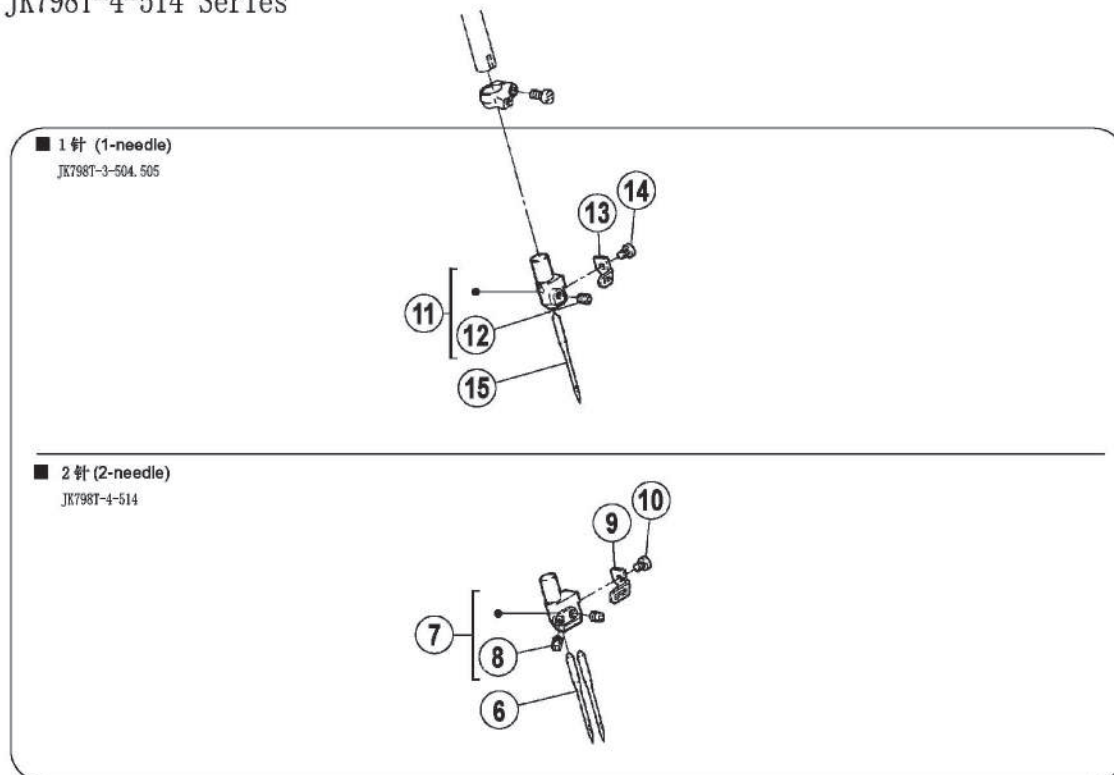
序号 NO.	公司件号 Part NO.	参考件号 Ref. Part No.	名称	Description	数量 (Number)		
					三线 three-thread	四线 four-thread	五线 five-thread
1	400039	271000-92	针杆连杆	Connection	1	1	1
2	207S11016	7023	螺钉M4×16	Screw	2	2	2
3	20626003	271001	曲柄销	Pin	1	1	1
4	207S14007	4538	螺钉M4×6	Screw	1	1	1
5	20704001	271002-92	上轴曲柄	Crank	1	1	1
6	S05018	4533	螺钉M6×0.75×12	Screw	1	1	1
7	20802009	271003	上轴	Shaft	1	1	1
8	20808006	240308	上轴挡圈	Collar	1	1	1
9	207S14001	4543	螺钉M4×4	Screw	2	2	2
10	20628014	208235	上刀架垫片	Washer	1	1	1
11	H05008	202577	挡圈8	Ring	1	1	1
12	20804008	271015-92	针杆曲柄	Lever	1	1	1
13	207S12002	7150	螺钉	Screw	1	1	1
14	2072600300	271022-91	曲柄销组件	Shaft Assembly	1	1	1
15	20826006	271021	曲柄销	Shaft	1	1	1
16	20523005	----	JK788油线	Oil wick	1	1	1
17	20804016	271016	曲柄 (DLC处理)	Crank	1	1	1
18	20802017	271019A	针杆	Needle Bar	1	1	1
19	20803004	271020	针杆套	Bushing	1	1	1
20	207S14008	4546	螺钉M4×5	Screw	1	1	1
21	001026	201022	O型圈11.5×1.5	O Ring	1	1	1
22	20723003	179009-05	毛毡	Oil Felt	1	1	1
23	20708031	271009-92	挡圈	Ring	1	1	1
24	207S11023	7035	螺钉M3×6	Screw	1	1	1
25	20722004	240310	油塞	Plug	1	1	1
26	207S14010	45	螺钉	Screw	1	1	1
27	208S11002	7185	螺钉M3×4	Screw	2	2	2
28	20803007	577601	轴套	Sleeve	1	1	1
29	2080201800	----	针杆组件(DLC处理)	Bushing Assy	1	1	1



## JK798T-5-516 (H) Series



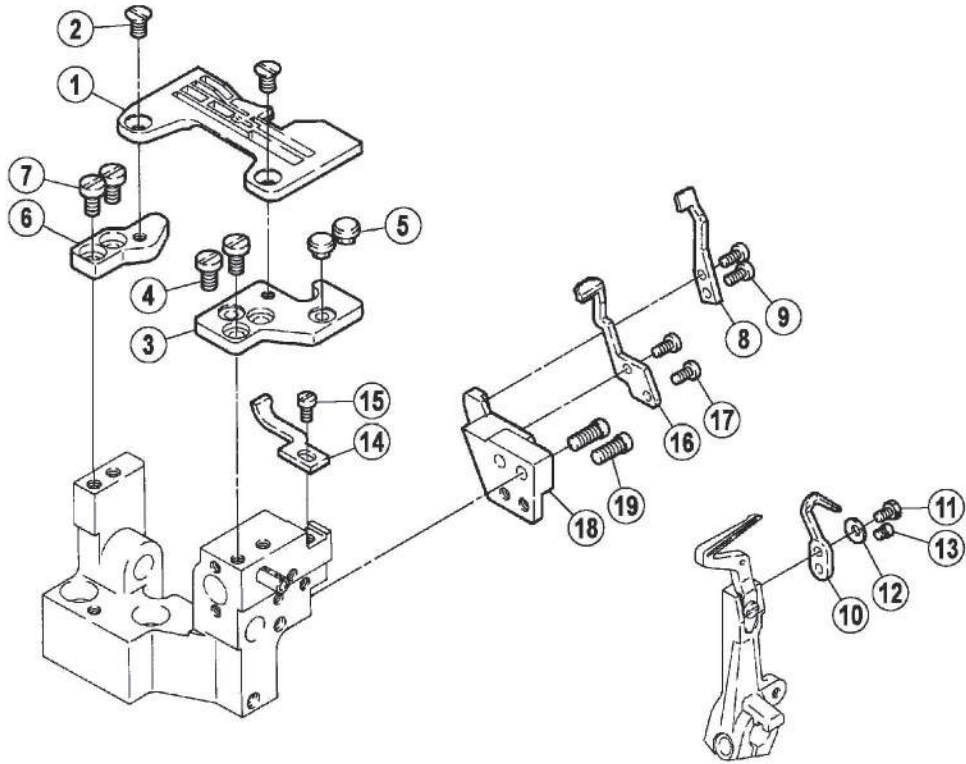
## JK798T-4-514 Series



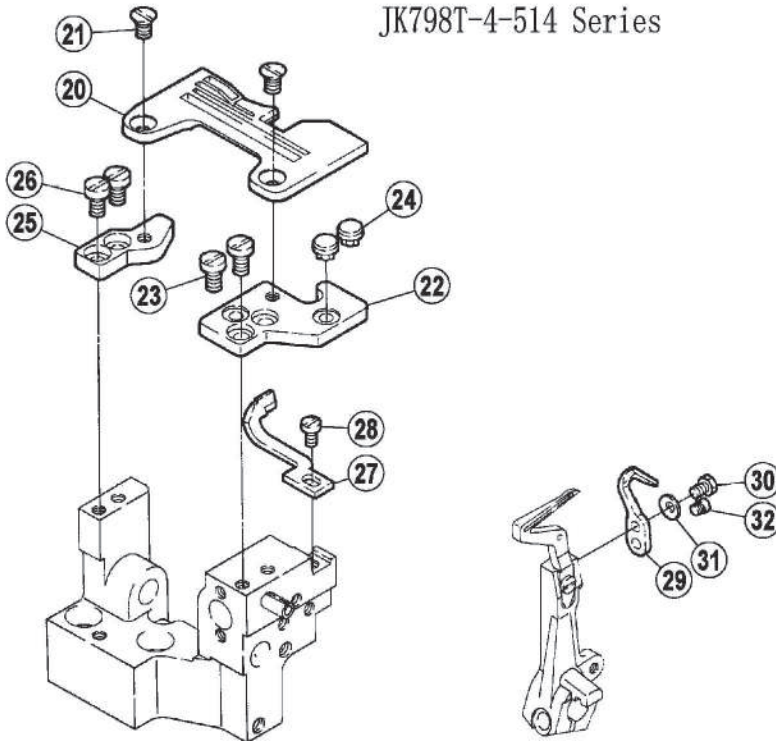
## 十、针杆部件(2)/Needle Drive Mechanism(2)

序号 NO.	公司件号 Part NO.	参考件号 Ref. Part No.	名称	Description	数量 (Number)		
					三线 three-thread	四线 four-thread	五线 five-thread
1	xxxxxxx	xxxxxxx	针夹头	Needle Holder Assembly	0	0	1
2	207S14014	4554	螺钉M3×3	Screw	0	0	2
3	20713017	275030	过线	Thread Guide	0	0	1
4	207S11024	7120	螺钉M2×3	Screw	0	0	1
5	xxxxxxx	xxxxxxx	机针	Needle	0	0	2
6	xxxxxxx	xxxxxxx	机针	Needle	0	2	0
7	xxxxxxx	xxxxxxx	(四线)针夹头	Needle Holder	0	1	0
8	207S14014	4554	螺钉M3×3	Screw	0	2	0
9	20713018	275019C	过线	Thread Guide	0	1	0
10	207S11024	7120	螺钉M2×3	Screw	0	1	0
11	xxxxxxx	xxxxxxx	(三线)针夹头	Needle Holder Assembly	1	0	0
12	207S14014	4554	螺钉M3×3	Screw	1	0	0
13	20713038	275019A	过线(一针)	Thread Guide	1	0	0
14	207S11024	7120	螺钉M2×3	Screw	1	0	0
15	xxxxxxx	xxxxxxx	机针	Needle	1	0	0

JK798T-5-516 (H) Series



JK798T-4-514 Series

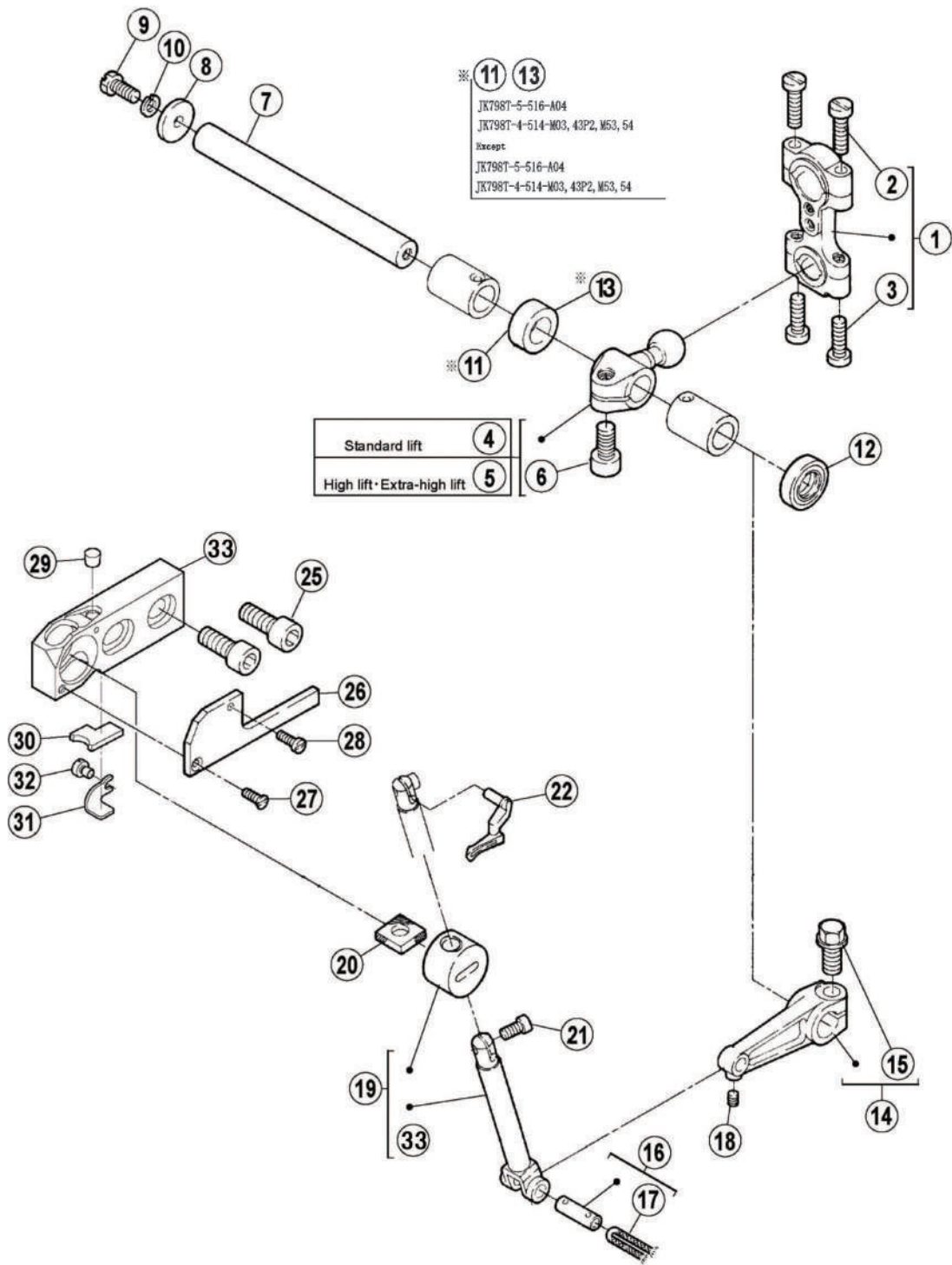


### 十一、针杆部件(3)/Needle Drive Mechanism(3)

序号 NO.	公司件号 Part NO.	参考件号 Ref. Part No.	名称	Description	数量 (Number)		
					三线 three-thread	四线 four-thread	五线 five-thread
1	xxxxxxx	xxxxxxx	针板	Needle Plate	0	0	1
2	207S17006	7170	螺钉M4×7.5	Screw	0	0	2
3	20709002	271010	针板垫块(前)	Bracket	0	0	1
4	207S11007	7019	螺钉M4×7.5	Screw	0	0	2
5	20622003	240305	防震垫	Cushion Rubber	0	0	2
6	20709003	271011	针板垫块(后)	Bracket	0	0	1
7	207S11007	7019	螺钉M4×7.5	Screw	0	0	2
8	xxxxxxx	xxxxxxx	链弯针护针	Needle Guard	0	0	1
9	S01027	7010	螺钉M3×6	Screw	0	0	2
10	xxxxxxx	xxxxxxx	护针(后)	Needle Guard	0	0	1
11	207S12005	7259	螺钉	Screw	0	0	1
12	W03004	240222	垫圈3	Spring	0	0	1
13	207S11002	7165	螺钉M3	Screw	0	0	1
14	xxxxxxx	xxxxxxx	机针护针(前)	Needle Guard	0	0	1
15	207S11007	7019	螺钉M4×7.5	Screw	0	0	1
16	xxxxxxx	xxxxxxx	机针护针(后)	Needle Guard	0	0	1
17	S01027	7010	螺钉M3×6	Screw	0	0	2
18	20701033	271013	托架	Bracket	0	0	1
19	207S11003	7114	螺钉M4×10	Screw	0	0	2
20	xxxxxxx	xxxxxxx	针板	Needle Plate	0	1	0
21	207S17006	7170	螺钉M4×7.5	Screw	2	2	0
22	20709002	271010	针板垫块(前)	Bracket	1	1	0
23	207S11007	7019	螺钉M4×7.5	Screw	2	2	0
24	20622003	240305	减震垫	Cushion Rubber	2	2	0
25	20709003	271011	针板垫块(后)	Bracket	1	1	0
26	207S11007	7019	螺钉M4×7.5	Screw	2	2	0
27	xxxxxxx	xxxxxxx	护针(前)	Needle Guard	1	1	0
28	207S11007	7019	螺钉M4×7.5	Screw	1	1	0
29	xxxxxxx	xxxxxxx	护针(后)	Needle Guard	1	1	0
30	207S12005	7259	螺钉	Screw	1	1	0
31	W03004	240222	垫圈3	Spring	1	1	0
32	207S11002	7165	螺钉M3	Screw	1	1	0

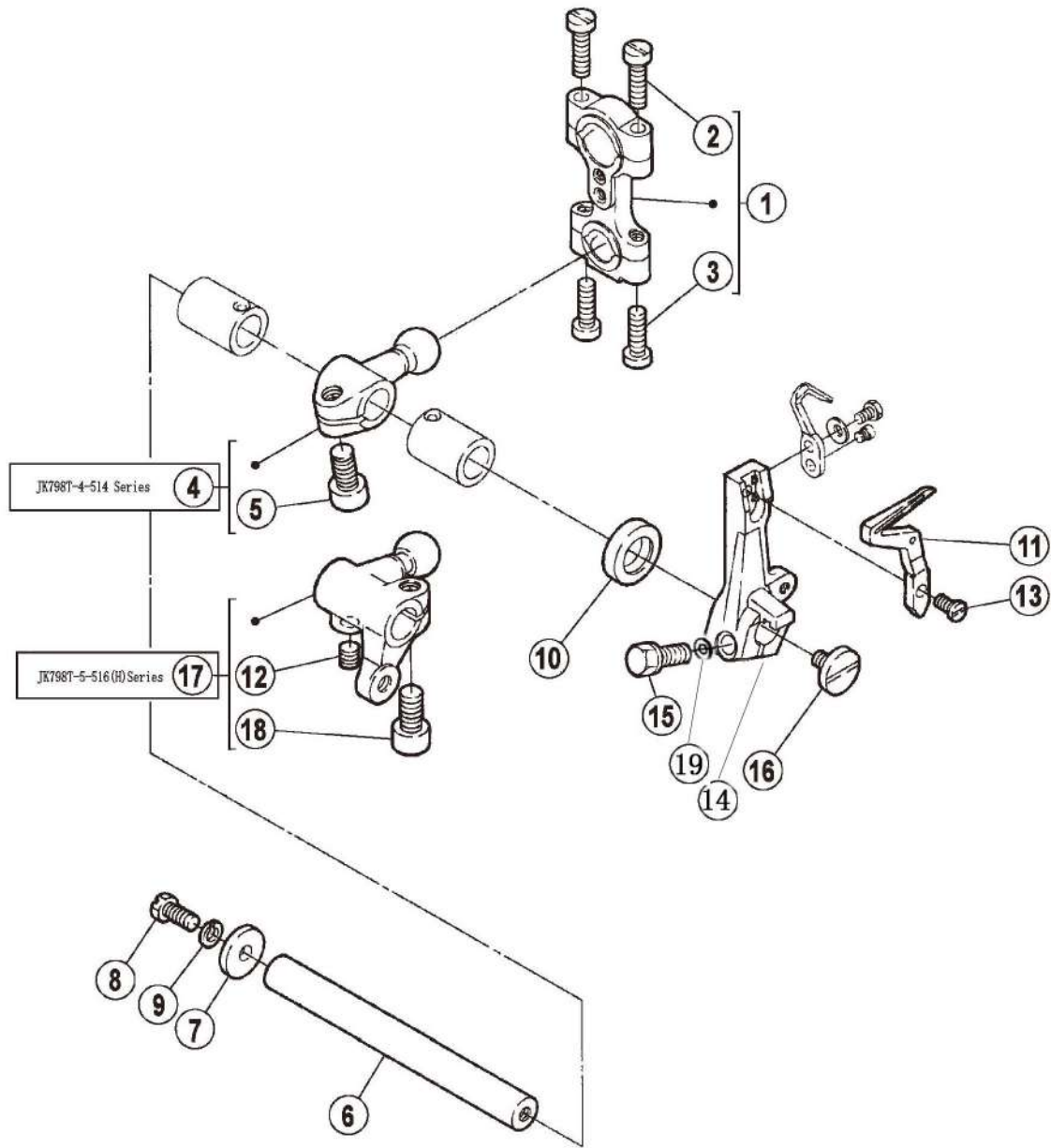
JK798T-5-516(H) Series

JK798T-4-514 Series



## 十二、上弯针部件/Upper Looper Drive Mechanism

序号 NO.	公司件号 Part NO.	参考件号 Ref. Part No.	名称	Description	数量 (Number)		
					三线 three-thread	四线 four-thread	五线 five-thread
1	400043	271500-92	弯针连杆	Connection	1	1	1
2	207S11016	7023	螺钉M4×16	Screw	2	2	2
3	207S11016	7023	螺钉M4×16	Screw	2	2	2
4	20704003	271502-92	上弯针球曲柄	Crank	1	0	0
5	400037	271503-92	上弯针球曲柄	Crank	0	1	1
6	S05018	4533	螺钉M6×0.75×12	Screw	1	1	1
7	20702004	271504	下弯针轴	Shaft	1	1	1
8	20628006	240338	垫圈	Washer	1	1	1
9	207S11004	7174	螺钉M4×10	Screw	1	1	1
10	W02001	303067	上弯针垫圈	Spring Washer	1	1	1
11	20708006	210122	衬套	Spacer	0	1	0
12	20622019	210586A	油封	Oil Seal	1	1	1
13	20708007	210122A	衬套A	Spacer	1	0	1
14	20705003	271505-92	连杆	Lever	1	1	1
15	207S12002	7150	螺钉	Screw	1	1	1
16	20726004	179137-05	曲柄销	Pin Assy.	1	1	1
17	20523005	----	JK788油线	Oil Weak	1	1	1
18	207S14010	4545	螺钉M3×4	Screw	1	1	1
19	2070403300		上弯针滑杆组件	Upper Looper Holder Assy.	1	1	1
	2070404100		上弯针滑杆组件	Upper Looper Holder Assy.	0	1(厚料)	1(厚料)
20	20623005	179130-05	上弯针滑杆套油毡	Felt	1	1	1
21	207S11025	7054	螺钉M3.5×6.7	Screw	1	1	1
22	xxxxxxx	xxxxxxx	上弯针	Upper Looper	1	1	1
25	207S11026	4510	螺钉M6×16	Screw	2	2	2
26	400040	271511	盖板	Cover	1	1	1
27	207S17004	7039	螺钉M2.5×6	Screw	1	1	1
28	207S11027	7033	螺钉M2.5×8	Screw	1	1	1
29	121223001	----	过滤塞	Filter unit	1	1	1
30	20723005	2745890	吸油棉	Felt	1	1	1
31	20712017	2745880	压板	Bracket	1	1	1
32	207S11020	7008	螺钉M3×4	Screw	1	1	1
33	20701051	271510B	上弯针滑块座	Upper Looper Bracket	1	1	1

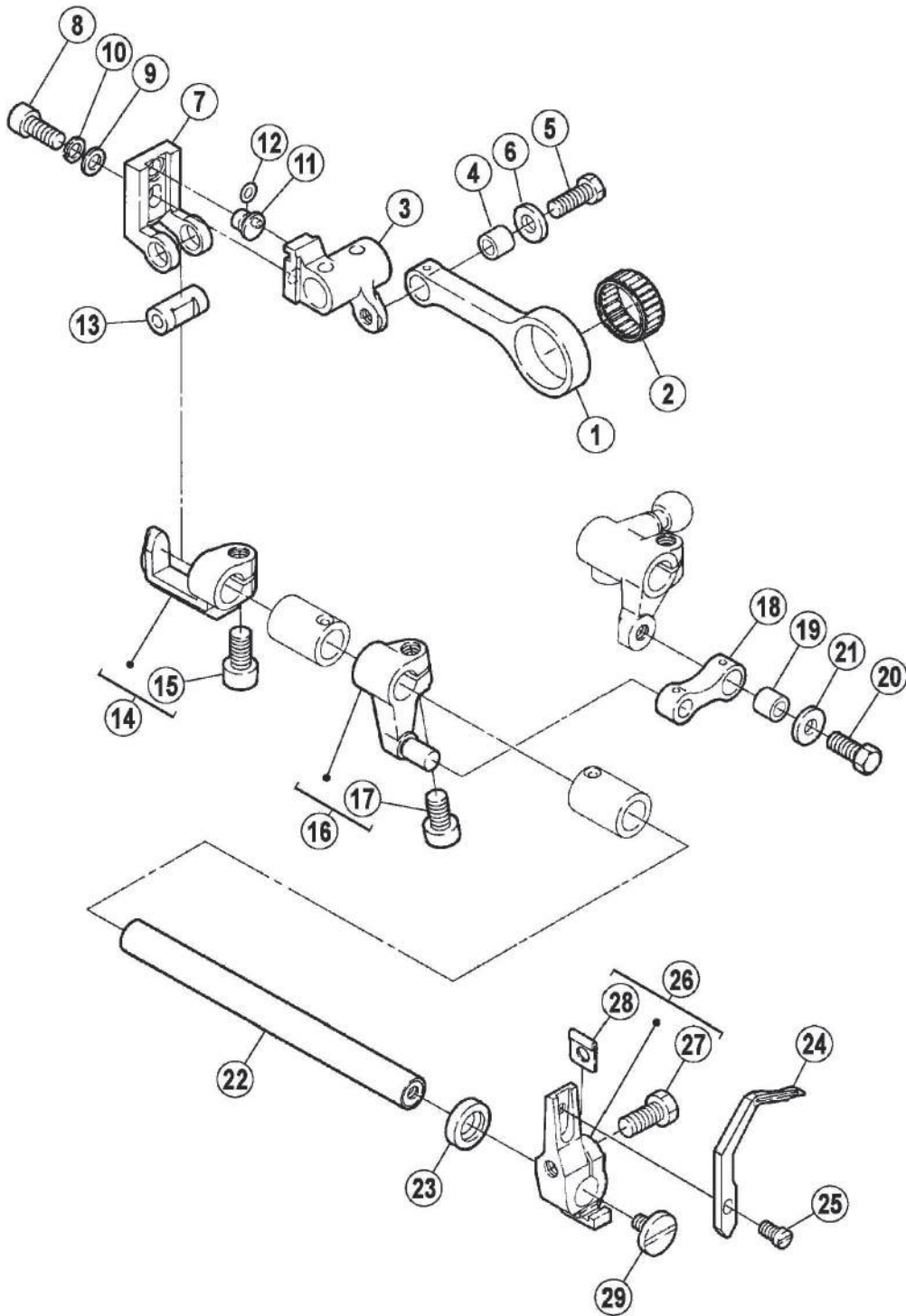


### 十三、下弯针部件/Lower Loper Drive Mechanism

序号 NO.	公司件号 Part NO.	参考件号 Ref. Part No.	名称	Description	数量 (Number)		
					三线 three-thread	四线 four-thread	五线 five-thread
1	400043	271500-92	弯针连杆	Connection	1	1	1
2	207S11016	7023	螺钉M4×16	Screw	2	2	2
3	207S11005	7022	螺钉M4×17.5	Screw	2	2	2
4	400329	27200-92	下弯针球曲柄	Crank	1	1	0
5	S05018	4533	螺钉M6×0.75×12	Screw	1	1	0
6	20702004	271504	下弯针轴	Shaft	1	1	1
7	20628006	240338	垫圈	Washer	1	1	1
8	207S11004	7174	螺钉M4×10	Screw	1	1	1
9	W02001	303067	上弯针垫圈	Spring Washer	1	1	1
10	20622019	210586A	油封	Oil Seal	1	1	1
11	xxxxxxxx	xxxxxxxx	下弯针	Lower Loper	1	1	1
12	207S14006	4514	螺钉M5×5	Screw	0	0	1
13	207S11028	7168	螺钉M3.5×6.5	Screw	1	1	1
14	20704007	272001-92	下弯针架	Lower Loper Holder	1	1	1
15	201S12007	7055	螺钉M5×13	Screw	1	1	1
16	207S15001	7169	螺钉M4×7	Screw	1	1	1
17	400388	273511-92	下弯针球曲柄	Crank	0	0	1
18	S05018	4533	螺钉M6×0.75×12	Screw	0	0	1
19	20128021		W12垫圈	Washer	1	1	1



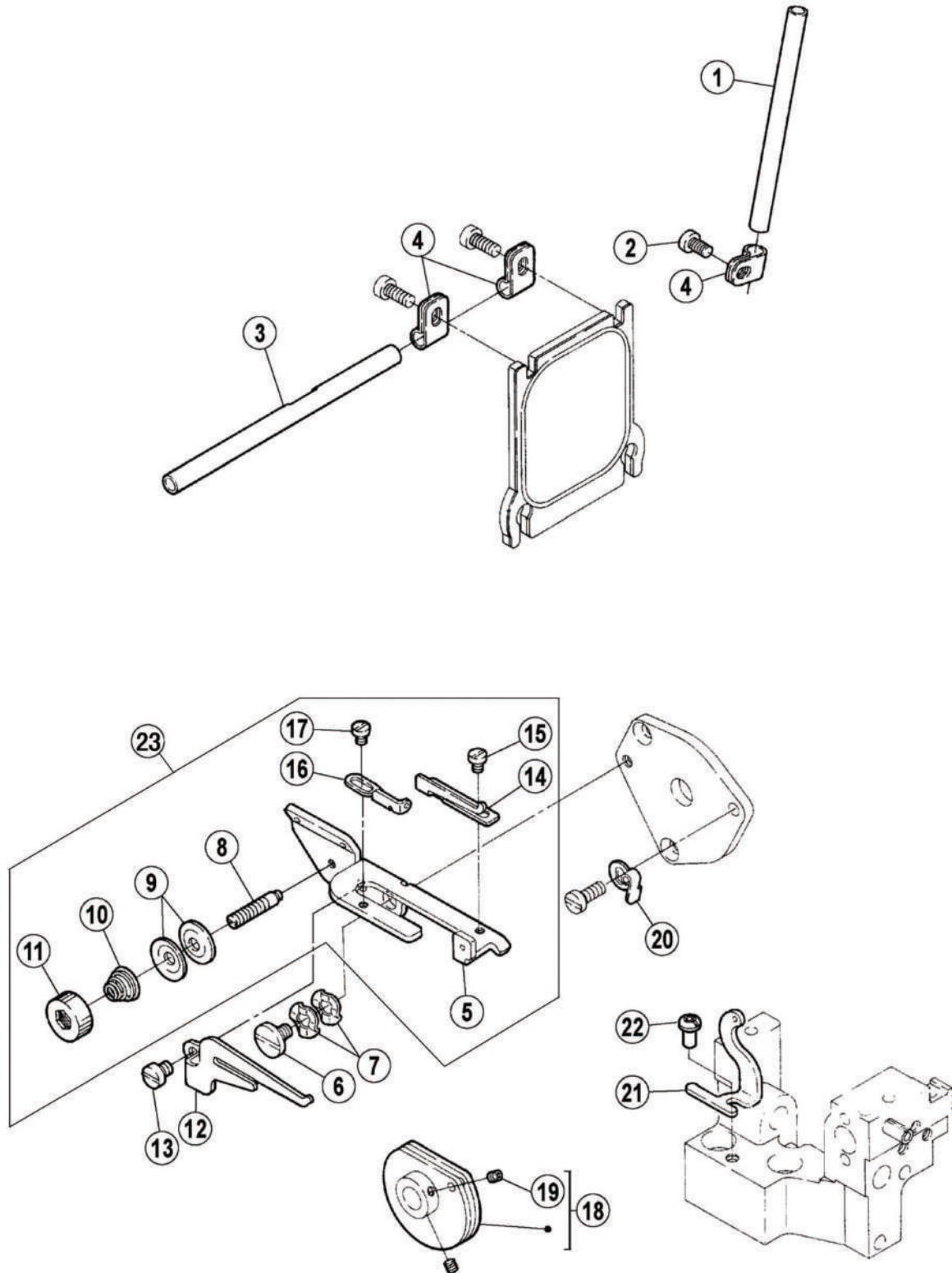
JK798T-5-516 (H) Series



#### 十四、二重环弯针机构(1)/Chainstitch Looper Drive Mechanism(1)

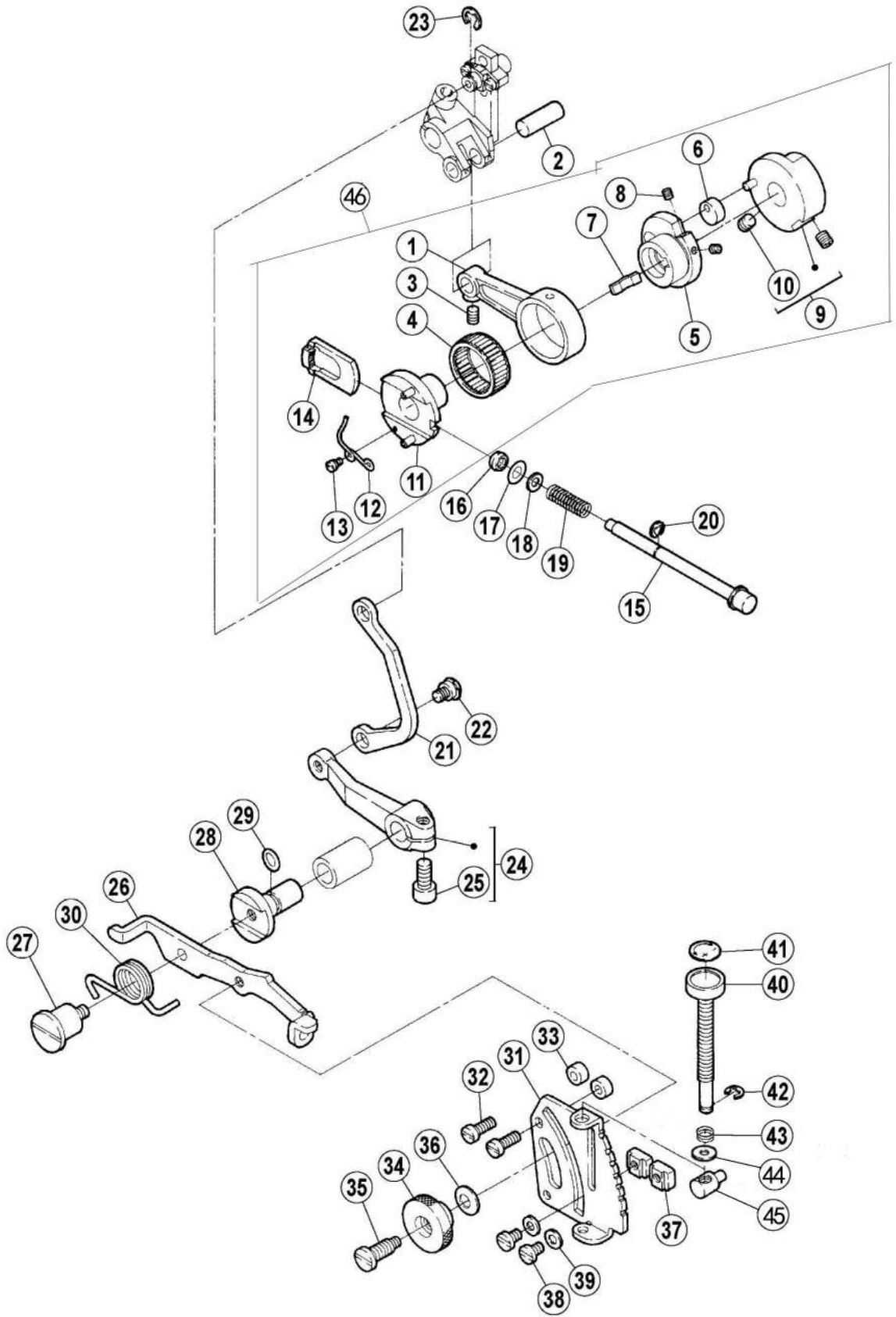
序号 NO.	公司件号 Part NO.	参考件号 Ref. Part No.	名称	Description	数量 (Number)		
					三线 three-thread	四线 four-thread	五线 five-thread
1	20705006	273500	连杆	Connection	0	0	1
2	B08002		滚针	Needle Bearing	0	0	1
3	20704014	273501	曲柄	Crank	0	0	1
4	20703016	179160-05	连杆套	Bushing	0	0	1
5	207S12003	7056	螺钉M5×13	Screw	0	0	1
6	30228008	204115	垫圈	Washer	0	0	1
7	401031	273502	滑块座	Slider	0	0	1
8	207S13009	4531	螺钉M5×12	Screw	0	0	1
9	20128021	240062	送布曲柄销垫圈	Washer	0	0	1
10	W02001	303067	上弯针垫圈	Spring Washer	0	0	1
11	20710008	252515	偏心销	Pin	0	0	1
12	001027	208949	O型圈4×1.3	O Ring	0	0	1
13	20626017	273504	五线销	Shaft	0	0	1
14	20701034	273505-92	支架	Holder	0	0	1
15	S05018	4533	螺钉M6×0.75×12	Screw	0	0	1
16	20704015	273509-92	链线曲柄	Crank	0	0	1
17	S05018	4533	螺钉M6×0.75×12	Screw	0	0	1
18	20705009	272517	连杆	Link	0	0	1
19	20703013	179160-05	连杆套	Bushing	0	0	1
20	207S12003	7056	螺钉M5×13	Screw	0	0	1
21	30228008	204115	垫圈	Washer	0	0	1
22	20702018	273506	链线轴	Shaft	0	0	1
23	2072201700	204052A	油封	Oil Seal	0	0	1
24	xxxxxxx	xxxxxxx	弯针	Double Chainstith Looper	0	0	1
25	207S11028	7168	螺钉M3.5×6.5	Screw	0	0	1
26	20701035	273510-92	弯针架	Looper Holder	0	0	1
27	207S20004	7055	螺钉M5×13	Screw	0	0	1
28	20728002	240337	垫片	Spacer	0	0	1
29	207S15001	7169	螺钉M4×7	Screw	0	0	1

JK798T-5-516(H) Series



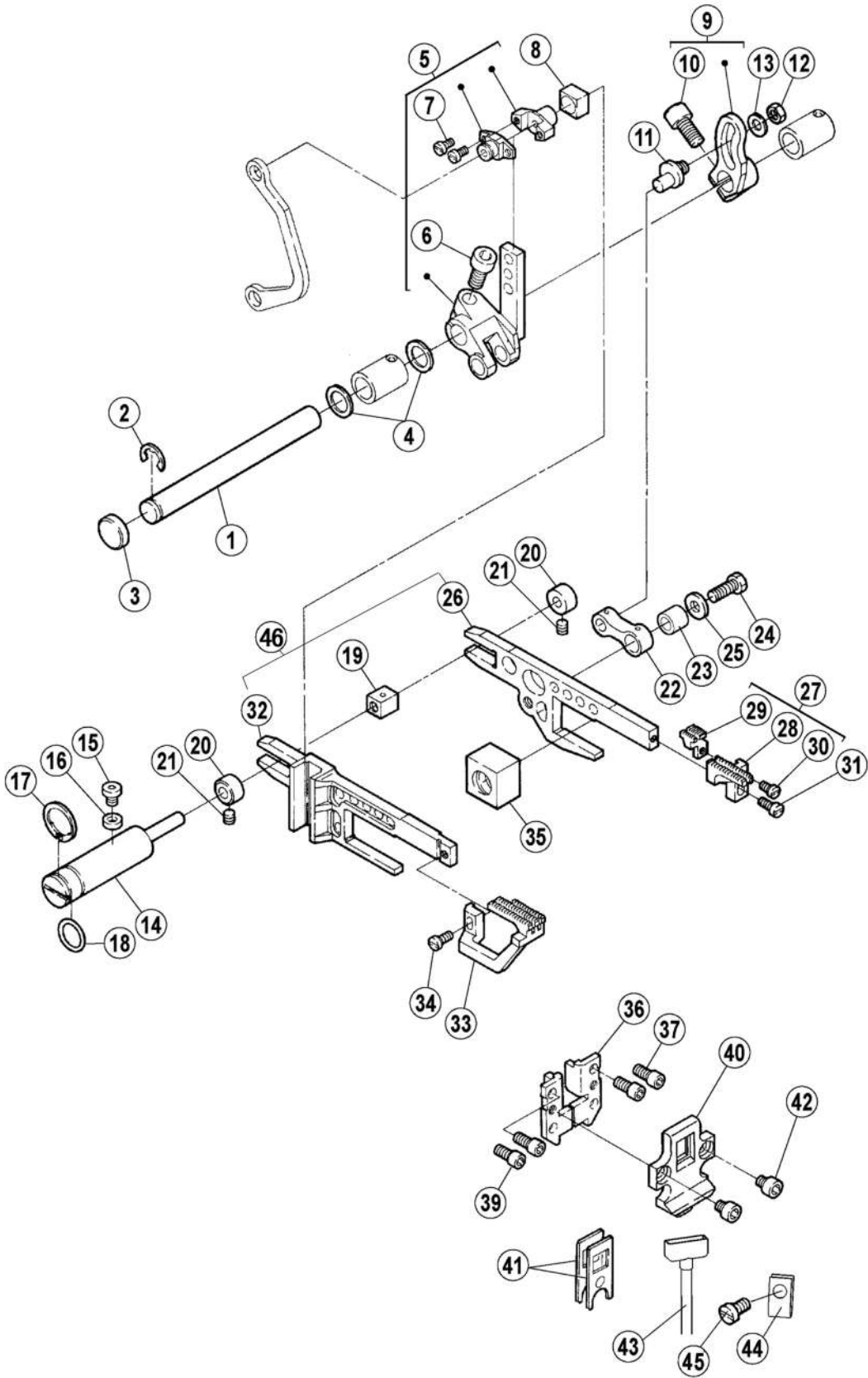
## 十五、二重环弯针机构(2)/Chainstitch Looper Drive Mechanism(2)

序号 NO.	公司件号 Part NO.	参考件号 Ref. Part No.	名称	Description	数量 (Number)		
					三线 three-thread	四线 four-thread	五线 five-thread
1	20713039	1921200	过线管	Thread Guide	0	0	1
2	207S11007	7019	螺钉M4×7.5	Screw	0	0	1
3	20713040	275032	过线管	Thread Guide	0	0	1
4	20629003	206115	过线管夹	Holder	0	0	3
5	20612057	275033	打线凸轮架	Looper Thread Takeup	0	0	1
6	207S20002	7066	螺钉M4	Screw	0	0	1
7	20128015	210307	垫圈	Washer	0	0	1
8	206S30015	7167	螺钉M3	Screw	0	0	1
9	20612055	137108	夹线片	Tension Disc	0	0	2
10	30127016	211388	弹簧	Spring	0	0	1
11	206S16004	275034	紧线手柄	Knob	0	0	1
12	20612056	275035	分线板	Thread Guide	0	0	1
13	S01031	7017	螺钉M4×7.5	Screw	0	0	1
14	20629004	275036	过线	Thread Guide	0	0	1
15	207S11020	7008	螺钉M3×4	Screw	0	0	1
16	20613017	275039	过线	Thread Guide	0	0	1
17	207S11020	7008	螺钉M3×4	Screw	0	0	1
18	20612058	179498-92	打线凸轮	Looper Thread Takeup	0	0	1
19	207S14009	4554	螺钉M3×3	Screw	0	0	2
20	20629005	275037	卡簧	Spring	0	0	1
21	20713026	275038	过线	Tread Guide	0	0	1
22	207S11007	7019	螺钉M4×7.5	Screw	0	0	1
23	2061205700	275033	打线凸轮组件	Looper Thread Takeup Assy	0	0	1



## 十六、差动调节机构/Feed Mechanism

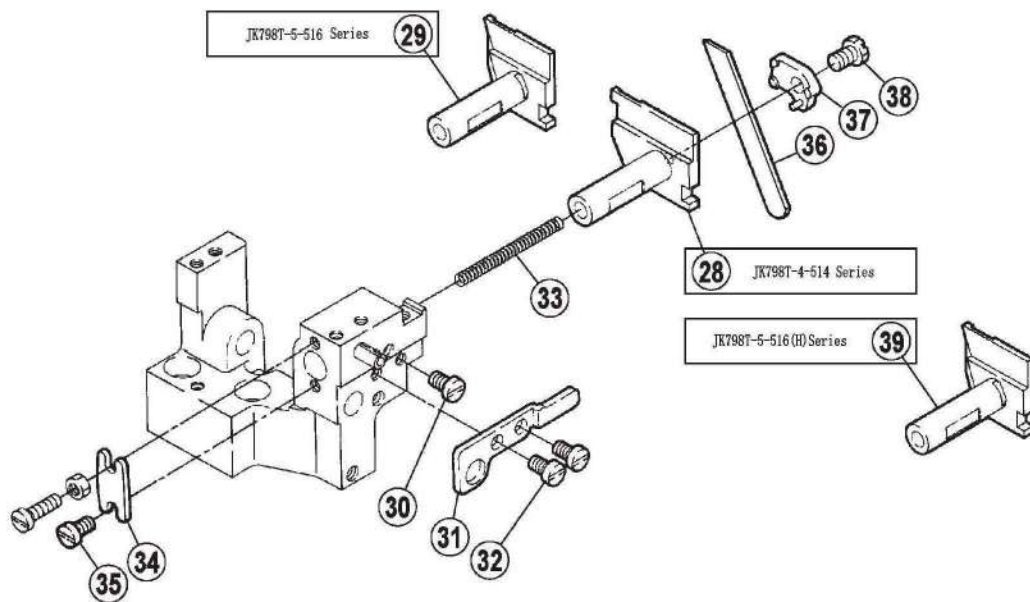
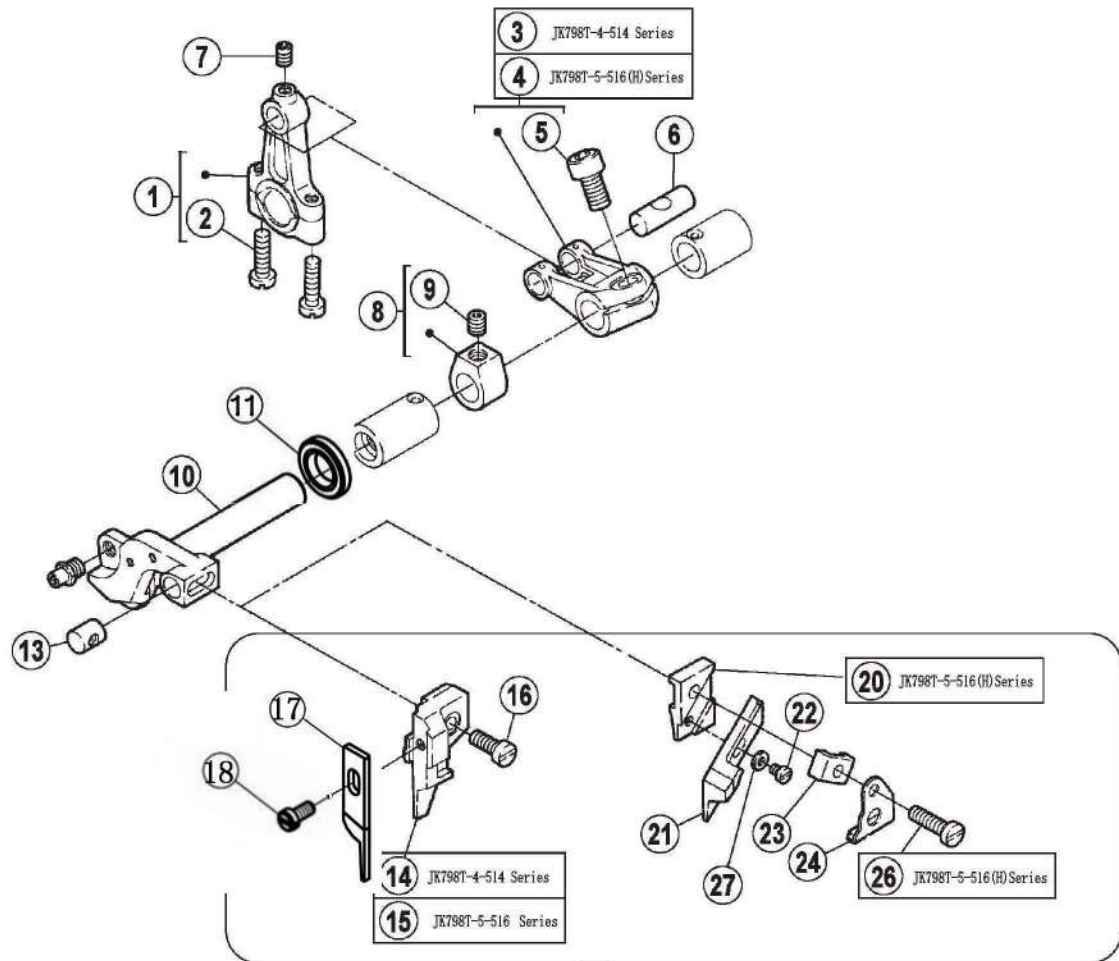
序号 NO.	公司件号 Part NO.	参考件号 Ref. Part No.	名称	Description	数量 (Number)		
					三线	四线	五线
					three-thread	four-thread	five-thread
1	20705004	272500	送料连杆	Connection	1	1	1
2	20626003	271001	曲柄销	Pin	1	1	1
3	207S14007	4538	螺钉M4×6	Screw	1	1	1
4	B08001	240012	滚针轴承26×22×10	Needle Bearing	1	1	1
5	20710001	272501	偏心轮	Eccent	1	1	1
6	20710002	210129	小偏心轮	Feed Eccent	1	1	1
7	20712018	210130	弹簧板	Flat Spring	1	1	1
8	207S14003	4535	螺钉M3×4	Screw	2	2	2
9	20710003	272506-91	送布偏心	Regulator	1	1	1
10	207S14012	4514	螺钉M5×5	Screw	2	2	2
11	20710004	272504-91	开针偏心凸轮	Eccent Assembly	1	1	1
12	20727003	272503	弹簧	Spring	1	1	1
13	207S20005	7038	螺钉M2	Screw	1	1	1
14	20709006	272502	滑块	Ratchet	1	1	1
15	20702005	272509	开针掀扭轴	Push Button	1	1	1
16	20722005	240315	油封	Gaket	1	1	1
17	001027	208949	O型圈4×1.3	O Ring	1	1	1
18	20728001	240314	垫片	Washer	1	1	1
19	20727004	240317	弹簧	Spring	1	1	1
20	H05002	200555	挡圈3	Ring	1	1	1
21	20705005	272529	差动连片	Link	1	1	1
22	207S20006	7058	螺钉M5×5	Screw	1	1	1
23	20629006	202522	卡簧	Ring	1	1	1
24	20704008	272530A92	差动曲柄	Lever	1	1	1
25	S05018	4533	螺钉M6×0.75×12	Screw	1	1	1
26	20712019	272532	差动杆	Lever	1	1	1
27	207S20007	7161	螺钉	Screw	1	1	1
28	20702006	272533A	差动轴	Shaft	1	1	1
29	20622010	204185	差动轴O型圈	O Ring	1	1	1
30	20627006	272534	差动扳手定位簧	Spring	1	1	1
31	20712020	272535	调节板	Regulator Plate	1	1	1
32	207S11008	7021	螺钉M4×12	Screw	2	2	2
33	20711007	240321	垫圈	Spacer	2	2	2
34	2071600100	179202-25	调节螺母	Nut	1	1	1
35	207S30001	179202-25-02	螺钉	Screw	1	1	1
36	20728003	7059	蝶形垫片	Spring Washer	1	1	1
37	207S16002	211301	螺母	Stopper	2	2	2
38	207S11011	252658	螺钉M4×5	Screw	2	2	2
39	30228009	7018	垫片	Washer	2	2	2
40	20702007	303448	调节杆	Adjusting Bar	1	1	1
41	20737001	272538A	标签	Seal	1	1	1
42	H05018	240322	卡簧3.5	Ring	1	1	1
43	20727005	210533	弹簧	Spring	1	1	1
44	20728005	----	垫片	Washer	1	1	1
45	20709007	272539A	螺母	Pin	1	1	1
46	2070500400	----	送料连杆组件	Connection	1	1	1



## 十七、送布机构/Feed Mechanism

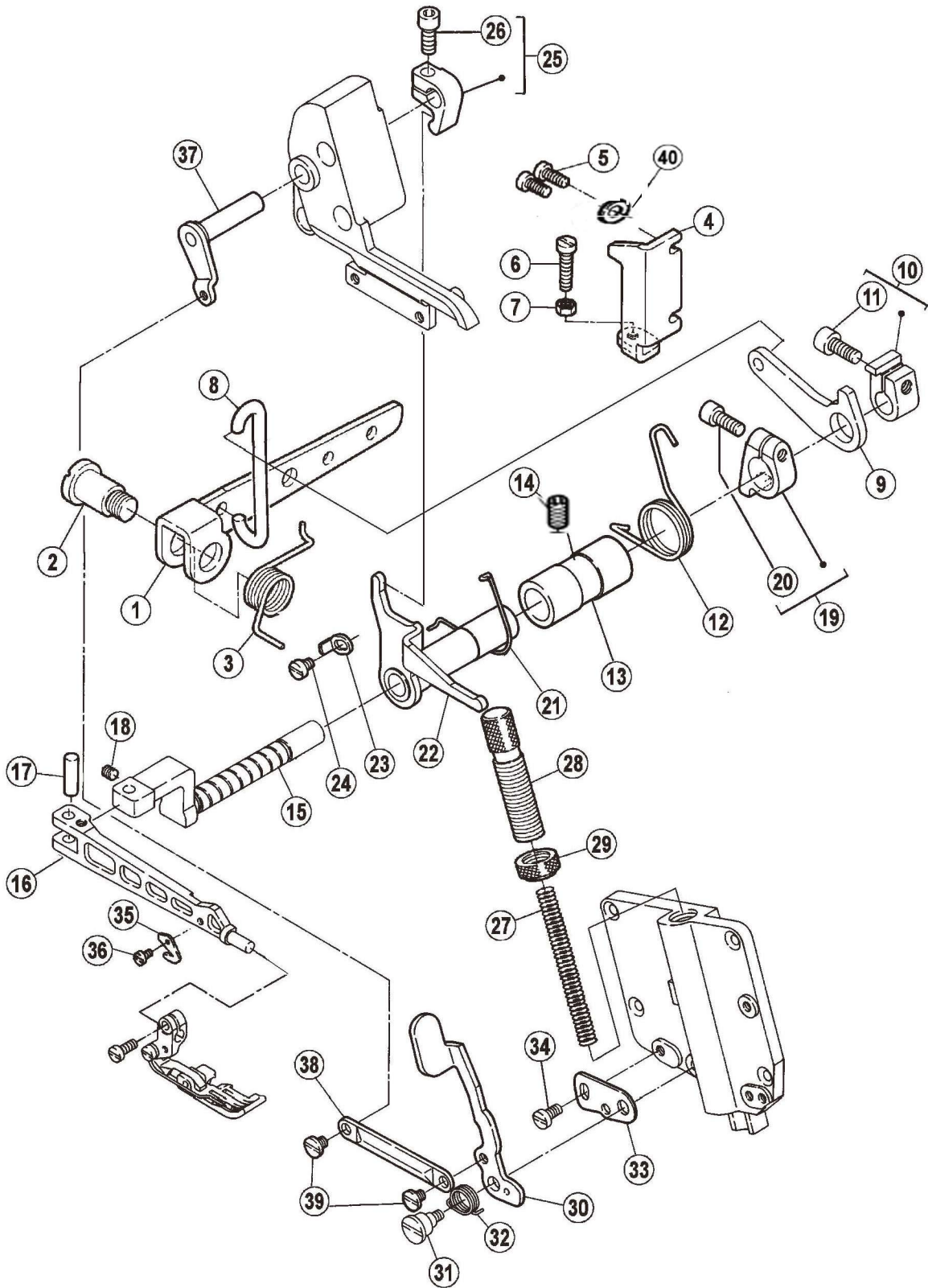
序号 NO.	公司件号 Part NO.	参考件号 Ref. Part No.	名称	Description	数量 (Number)		
					三线 three-thread	四线 four-thread	五线 five-thread
1	20702064		送布轴(粉末)	Shaft	1	1	1
2	H05009	205061	开口挡圈7	Ring	1	1	1
3	20628023	208173	送布轴油封	Plug	1	1	1
4	20628011	240311	送料轴垫圈	Washer	2	2	2
5	2070400900	272510-91	送料曲柄组件	Crank	1	1	1
6	S05018		螺钉M6×0.75×12	Screw	1	1	1
7	207S11029	7010	螺钉M3×6	Screw	2	2	2
8	20709034		滑块	Block	1	1	1
9	20704011	272514-92	送料曲柄	Crank	1	1	1
10	S05018	4533	螺钉M6×0.75×12	Screw	1	1	1
11	20710005	272515	偏心销	Pin	1	1	1
12	N01004	4805	螺母M5	Nut	1	1	1
13	12928008		平垫圈S4.76	Washer	1	1	1
14	20710006	272525	偏心轴	Pin	1	1	1
15	207S13001	7238	螺钉	Screw	1	1	1
16	20722006	240318	O型圈	Gsket	1	1	1
17	20729002	240319	卡簧	Ring	1	1	1
18	001026	201022	O型圈11.5×1.5	O Ring	1	1	1
19	20709011	272526	滑柱	Block	1	1	1
20	20708008	240303	挡圈	Collar	2	2	2
21	207S14001	4543	螺钉M4×4	Screw	2	2	2
22	20705008	272517	连杆	Link	1	1	1
23	20703016	179160-05	连杆套	Bushing	1	1	1
24	207S12003	7056	螺钉M5×13	Screw	1	1	1
25	30228008	204115	垫圈	Washer	1	1	1
26	20706001	----	主送齿牙架	Main Feed Bar	1	1	1
27	xxxxxxxx	xxxxxxxx	(三、四线)牙齿组件	Main Feed Dog Complete	1	1	1
28	xxxxxxxx	xxxxxxxx	主送齿	Main Feed Dog	1	1	1
29	xxxxxxxx	xxxxxxxx	辅助齿	Auxiliary	1	1	1
30	207S11029	7010	螺钉M3×6	Screw	1	1	1
31	S01029	7013	螺钉M3.5×7.5	Screw	1	1	1
32	20706002	272528	差动齿牙架	Differential Feed Bar	1	1	1
33	xxxxxxxx	xxxxxxxx	差动齿	Differential Feed Dog	1	1	1
34	S01029	7013	螺钉M3.5×7.5	Screw	1	1	1
35	20709012	272524	滑块	Block	1	1	1
36	20701048		牙架挡块(一体)	Feed Bar	1	1	1
37	207S13006	7110	螺钉M4×9	Screw	2	2	2
39	207S13006	7110	螺钉M4×9	Screw	2	2	2
40	20701013	272522	挡油板	Feed Bar Oil Seal	1	1	1
41	20722007	272521	牙架油封	Oil Seal	2	2	2
42	207S13007	4573	螺钉M4×5	Screw	2	2	2
43	20721009	----	牙架吸油管	Tube	1	1	1
44	20712055	----	油管夹	Clamp	1	1	0
44	20712062	----	油管夹	Clamp	0	0	1
45	207S11011	7018	螺钉M4×5	Screw	1	1	1
46	2070600100	----	牙架组件	Feed Bar Assy.	1	1	1





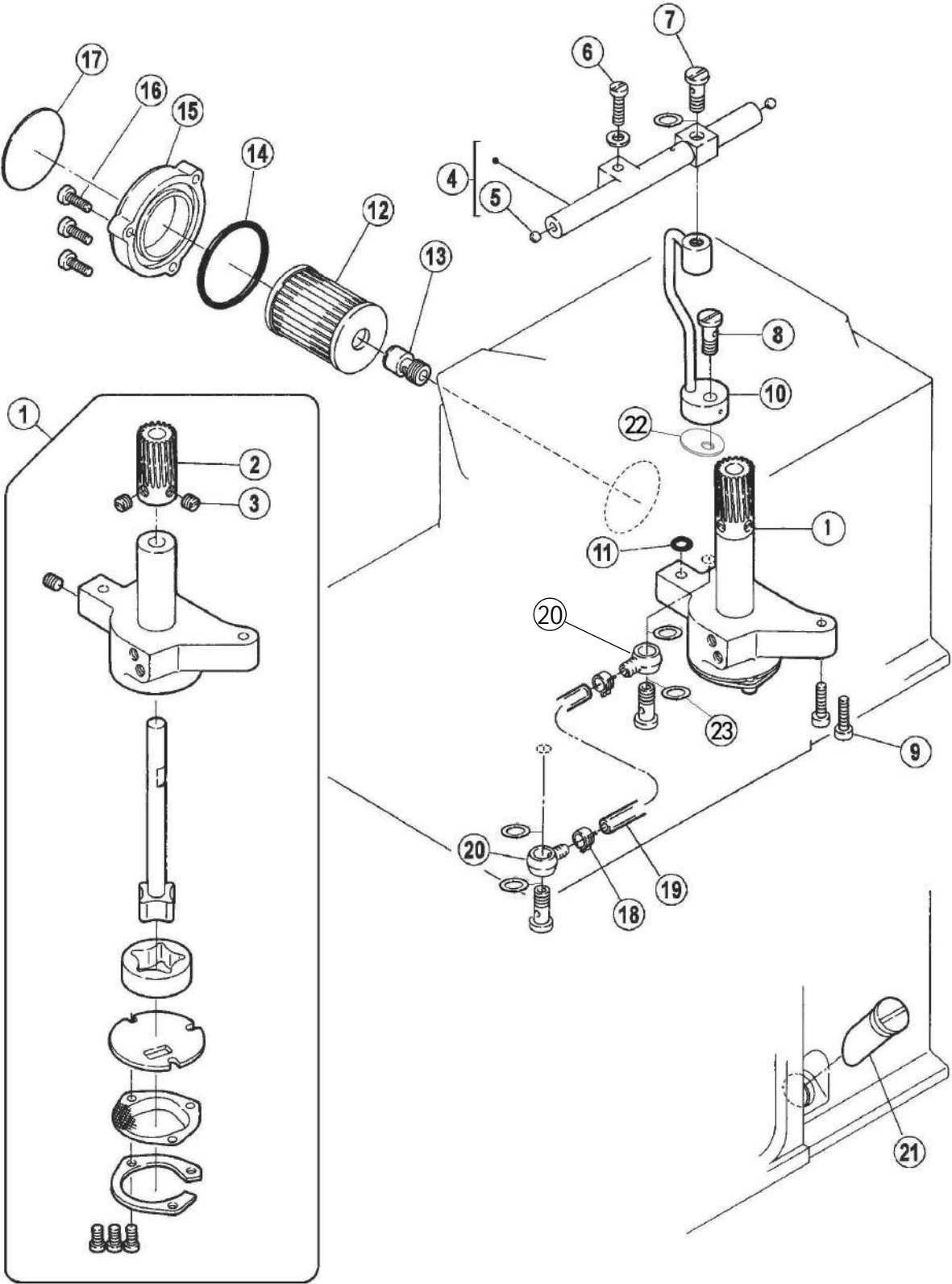
## 十八、剪布机构/Knife Drive Mechanism

序号 NO.	公司件号 Part NO.	参考件号 Ref.Part No.	名称	Description	数量 (Number)		
					三线 three-thread	四线 four-thread	五线 five-thread
1	400041	273000-92	上刀连杆	Connection	1	1	1
2	207S11016	7023	螺钉M4×16	Screw	2	2	2
3	20704012	273001-92	上刀曲柄	Crank	1	1	0
4	20704030	273002-92	上刀曲柄	Crank	0	0	1
5	S05018	4533	螺钉M6×0.75×12	Screw	1	1	1
6	20626003	271001	曲柄销	Pin	1	1	1
7	207S14007	4538	螺钉M4×6	Screw	1	1	1
8	30208001	240235-92	挡块	Collar	2	2	2
9	S10003	4547	螺钉M6×0.75×12	Screw	2	2	2
10	20702009	273003	上刀架轴	Upper Knife Lever	1	1	1
11	2072201700	----	油封	Oil Seal	1	1	1
12	----	----	----	----	----	----	----
13	20726005	273006	导向销	Pin	1	1	1
14	20701014	179712-05	上刀座	Upper Knife Clamp	1	1	0
15	20701036	179713-05	上刀座	Upper Knife Clamp	0	0	1
16	S04019	7020	螺钉M4×12	Screw	1	1	1
17	xxxxxxxx	xxxxxxxx	上刀	Upper Knife	1	1	1
18	211S12002	7013	螺钉M3.5×7.5	Screw	1	1	1
20	2070150	210757	绞刀安装板	Angled Upper Knife Clamp	0	0	1
21	xxxxxxxx	xxxxxxxx	切刀	Angled Upper	0	0	1
22	207S11020	7008	螺钉M3×4	Screw	0	0	1
23	20712053	210758	上刀凹角切	Angled Upper Knife Gib	0	0	1
24	20712051	179341-15	挡板	Waste Guard	0	0	1
25	----	----	----	----	----	----	----
26	S11025	----	螺钉M4×20	Screw	0	0	1
27	W01011	----	垫圈	Washer	0	0	1
28	20701015	273008	下刀架	Lower Knife Holder	1	1	0
29	20701037	273009	下刀架	Lower Knife Holder	0	0	1
30	S01010	7019	螺钉M4×7.5	Screw	1	1	1
31	20712021	273010	挡板	Lower Knife Holder Guard	1	1	1
32	207S11019	7082	螺钉M4×7.5	Screw	2	2	2
33	20727006	240324	弹簧	Spring	1	1	1
34	20712022	273007	挡板	Plate	1	1	1
35	207S11007	7019	螺钉M4×7.5	Screw	1	1	1
36	xxxxxxxx	xxxxxxxx	下刀	Lower Knife	1	1	1
37	20709013	273012	压板	Lower Knife Clamp	1	1	1
38	207S12004	7173	螺钉M5×8	Screw	1	1	1
39	20701052	179712-05	上刀座(H)	Upper Knife Clamp (H)	0	0	1



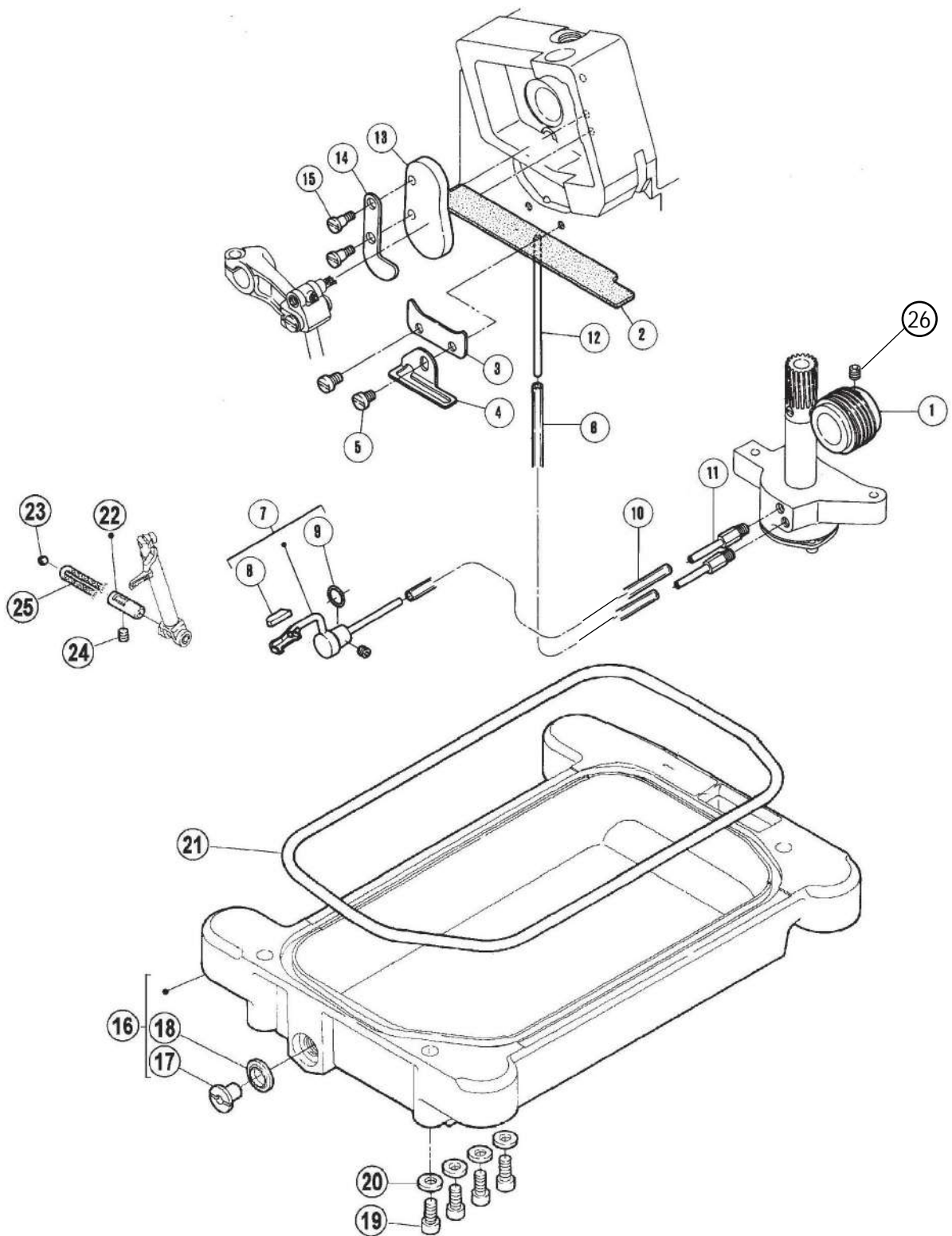
## 十九、抬压脚机构/Presser Foot Mechanism

序号 NO.	公司件号 Part NO.	参考件号 Ref. Part No.	名称	Description	数量 (Number)		
					三线 three-thread	四线 four-thread	五线 five-thread
1	20712023	274007	抬压脚杠杆	Lever	1	1	1
2	207S20008	7060	抬压脚螺钉M10	Screw	1	1	1
3	20727007	274008	扭簧	Spring	1	1	1
4	20712024	274009	角板	Stopper	1	1	1
5	S04060	7020	螺钉M4×10	Screw	2	2	2
6	207S11031	7175	螺钉M4×24	Screw	1	1	1
7	N01004	4805	螺母M5	Nut	1	1	1
8	20616001	274006	弯钩	Link	1	1	1
9	20612030	274004	抬压脚小杠杆	Lever	1	1	1
10	20608004	274003-92	抬压脚复位圈	Collar	1	1	1
11	S05002	4534	螺钉M6×0.75×15.2	Screw	1	1	1
12	20827004	274043	弹簧	Spring	1	1	1
13	20803015	274044	轴套	Bushing	1	1	1
14	S10009	7023	螺钉M6×8	Screw	1	1	1
15	20802013	274001A	压脚轴	Shaft	1	1	1
16	20701016	274000-B	压脚臂	Presser Arm	1	1	1
17	20626016	208549	压脚臂连杆销	Pin	1	1	1
18	S10011	4594	螺钉M4×0.5×4	Screw	1	1	1
19	20808007	274042-92	挡圈	collar	1	1	1
20	207S13009	4541	螺钉M5×12	Screw	1	1	1
21	20827005	274055	弹簧	Spring	1	1	1
22	2081201400	274045-91	抬牙杠杆组件	Lever	1	1	1
23	20812016	274054	压板	Stopper	1	1	1
24	208S11011	7018	螺钉M4×6	Screw	1	1	1
25	20804006	223218A92	杠杆	Lever	1	1	1
26	207S11032	4531	螺钉M5×12	Screw	1	1	1
27	20719054	208773A	压脚弹簧	Spring	1	1	1
28	20702014	274014	调节螺柱	Adjusting Screw	1	1	1
29	207S16003	274015	螺母	Nut	1	1	1
30	20812032	274039	压杆扳手	Lever	1	1	1
31	207S20009	7171	螺钉	Screw	1	1	1
32	20627010	274017	压杆扳手扭簧	Spring	1	1	1
33	20812033	274040	调节板	Stopper	1	1	1
34	207S11007	7019	螺钉M4×7.5	Screw	1	1	1
35	20019003	202451	割线刀	Chain Cutter	1	1	1
36	207S11020	7008	螺钉M3×4	Screw	1	1	1
37	20804007	274048-91	连杆	Lever	1	1	1
38	20812018	274041	连节板	link	1	1	1
39	208S20001	7193	螺钉	Screw	1	1	1
40	W01006	-----	垫圈	Screw	1	1	1



## 二十、供油机构(1)/Lubrication Mechanism(1)

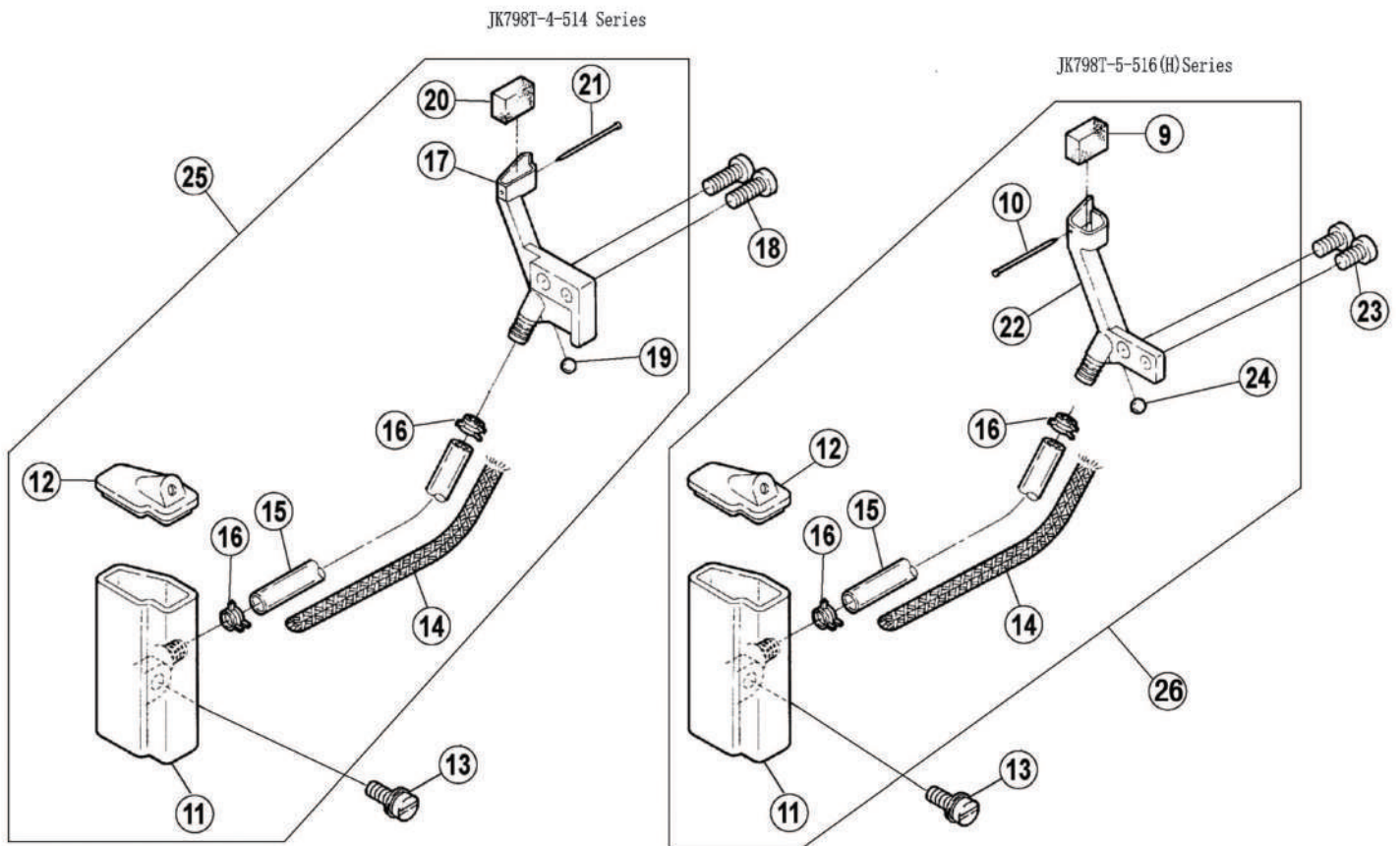
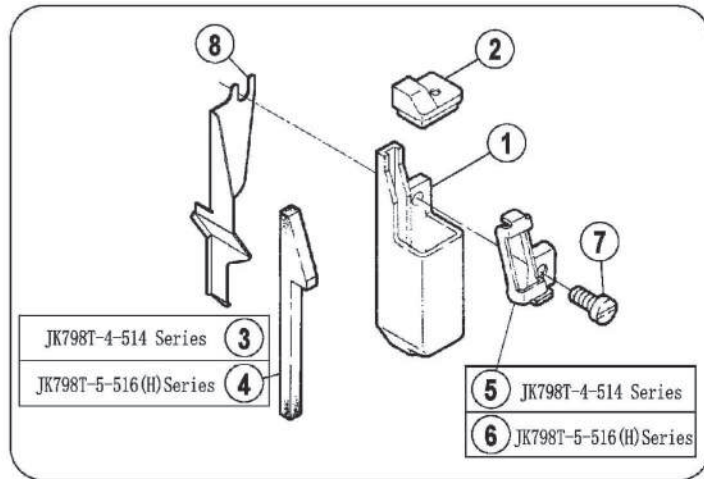
序号 NO.	公司件号 Part NO.	参考件号 Ref. Part No.	名称	Description	数量 (Number)		
					三线 three-thread	四线 four-thread	五线 five-thread
1	20820001	274546-91	油泵组件	Pump	1	1	1
2	20725002	211618	蜗轮	Worm Wheel	1	1	1
3	207S15002	5060	螺钉M8×4.5	Screw	2	2	2
4	2071100900	274515-91	分油器组件	Oil Distributor Comple	1	1	1
5	20709014	210214	滚珠	Plug	2	2	2
6	207S30002	004211-HU0	组合螺钉M4×16	Screw	1	1	1
7	206S30009	240328	过油螺钉	Joint Screw	1	1	1
8	206S30009	240328	过油螺钉	Joint Screw	3	3	3
9	207S13008	4529	螺钉M4×16	Screw	2	2	2
10	2082100200	274532-91	分油器组件	Oil Distributor	1	1	1
11	20622010	204185	O型圈	O Ring	1	1	1
12	20136001	----	滤油器	Filter Element	1	1	1
13	20836001	274528	油线接座	Joint	1	1	1
14	o01010	206431	O型圈	O Ring	1	1	1
15	300140	210201-SD	过滤器盖	Oil Filter Cap	1	1	1
16	207S11008	7021	螺钉M4×12	Screw	3	3	3
17	20136001	9A3002	滤油器	Filter Element	1	1	1
18	20729005	202199	油管卡簧	Clamp	2	2	2
19	12921003	240327	油管Φ5×Φ8	Tube	0.18m	0.18m	0.18m
20	20736007	200136	油管接头	Joint	2	2	2
21	20811005	274539	油位标	Oil Slight Gauge	1	1	1
22	20822011	----	油盖垫	Oil cover washer	1	1	1
23	20122033	----	垫片	washer	5	5	5



## 二十一、供油机构(2)/Lubrication Mechanism(2)

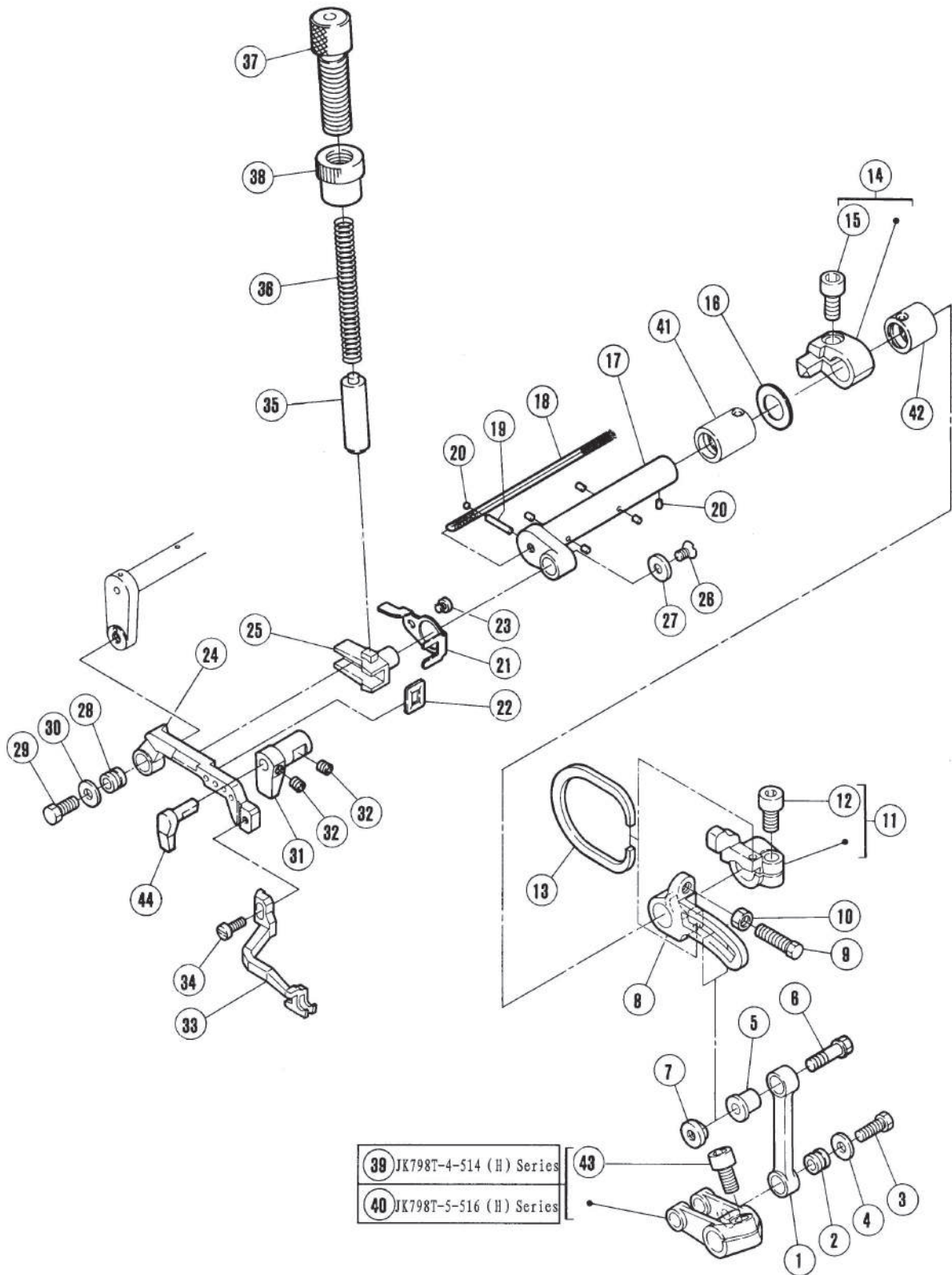
序号 NO.	公司件号 Part NO.	参考件号 Ref. Part No.	名称	Description	数量 (Number)		
					三线 three-thread	四线 four-thread	五线 five-thread
1	20725003	274504	蜗杆	worm	1	1	1
2	20823006	274549	油毡	Felt	1	1	1
3	20823006	274550	压板	Cover	1	1	1
4	20812020	274559	挡板	Spacer	1	1	1
5	207S11011	7018	螺钉M4×5	Screw	2	2	2
6	20721008	212152	油管	Tube	1	1	1
7	2083600200	274552A-92	吸油嘴组件	Joint	1	1	1
8	20721011	274556	油管 φ2×φ4	Felt	0.17m	0.17m	0.17m
9	20622010	204185	O型圈	O Ring	1	1	1
10	20721011	210320	油管 φ2×φ4	Tube	0.34m	0.34m	0.34m
11	20521009	209656A	铜油嘴	Joint	2	2	2
12	20621001	210320	回油管	Exhaust oil Distributor	1	1	1
13	20823008	274529	油毡	Felt	1	1	1
14	20812034	274530	板	Cover	1	1	1
15	208S11004	7192	螺钉	Screw	2	2	2
16	20701026	274500	油盘	Oil Reservoir	1	1	1
17	207S13002	5138B	放油螺钉	Screw	1	1	1
18	20528014	202287A	油盘放油垫圈	Washer	1	1	1
19	207S13009	4531	螺钉M5×12	Bolt	4	4	4
20	20628018	240339	垫片	Washer	4	4	4
21	20722008	274501	油盘垫	Gasket	1	1	1
22	20626007	274514	上弯针滑杆过油器	Pipe Assy	1	1	1
23	20709015	240338	滚珠	Ball	1	1	1
24	207S14001	4543	螺钉M4×4	Screw	1	1	1
25	20123021	---	JK795油线	Oil wick	1	1	1
26	207S14012		螺钉M5×5	Screw	1	1	1





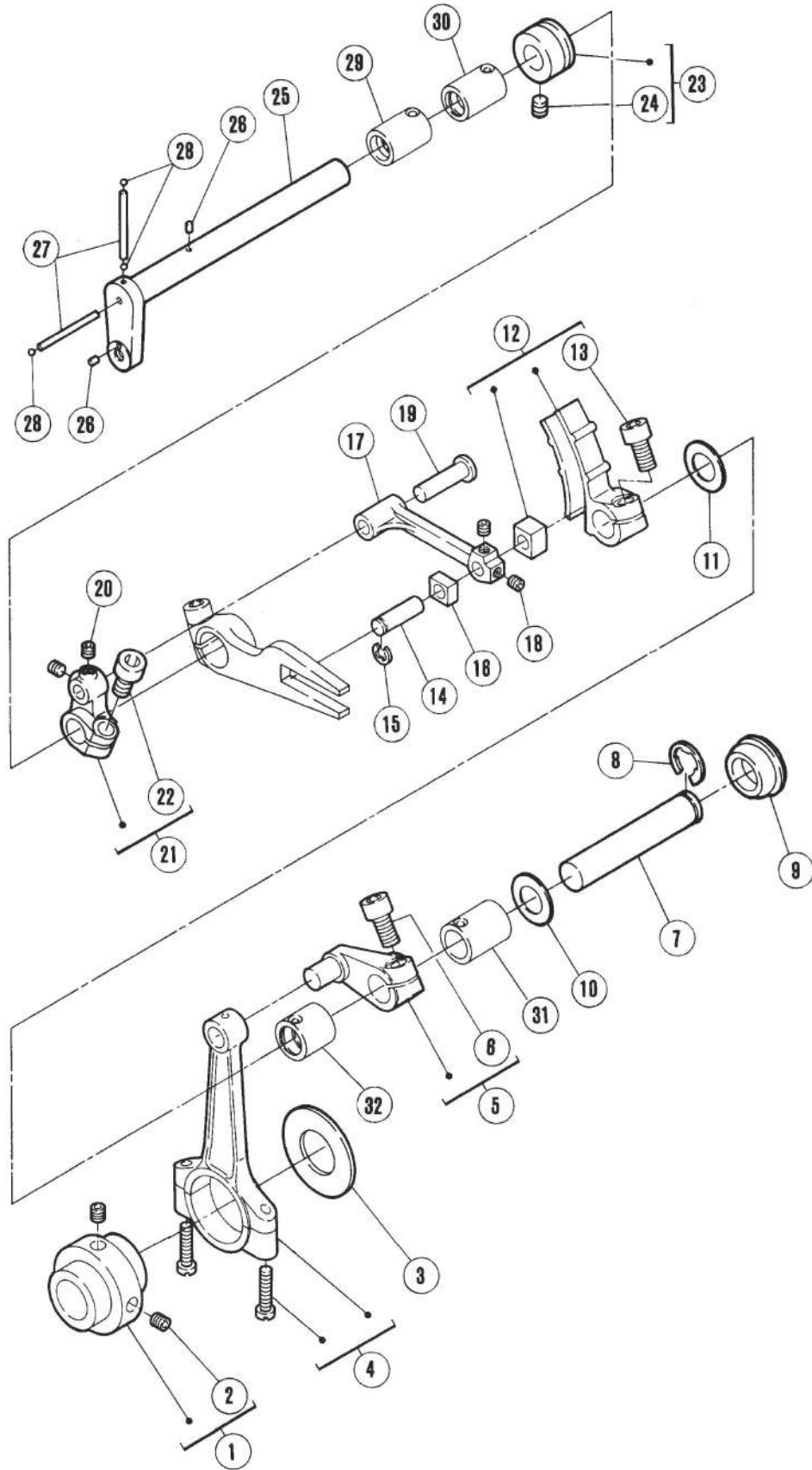
## 二十二、HR装置机构部件/H. R. Device

序号 NO.	公司件号 Part NO.	参考件号 Ref. Part No.	名称	Description	数量 (Number)		
					三线 three-thread	四线 four-thread	五线 five-thread
1	20711014	275500	上硅油盒	Silicone Oil Reservoir	1	1	1
2	20711015	275501	上硅油盒盖	Cover	1	1	1
3	20723008	275503	油毡	Felt	1	1	0
4	20719051	275546	毛毡	Felt	0	0	1
5	20712040	275502	过线架	Thread Guide	1	1	0
6	20713019	275507	过线架	Thread Guide	0	0	1
7	S04060	7020	螺钉M4×10	Screw	1	1	1
8	20712042	277888	挡油板	Cover	1	1	1
9	20723009	204466	油毡	Oil Felt	0	0	1
10	20726010	210766	别针	Pin	0	0	1
11	20711016	----	下硅油盒	Silicone Oil Reservoir	1	1	1
12	20711017	275505	下硅油盒盖	Cover	1	1	1
13	207S30003	004210-HU0	组合螺钉M4×12	Screw	1	1	1
14	40123013	202175	油线	Oil Wick	1	1	1
15	40121002	240331	油管	Tube	1	1	1
16	20712041	200155	油管夹	Clamp	2	2	2
17	20701027	275506	针线冷却器	Needle Thread Lubricator	1	1	0
18	207S11008	7021	螺钉M4×10	Screw	2	2	0
19	20709014	210214	滚珠	Plug	1	1	0
20	20723009	204466	油毡	Oil Felt	1	1	0
21	20726010	210766	别针	Pin	1	1	0
22	20701038	275509	针线冷却器	Needle Thread Lubricator	0	0	1
23	207S11007	70196	螺钉M4×7.5	Screw	0	0	2
24	20709014	210214	滚珠	Plug	0	0	1
25	2071101600	----	下硅油盒组件	Silicone Oil Reservoir	1	1	0
26	2070103000	----	下硅油盒组件A	Silicone Oil Reservoir	0	0	1



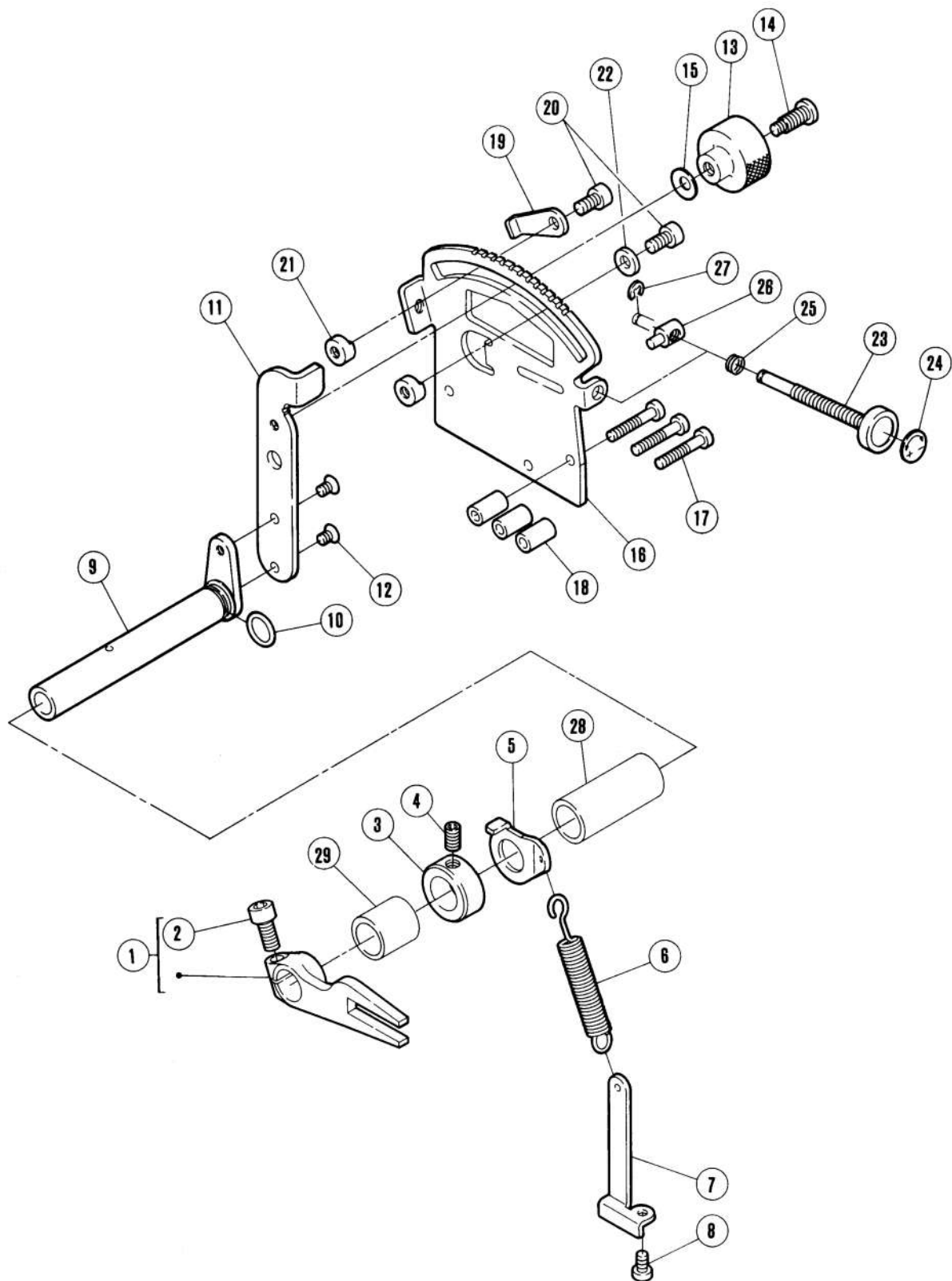
### 二十三、上送机构(1)/Top Feed Mechanism(1)

序号 NO.	公司件号 Part NO.	参考件号 Ref. Part No.	名称	Description	数量 (Number)		
					三线 three-thread	四线 four-thread	五线 five-thread
1	20805001	276534	连杆	Link	1	1	1
2	20803002	179160-05	衬套	Bushing	1	1	1
3	207S12003	7056	螺钉M5×13	Screw	1	1	1
4	30228008	204115	垫片	Washer	1	1	1
5	20803005	276535	套	Bushing	1	1	1
6	208S12003	7233	六角头螺栓	Bolt	1	1	1
7	208S16005	276526	螺母	Nut	1	1	1
8	20804002	276533	曲柄	Crank	1	1	1
9	208S12001	7206	六角头螺栓	Bolt	1	1	1
10	208N12001	7207	螺母	Nut	1	1	1
11	400288	276536-92	挡套	Collar	1	1	1
12	S05018	4533	螺钉M6×12	Screw	1	1	1
13	20829006	276538	卡簧	Flat Spring	1	1	1
14	400690	276520-92	挡圈	Collar	1	1	1
15	S05018	4534	螺钉M6×14	Screw	1	1	1
16	20628011	240311	垫片	Washer	1	1	1
17	400650	276527	曲柄轴	Crankshaft	1	1	1
18	20123021	----	JK-795油线	Oil Wick	1	1	1
19	20523005	----	788油线	Oil Wick	1	1	1
20	30223009	----	油毛毡	Oil Felt	2	2	2
21	20812001	276540	防油板	Guide	1	1	1
22	20822004	276539	油封	Oil Seal	1	1	1
23	208S11007	7007	螺钉	Screw	1	1	1
24	20808003	276529	上送布架	Top Feed Bar	1	1	1
25	20809001	276530	上下导向	Guide	1	1	1
26	207S17005	7044	螺钉M4×8	Screw	1	1	1
27	20828001	240294	垫圈	Washer	1	1	1
28	20703016	179160-05	连杆套	Bushing	1	1	1
29	207S12003	7056	螺钉M5×13	Screw	1	1	1
30	30228008	204115	垫片	Washer	1	1	1
31	20809002	276531	上送布架导向	Guide	1	1	1
32	207S14001	4543	螺钉M4×4	Screw	1	1	1
33	20814001	277320	上送布齿	Top Feed Dog	1	1	1
33	20814014	----	上送布齿(四线)	Top Feed Dog	1	1	1
33	20814015	277321	上送布齿(5线70)	Top Feed Dog	1	1	1
33	20814019	277343	上送布齿(5线厚料)	Top Feed Dog	1	1	1
34	S01029	7014	螺钉M3.5×7.5	Screw	1	1	1
35	20802003	274035	压紧杆	Presser Bar	1	1	1
36	20827001	240291	弹簧	Spring	1	1	1
37	208S30002	274036	调压螺钉	Screw	1	1	1
38	208S16006	274037	调压螺母	Nut	1	1	1
39	20804015	273001A92	上刀曲柄	Crank	0	1	0
40	20804003	273002A92	上刀曲柄	Crank	0	0	1
41	20803006	577600	轴套	Sleeve	1	1	1
42	20803007	577601	轴套	Sleeve	1	1	1
43	S05018	4533	螺钉M6×12	Screw	1	1	1
44	20809003	276532	上送布架导向	Guide	1	1	1



## 二十四、上送机构 (2) /TOP Feed mechanism(2)

序号 NO.	公司件号 Part NO.	参考件号 Ref. Part No.	名称	Description	数量 (Number)		
					三线 three-thread	四线 four-thread	五线 five-thread
1	400318	276500-92	偏心凸轮	Eccentric	1	1	1
2	207S14006	4514	螺钉M5×5	Screw	2	2	2
3	20828002	240297	垫圈	Washer	1	1	1
4	400319	276501-92	连杆组件	Connection	1	1	1
5	20804004	276502-92	曲柄	Crank	1	1	1
6	S05018	4533	螺钉M6×12	Screw	1	1	1
7	20802004	271003B	轴	Rod	1	1	1
8	H05008	202577	卡簧	Ring	1	1	1
9	20722002	2040110	塞子	Plug	1	1	1
10	20628014	208235	上刀架垫片	Washer	1	1	1
11	20628014	208235	上刀架垫片	Washer	1	1	1
12	20828004	276504-91	曲柄组件	Crank Assembly	1	1	1
13	S05018	4533	螺钉M6×12	Screw	1	1	1
14	20826002	276507	销	pin	1	1	1
15	H05012	201629	卡簧	Ring	1	1	1
16	20809005	276508	滑块	Block	1	1	1
17	20805005	276509	连杆	Link	1	1	1
18	207S14001	4543	螺钉M4×4	Screw	2	2	2
19	20826003	276510	销	pin	1	1	1
20	207S14001	4543	螺钉M4×4	Screw	2	2	2
21	20804005	276511-92	曲柄	Crank	1	1	1
22	S05018	4533	螺钉M6×12	Screw	1	1	1
23	20803008	276537-92	轴套	Crank	1	1	1
24	207S14006	4514	螺钉M5×5	Screw	1	1	1
25	400607	276512	轴	Crankshaft	1	1	1
26	30223009	207358	油毛毡	oil Felt	3	3	3
27	20523005	---	JK788油线	oil Felt	1	1	1
28	20523005	---	JK788油线	oil Felt	1	1	1
29	20803009	577602	轴套	Sleeve	1	1	1
30	20703009	577603	轴套	Sleeve	1	1	1
31	20703001	577604	轴套	Sleeve	1	1	1
32	20803007	577601	轴套	Sleeve	1	1	1



## 二十五、上送机构 (3) /Top Feed Mechanism(3)

序号 NO.	公司件号 Part NO.	参考件号 Ref. Part No.	名称	Description	数量 (Number)		
					三线 three-thread	四线 four-thread	五线 five-thread
1	20805006	276513-92	连杆	Lever	1	1	1
2	S05018	4534	螺钉M6×14	Screw	1	1	1
3	20808004	240296	挡圈	Collar	1	1	1
4	208S13001	4521	螺钉M6×10	Screw	1	1	1
5	20812005	276515	板	Latch	1	1	1
6	20827002	276503	弹簧	Spring	1	1	1
7	20812006	276516	紧锁架	Latch	1	1	1
8	207S11007	7019	螺钉M4×7.5		1	1	1
9	400287	276514	轴	Rod	1	1	1
10	001026	201022	O型圈	O Ring	1	1	1
11	20812007	276517	连接板	Lever	1	1	1
12	207S17005	7077	螺钉M4×8	Screw	2	2	2
13	208S16007	276519	调节螺母	Nut	1	1	1
14	208S30003	7059	螺钉	Screw	1	1	1
15	20728003	211301	蝶形垫片	Spring Washer	1	1	1
16	20812008	276518	调节板	Blade guide	1	1	1
17	208L15001	7026	螺钉M4×25	Screw	3	3	3
18	20808005	240332	挡套	Spacer	3	3	3
19	20812009	276524	挡板	Stopper	1	1	1
20	207S13009	4531	螺钉M5×12	Screw	2	2	2
21	208S16009	179201-15	螺母	Nut	2	2	2
22	20628018	240339	垫片	Washer	1	1	1
23	20702007	303448	调节杆	Adgusting Bar	1	1	1
24	20737001	272538A	标签	Seal	1	1	1
25	20727005	210533	弹簧	Spring	1	1	1
26	20709007	272539A	螺母	Pin	1	1	1
27	H05018	240322	卡簧	ping	1	1	1
28	20803013	577606	轴套	Sleeve	1	1	1
29	20803014	577608	轴套	Sleeve	1	1	1



# 杰克缝纫机

## 全球销量遥遥领先

Leading in global sales

400-8876-858  
www.chinajack.com



JACK SEWING MACHINE CO.,LTD.

20年' )月 · Edition:October,2019

### 杰克缝纫机股份有限公司

中国浙江省台州市椒江区三甲东海大道东段1008号

电话 :0086-576-88177788 88177789

传真 :0086-576-88177758

产品标准代号 : Q/TK 007-2017

资料如有更改, 恕不另行通知, 以实样为准

### JACK SEWING MACHINE CO.,LTD.

NO.1008,DONGHAI AVENUE EAST,JIAOJIANG DISTRICT,TAIZHOU CITY , ZHEJIANG

TEL: 0086-576-88177782 88177767 E-mail: sales@chinajack.com

FAX: 0086-576-88177787

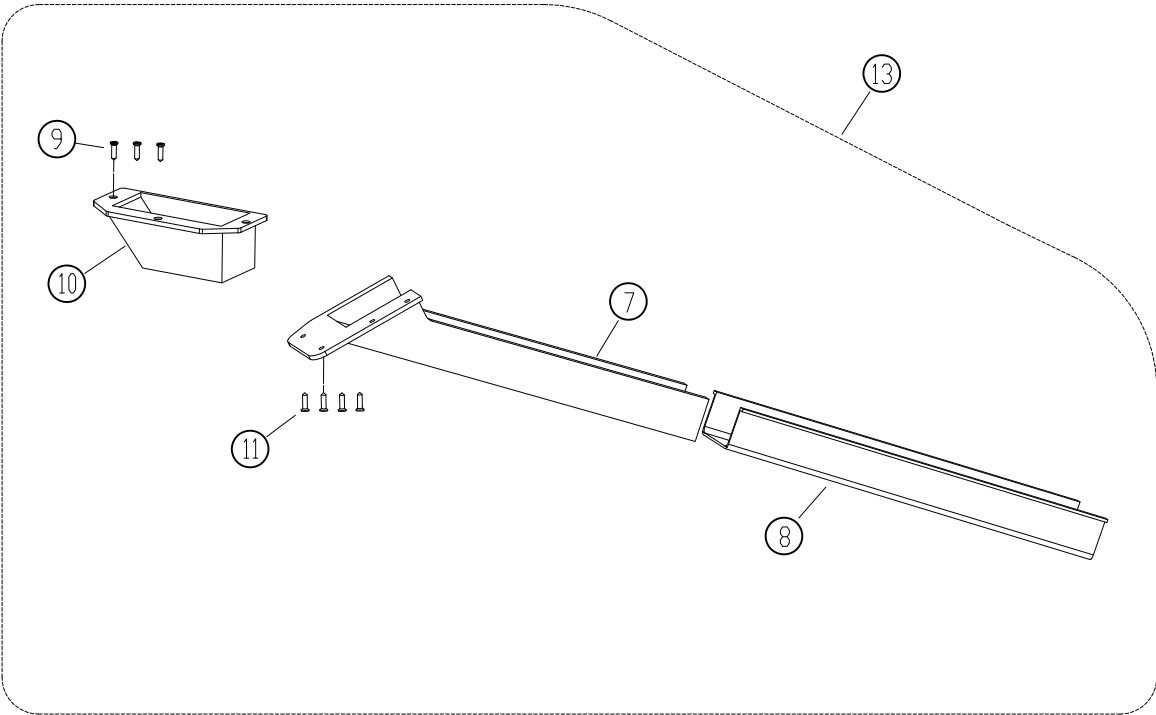
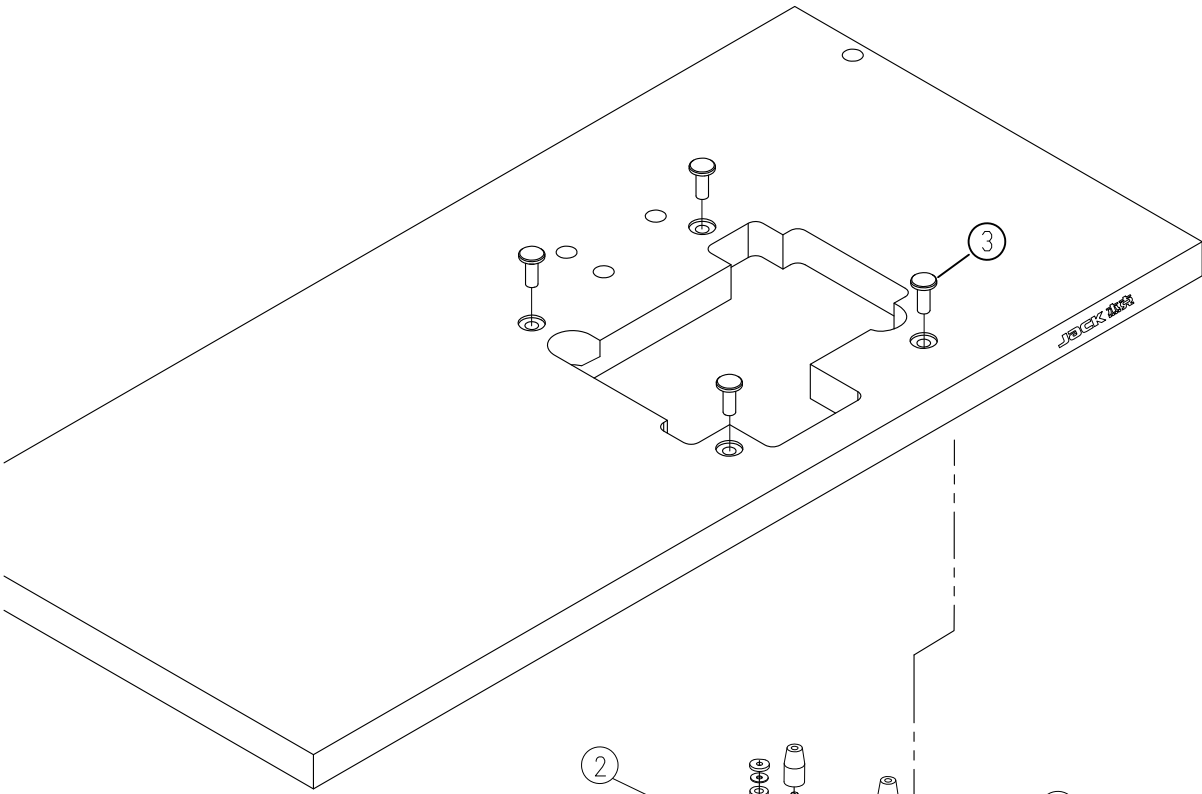
www.chinajack.com

Standard code of the products:Q/TK 007-2017

You will be not informed if the file has been revised. Please set sample as standard.

## 二十六、线架部件 /Thread Spool Assemblies

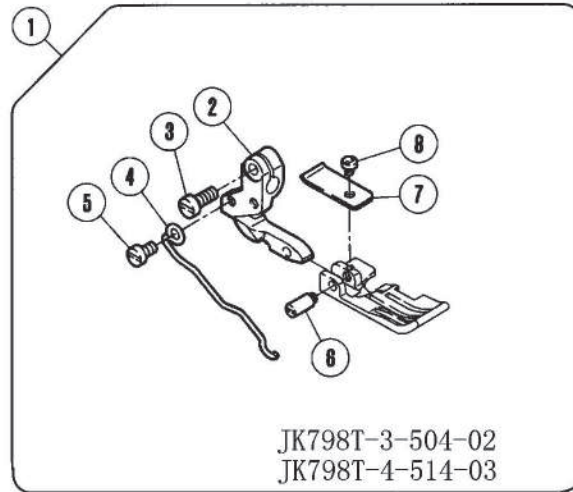
序号 NO.	公司件号 Part NO.	参考件号 Ref.Part No.	名称	Description	数量 (Number)		
					三线	四线	五线
					three-thread	four-thread	five-thread
1	20631018	4835	过线棒	Thread guide	1	0	0
2	30113019	293A	过线棒	Thread guide	0	0	1
3	20131019	293B	棒帽	Rod cap	1	1	1
4	21131008	293C	上管	Upper thread column	1	1	1
5	201S16006	4021	导线环螺母	Thread guide hook nut	2	4	4
6	21131009	----	导线架 (短)	Thread spool tray bracket	0	2	1
7	20131018	505-PA	过线环	Thread guide hook	3	4	5
8	20131021	505APA	棒架螺钉	Screw	2	2	2
9	21131010	7102	棒架	Clamp plate	1	1	1
10	201S16004	512	螺母	Nut	4	4	4
11	20131022	4022	棒架螺钉	Screw	2	2	2
12	201S16004	380A	螺母	Nut	4	4	4
13	21131011	201252	导线环	Thread guide hook	2	2	2
14	20131020	4803	导线环螺钉	Screw	2	4	4
15	21131012	381-PA	导线架 (长)	Thread spool tray bracket	1	0	1
16	20131011	507	导线棒	Thread guide bar	1	1	1
17	20631019	382-PA	过线棒	Thread guide	0	1	0
18	21131013	4803	固定器	Thread guide joint	1	1	1
19	S04050	502-PA	螺钉M5×15	Screw	2	2	2
20	21131014	503-PA	套	Bushing	1	1	1
21	N01030	504-PA	套螺母	Nut	2	2	2
22	21131015	4012	线圈定位套	Spool Cushion	3	4	5
23	20131006	4803	线托棒	Spool pin	3	4	5
24	20131010	527-PA	线盘垫	Spool tray cushioning	3	4	5
25	21131016	527APA	线盘	Spool tray	3	4	5
26	21131017	4021	托线架 (长)	Thread spool tray bracket	1	0	1
27	201S16004	----	螺母	Nut	3	4	5
28	20128018	506	垫圈	Washer	3	4	5
29	21131018	386	下管	Lower thread cloumn	1	1	1
30	201S16005	509	螺母	Nut	1	1	1
31	20128025	----	下管垫圈	Lower washer	2	2	2
32	21131019	----	托线架 (短)	Thread spool tray bracket	0	2	1
33	20122049	----	防震垫	Plate dog link washer	2	2	2
34	20631020	----	过线棒	Thread guide	0	0	1 (六线)
35	2113101700	----	线架组件	Thread stand component	1	0	0
	2113101800	----	线架组件	Thread stand component	0	1	0
	2113101900	----	线架组件	Thread stand component	0	0	1
	2113102700	----	线架组件	Thread stand component	0	0	1 (六线)



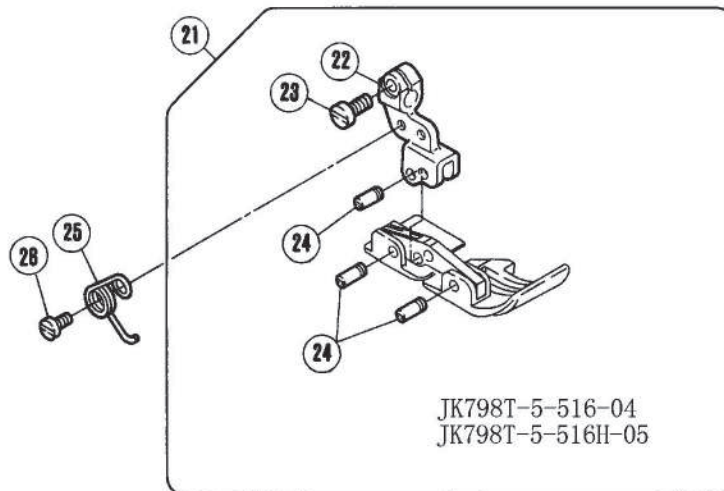
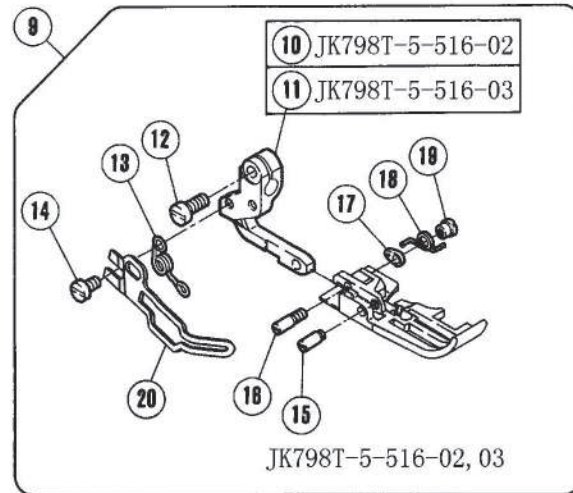
## 二十七、托盘部件/Part For Semi-Submerged Installation

序号 NO.	公司件号 Part NO.	参考件号 Ref. Part No.	名称	Description	数量 (Number)		
					三线 three-thread	四线 four-thread	五线 five-thread
1	20711058	276001	托盘	Rest Board	1	1	1
2	20722018	179483-05	托盘防震连接垫	Cushion Rubber	4	4	4
3	20131028	206336	托盘固定螺母	Nut	4	4	4
4	20131029	----	大垫圈	Spacer	16	16	16
5	20131027	----	托盘内六角螺钉	Screw	4	4	4
6	20131030	----	防震套	Washer	4	4	4
7	21231006	205468-PA	排料槽 I	Waste Chute	1	1	1
8	21231007	205469-PA	排料槽 II	Waste Chute	1	1	1
9	20131034	4904	排料槽座螺钉	Screw	3	3	3
10	21231005	----	排料槽座	Screw	1	1	1
11	207S11046	----	螺钉	Washer	4	4	4
12	30122031	----	减震垫圈	Spring Washer	8	8	8
13	2123100400	----	落料斗组件	Waste Chute Assy.	1	1	1
14	20712064	----	托架	oil pan	1	1	1
15	207S13006	4512	螺钉M4X9	oil pan	4	4	4

JK798T-4-514(H) Series



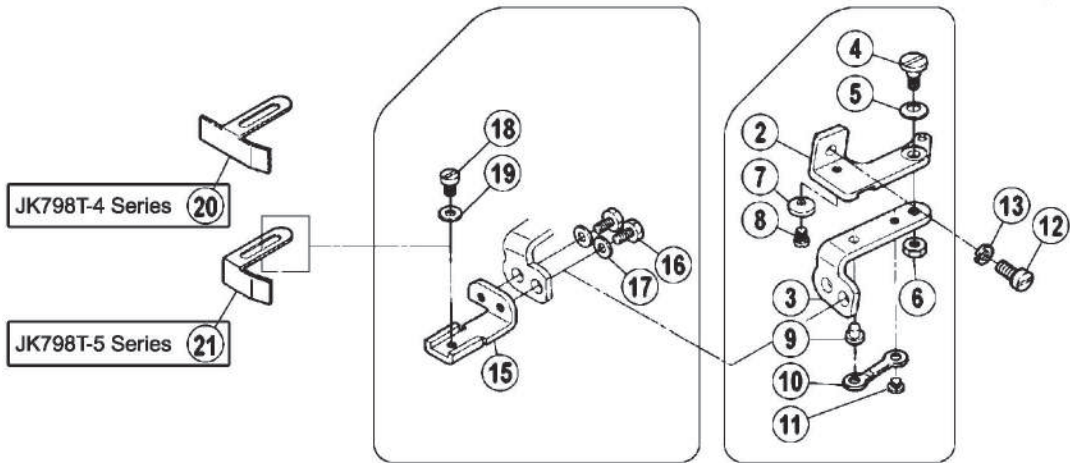
JK798T-5-516(H) Series



## 二十八、专用零件 Specific Parts

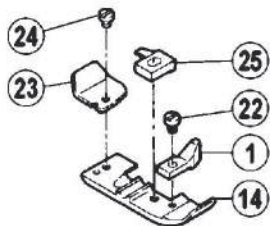
序号 NO.	公司件号 Part NO.	参考件号 Ref. Part No.	名称	Description	数量 (Number)		
					三线 three-thread	四线 four-thread	五线 five-thread
1	xxxxxxx	xxxxxxx	压脚组件	Presser Foot Assy.	0	1	0
2	20816004	----	压脚曲柄	Presser Foot Crank	0	1	0
3	207S11038	----	螺钉	Screw	0	1	0
4	20827013	274051	压脚弹簧	Spring	0	1	0
5	207S11009	7009	螺钉M3×4	Screw	0	1	0
6	208S11001	209229-B	压脚轴位螺钉	Screw	0	1	0
7	20714051	277108	护料压板	Fabric Guard	0	1	0
8	207S11034	5030	轴位螺钉	Screw	0	1	0
9	xxxxxxx	xxxxxxx	压脚组件	Presser Foot Assy.	0	0	1
10	20801016	277138	压脚曲柄	Presser Foot Crank	0	0	1
11	----	----	压脚曲柄	Presser Foot Crank	0	0	1
12	211S12002	7019	螺钉M3.5×7.5	Screw	0	0	1
13	20827006	274053	压脚弹簧	Spring	0	0	1
14	207S11019	7009	螺钉M3×4.5	Screw	0	0	1
15	208S11001	209229-B	压脚轴位螺钉	Screw	0	0	1
16	208S11003	209229AB	压脚轴位螺钉	Screw	0	0	1
17	20829003	212498	压脚弹簧卡板	Latch	0	0	1
18	20827007	274028	弹簧	Spring	0	0	1
19	208N16002	3153	螺母	Nut	0	0	1
20	20812022	277154-40-3	压脚护手	Finger Guard	0	0	1
21	xxxxxxx	xxxxxxx	压脚组件	Presser Foot Assy.	0	0	1
22	20801047	----	压脚曲柄	Presser Foot Crank	0	0	1
23	211S12002	7019	螺钉M3.5×7.5	Screw	0	0	1
24	208S20002	208958-B	压脚轴位螺钉	Screw	0	0	3
25	20719053	274024	压脚弹簧	Spring	0	0	1
26	207S11020	7008	螺钉M3×4	Screw	0	0	1

JK798T-3-504-32R2  
 JK798T-4-514-M03,M53,M54  
 JK798T-5-516-02A,03,A04



卷邊縫 (Turn down hemming)

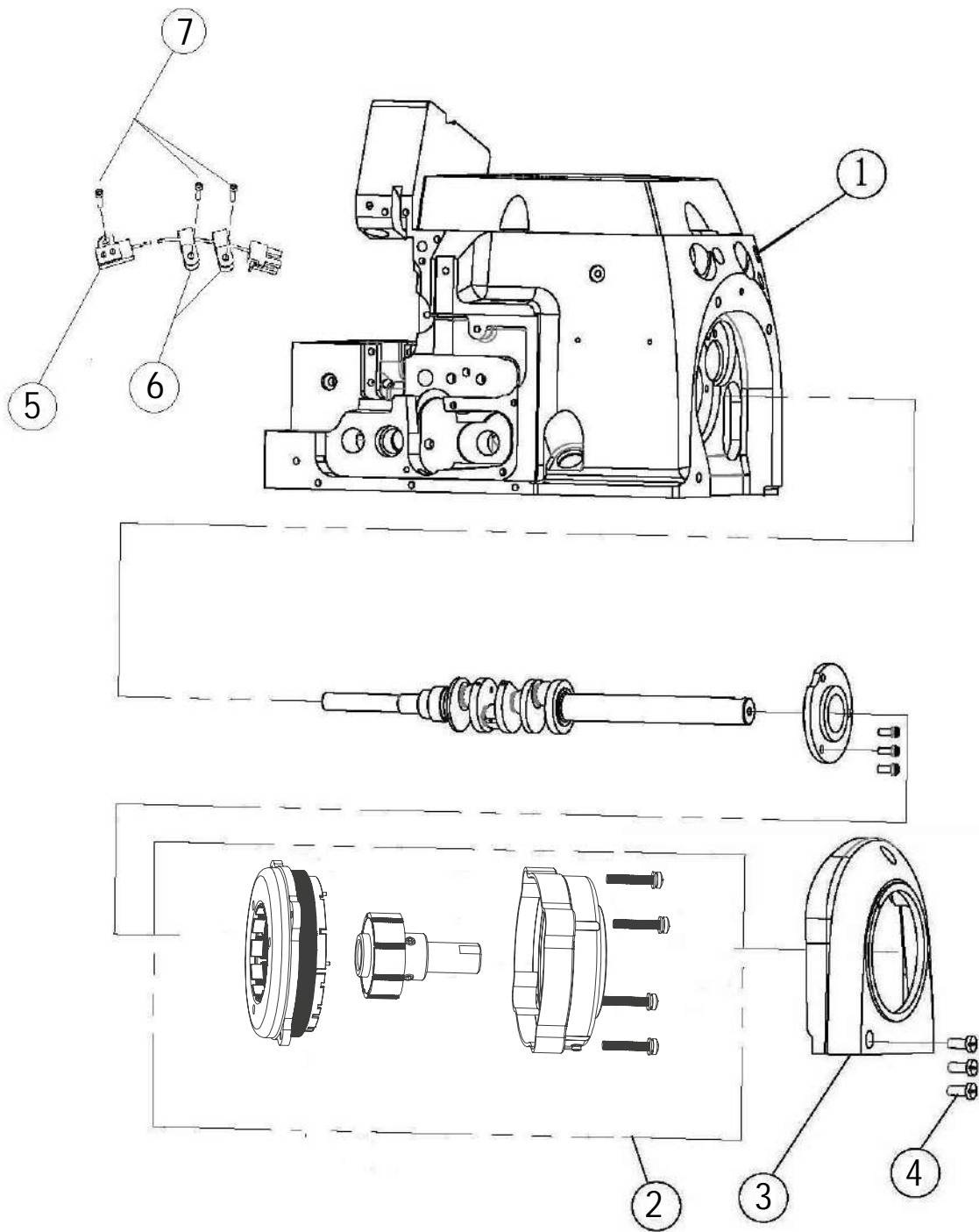
JK798T-3-504-32R2



## 二十九、专用零件/Specific Parts

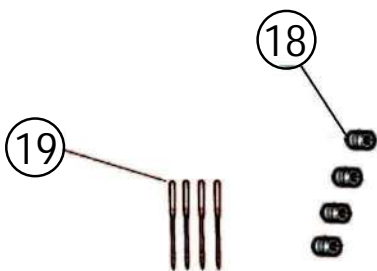
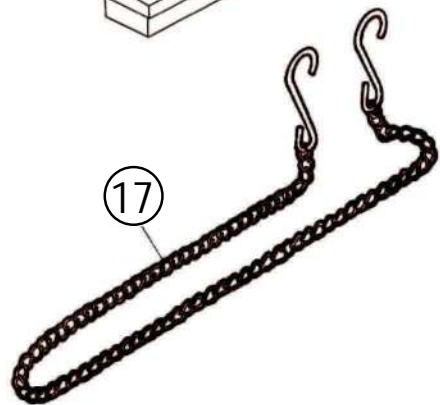
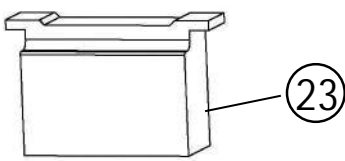
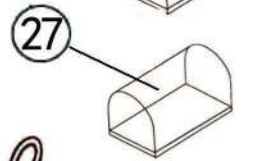
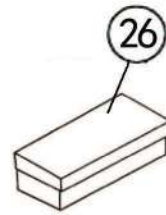
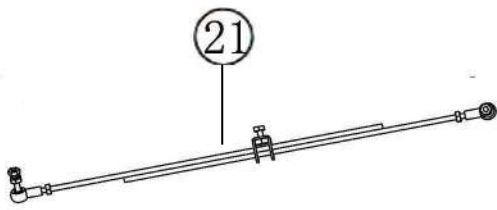
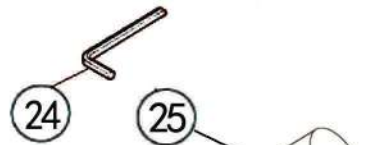
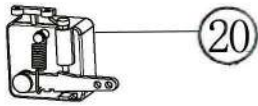
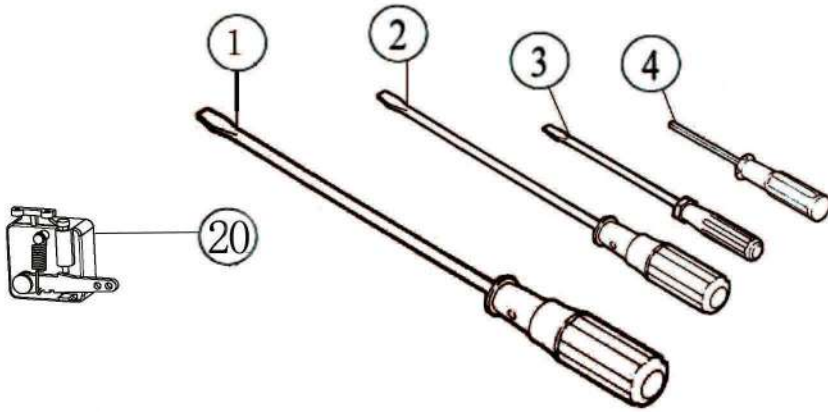
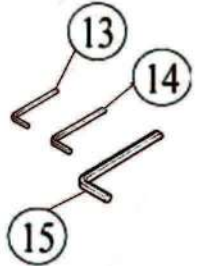
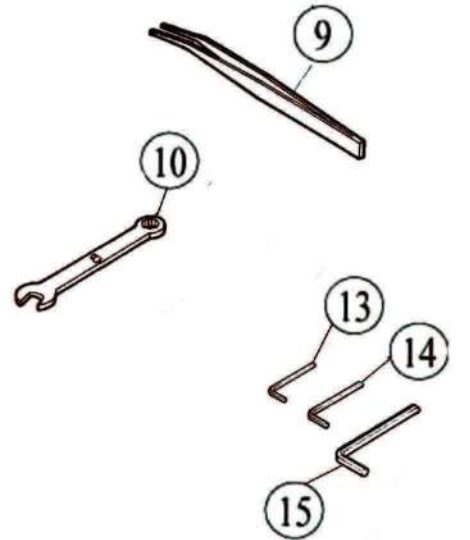
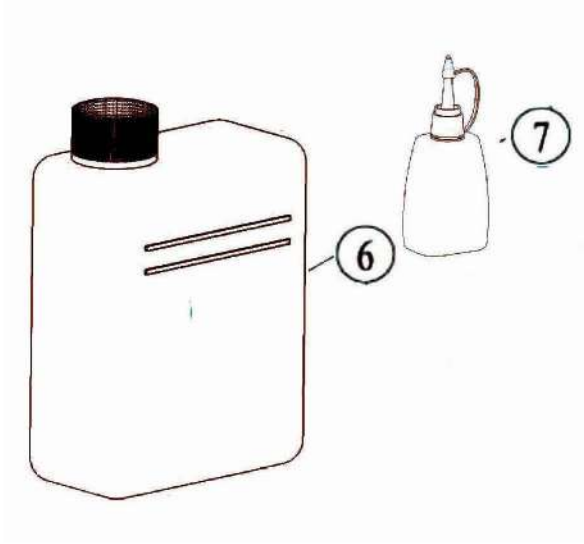
序号 NO.	公司件号 Part NO.	参考件号 Ref. Part No.	名称	Description	数量 (Number)		
					三线 three-thread	四线 four-thread	五线 five-thread
1	xxxxxxx	xxxxxxx	辅助压脚	Fabric Guard	1	0	0
2	20112051	210680	送料支架	Cloth Plate Bracket	1	1	1
3	20112052	210681	铰链	Hinge Guide Bracket	1	1	1
4	201S20002	5184	螺钉	Screw	1	1	1
5	20128027	201191	垫圈	Spring	1	1	1
6	201S16003	3044	螺母	Nut	1	1	1
7	----	----	垫圈	Spring	1	1	1
8	----	----	螺钉	Screw	1	1	1
9	20126020	210683	铰链销	Pin	1	1	1
10	20112053	210684	铰链弹簧	Flat Spring	1	1	1
11	201S11011	2906	螺钉	Screw	1	1	1
12	S01010	7019	螺钉M4×8	Screw	1	1	1
13	W02002	----	垫圈4	Spring Washer	1	1	1
14	xxxxxxx	xxxxxxx	压脚	Presser Foot	1	0	0
15	20112056	210687	挡料板座	Edge Guide Bracket	1	1	1
16	201S12001	5088	螺钉M4×7.5	Bolt	2	2	2
17	20128020	167066	垫片	Washer	2	2	2
18	201S11010	1202	螺钉C4	Screw	1	1	1
19	20128020	167066	垫片	Washer	1	1	1
20	20112054	204667	挡料板	Edge Guide	1	1	0
21	20112055	201233A	挡料板	Edge Guide	0	0	1
22	207S11033	1231	螺钉M1×3.4	Screw	1	0	0
23	20712031	211600	辅助压脚板	Unclurler	1	0	0
24	207S11034	5030	螺钉M1×2.3	Screw	1	0	0
25	xxxxxxx	xxxxxxx	压脚爪	Presser Foot Finger	1	0	0





### 三十、798TD I 直驱部件/798TD I Direct Drive Assemblies

序号 NO.	公司件号 Part NO.	参考件号 Ref.Part No.	名称	Description	数量 (Number)		
					三线 three-thread	四线 four-thread	五线 five-thread
1	301779	----	798TD I 机壳 (喷漆)	machine frame	1	1	1
2	2073301200	----	直驱电机	Direct Drive motor	1	1	1
	2073301400	----	直驱电机	Direct Drive motor	1	1 (M04)	1 (H)
3	20711028	----	电机罩	Cover	1	1	1
4	S01084	----	螺钉M6×30	Screw	3	3	3
5	2013001000	----	LED灯组件	LED ASSY	1	1	1
6	20711210	----	R型线夹	R thread clamp	2	2	2
7	S01010	----	螺钉	Screw	3	3	2



### 三十一、随机附件部分 Accessories Assemblies

序号 Ref. No	公司件号Part No	参考件号 Ref. Part No.	名称	Description	数量 (Number)		
					三线	四线	五线
					Three-thread	Four-thread	Five-thread
1	20731047	----	螺丝刀 (大)	----	1	1	1
2	10131003	KY15	螺丝刀 (中)	Screwdriver (M)	1	1	1
3	10131004	KY14	螺丝刀 (小)	Screwdriver (S)	1	1	1
4	20131044	----	直柄内六角螺丝刀 (1.5mm)	Hexagonal wrench/1.5mm	1	1	1
-	----	----	----	----	-	-	-
6	20731048	KY02	油壶	Oil container	1	1	1
7	20131048	KY03	小油壶 (尖嘴)	Oil container	2	2	2
-	----	----	----	----	-	-	-
9	20131051	KY18	镊子 (JACK)	Tweezers	1	1	1
10	20131043	KY09	JK795-1908扳手 (8mm)	Wrench/8mm	1	1	1
-	---	--	----	----	-	-	-
-	---	--	----	----	-	-	-
13	20131046	KY10	内六角扳手 (2mm)	Hexagonal wrench/2mm	1	1	1
14	30131012	KY11	内六角扳手 (3mm)	Hexagonal wrench/4mm	1	1	1
15	20131056	KY13	内六角扳手 (5mm)	Hexagonal wrench/6mm	1	1	1
--	----	----	----	----	-	-	-
17	20131054	KY21-A	JK795-1919脚踏板链	Chain	1	1	1
18	S10005	SK216	螺钉	Screw	4	4	4
19	见标准零件表	----	机针	Needle	4	4	4
20	20130089	----	塑壳调速器	----	1	1	1
21	20730335	----	拉杆	----	1	1	1
22	20131052	----	线勾	Needle threader	0	0	1
23	20730027	----	直驱控制器	Controller	-	-	-
24	20131047	KY12	内六角扳手 (4mm)	Hexagonal wrench/5mm	1	1	1
25	121131002	KY01	机头罩	Machine head cover	1	1	1
26	20131055	----	附件盒	Attachment box	1	1	1
27	20131062	----	机头塑料袋	Plastic machine head bag	1	1	1



JK798T-5 标准度量零件表

JK798T-5 GAUGE PARTS LIST



机型 MACHINE TYPE /SPEC	间距 GAUGE		针板 NEEDLE PLATE	主送齿组件 MAIN FEED DOG ASSM.	主送齿 MAIN FEED DOG	辅送齿 AUX. FEED DOG	差动齿 DIFF. FEED DOG	压脚组件 PRESSER FOOT ASSM.	上弯针 UPPER LOOPER	下弯针 LOWER LOOPER	链线弯针 CHAIN STITCH LOOPER	上差动齿 TOP FEED DOG
	NG	SW										
JK-798TDI-5-516-03/233	5	5	20715016	2071401700	---	---	---	2081600700	20717004	20717006	20712047	20814015
JK-798TDI-5-516-03/333	3	4	20715008	2071400400	---	---	---	2080101400	20717004	20717006	20712047	20814001
JK-798TDI-5-516-03/333/H	3	4	20815006	2081400400	---	---	---	2080101400	20717007	20717006	20712047	20814028
JK-798TDI-5-516-A04/435	5	6	20715050	2071405200	---	---	---	2081600600	20717050	20717006	20717051	20814019



机型 MACHINE TYPE /SPEC	间距 GAUGE		上刀 UPPER KNIFE		下刀 LOWER KNIFE	护针 OVERLOCK NEEDLE GUARD		护针 CHAIN STITCH GUARD		针夹头 NEEDLE HOLDER	针 NEEDLE
			平刀 FLAT NIFE	角刀 ANGLED KNIFE		前 FRONT	后 READ	前 FRONT	后 READ		
	NG	SW									
JK-798TDI-5-516-03/233	5	5	20719007	----	21317002	20717008	20717002	20712045	20701032	20734004	DC×27 #14
JK-798TDI-5-516-03/333	3	4	20719007	----	21317002	20717008	20717002	20712045	20701032	20734003	DC×27 #14
JK-798TDI-5-516-03/333/H	3	4	20619009	----	20701053	20717008	20717002	20712045	20701032	20734003	DC×27 #14
JK-798TDI-5-516-A04/435	5	6	----	20719050	20701053	20717008	20717002	20712045	20701032	20734004	DC×27 #19



杰克缝纫机  
全球销量遥遥领先  
Leading in global sales

400-8876-858  
www.chinajack.com



JACK SEWING MACHINE CO.,LTD.

20) ' 年' ) 月 Edition:February,2020

杰克缝纫机股份有限公司

中国浙江省台州市椒江区三甲东海大道东段1008号

电话 :0086-576-88177788 88177789

传真 :0086-576-88177758

产品标准代号 : Q/TK 007-2017

资料如有更改,恕不另行通知,以实样为准

JACK SEWING MACHINE CO.,LTD.

NO.1008,DONGHAI AVENUE EAST,JIAOJIANG DISTRICT,TAIZHOU CITY , ZHEJIANG

TEL: 0086-576-88177782 88177767 E-mail: sales@chinajack.com

FAX: 0086-576-88177787

www.chinajack.com

Standard code of the products:Q/TK 007-2017

You will be not informed if the file has been revised. Please set sample as standard.