

JACK

快速服务100%

包缝机 Overlock Sewing Machine

C7系列 C7 Series

产品使用说明书 Product Users' Manual

使用说明和零件样本下载地址：
PLEASE DOWN LOAD THE MANUAL AND SPARE PARTS FROM THE FOLLOWING WEBSITE:
POR FAVOR DESCARGAR EL MANUAL Y LIBRO DE PARTES Y REPUESTOS LO SIGUIENTE EN SITIO WEB:
Пожалуйста, загрузите руководство и каталог запасных частей на веб-сайте:
HTTP://download.chinajack.com

产品标准代号: QB/T1515-2005
Standard code of the products: QB/T1515-2005

杰克缝纫机
JACK SEWING MACHINE

HTTP://WWW.CHINAJACK.COM

杰克科技股份有限公司
JACK TECHNOLOGY CO.,LTD

- 公司地址(Address of Company):
中国浙江省台州市椒江区三甲东大道东段1008号
NO.1008, DONGHAI AVENUE EAST, JIAOJIANG DISTRICT, TAIZHOU CITY, ZHEJIANG
邮编(Zip Code): 318000
- 国内销售部(Domestic Trade Department):
电话(TEL): 0086-0576-88177780 88177789
传真(FAX): 0086-0576-88177758
- 国贸部(International Trade Department):
电话(TEL): 0086-0576-88177782 88177774
传真(FAX): 0086-0576-88177787
- 免费售后服务电话: 400-8876858
HTTP://www.chinajack.com
- 资料如有更改,恕不另行通知,以实物为准。
You will be not informed if the file has been revised.
Please set sample as standard.



请您扫下杰克服务号

为了安全

对于缝纫机本身各种装置,我们充分考虑到它的安全性。请遵照基本的操作方法,安全的进行工作。

●拆除为保证安全所设置的装置、零件的情况下使用,是非常危险的,请绝对不要拆除后使用。

●缝纫机在使用时,请不要在缝纫机台板上放置工具及缝纫时不必要的物品。

●对缝纫机进行检修、调节、清扫、穿线、换针等工作时,为防止发生事故,务必请切断电源,在确认即使踩下缝纫机踏板,缝纫机也不转动后,再进行操作。

OBSERVE THESE SAFETY PRECAUTIONS

Though our takes the utmost care to produce safe sewing machines and devices, operators should follow these basic safety rules.

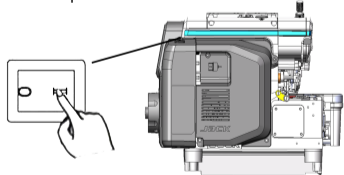
●To prevent accidents, do not remove safety devices or parts while operating the machine.

●Do not leave tools or other unnecessary objects on the machine table while operating the machine.

●Before maintenance, adjusting, cleaning, threading or replacing the needle, and to prevent accidents, be sure the power is turned off. Check that the machine will not operate when the pedal is pressed.

下图为电源开关

Chart is the power switch.



给HR装置供油

Filling the HR device with silicon oil

为防止断线,尽早给HR装置供油。
注:关于购买硅油,请询问代理商或联系公司营运部。

Fill the HR device with oil before it is too low

in order to prevent needle thread breakage and fabric damage.

Note: Regarding the purchase of silicone oil, please ask the agency or contact the company's sales department.

●在离开缝纫机台时,务必请关掉电源。

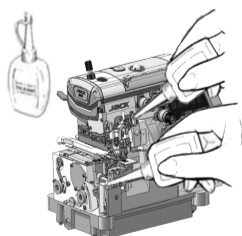
●停电时也请务必关掉电源。

●为了总是安全地运转,良好的使用缝纫机,日常的点检是不可缺少的,请予以注意。

●Turn the power off before leaving the machine table.

●In the event of a power failure, be sure to turn the machine off.

●Check that the machine is securely important.

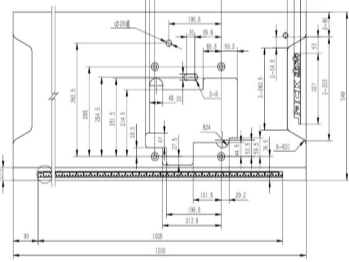


台板加工图

Schematic diagram of the machine table

请参照下图进行台板的加工

Cut the table referring to the diagram



供油 Lubrication

加油量是使油面处于H线与L线之间为好。当油面低于L线时,就要及时补充机油。

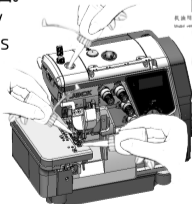
After filling the oil pan, the top of the indicator should lie between (H) and (L) lines. Add oil, when the oil level indicator reaches or goes below (L).



手动给油 Manual lubrication

手动给油是在缝纫机最初开始使用时或相当一段时间没使用了时,请供给2~3滴油。

Apply 2 or 3 drop of oil by hand when the machine is used for first time or has been left unused for some time.



●在离开缝纫机台时,务必请关掉电源。

●停电时也请务必关掉电源。

●为了总是安全地运转,良好的使用缝纫机,日常的点检是不可缺少的,请予以注意。

●Turn the power off before leaving the machine table.

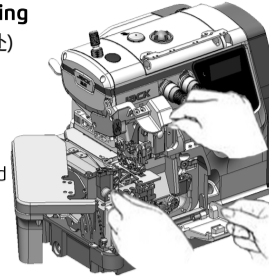
●In the event of a power failure, be sure to turn the machine off.

●Check that the machine is securely important.

穿线的方法 Threading

打开压脚杆及机盖(三处)

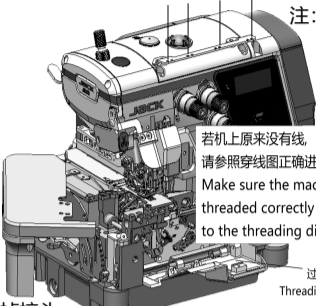
Open three cover. Put the presser foot aside.把机上原有的线与缝线用线绑在一起。Knot the preset thread and the thread being used together to thread the machine.



针线

将线拉到针眼前,剪掉

结头再次穿好针线。Needle thread Trim the knots off neatly before passing through the eye of the needle to rethread.



弯针线

线拉出接头后用剪刀剪掉接头

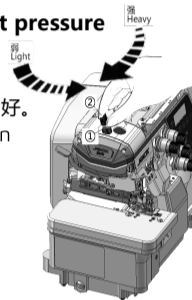
Looper thread Trim the knots off neatly after passing through the eye of the looper.

压脚压力的调节

Adjusting the presser foot pressure

压脚压力的调节,松动螺母①,调节螺母②,在送布得到稳定状态下尽可能使用较弱的压力为好。

Loosen adjusting nut ① and turn adjusting nut ② to adjust the presser foot pressure. It should be as light as possible yet be sufficient to obtain the proper stitch formation.

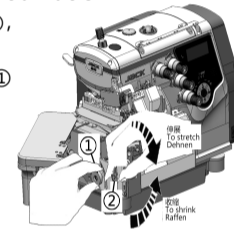


差动比的调节

Adjusting the differential ratio

差动比的调节,松开螺母①,调节差动扳手②。

Loosen the adjusting nut ① and turn the adjusting ② to adjust the differential feed ratio.



针脚长度的调节

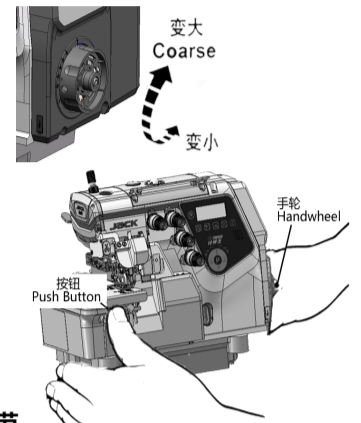
Adjusting the stitch length

1、按住按钮,旋转手轮,按钮会陷进更深处。
2、这时边按住按钮,边转动手轮,使校准标记号对准希望的数值。

While pressing the push button, turn the handwheel to seek the position at which the push button goes further into the depth.

Then, keeping the push button pressed, turn the handwheel and set the desired scale to the aligning mark.

注:针脚长度的调节务必请在调节差动比之后进行。

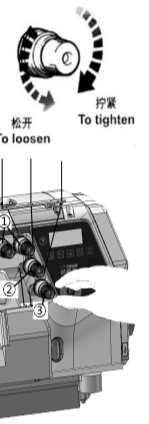


线状态的调节

Adjusting the thread tension

线张力状态的调节,请用针线调节螺母①,上弯针线调节螺母②,下弯针线调节螺母③。

Make tension adjustments with the needle thread knob ①, the upper looper knob ② and the lower looper knob ③.



换针 Replacing the needle

准确辨认针的前后,请将针凹向朝后方,即背向操作者进行安装。针要牢固的插到孔的最深处。

Check the needle carefully to see that the scarf is turned to the rear of the machine. Insert the needle to the proper depth, and fasten securely.

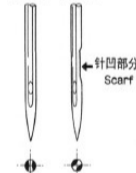
标准使用针:风琴DC×27

安全、包缝系列:风琴DC×5

Standard needle: Organ DC×27

5200H(3200H) series: Organ DC×5

OK! NO!



检查机油的循环

Checking the oil circulation

检查油质量,更换油
Checking and replacing the oil filter

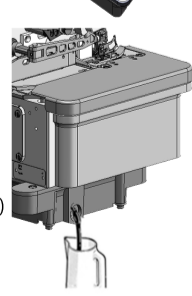
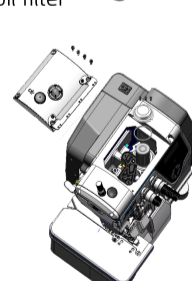
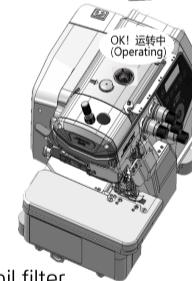
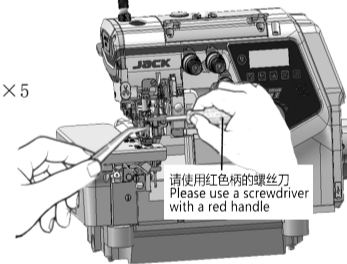
机油每6个月检查并更换。

Check and replace the oil filter every six months.

换机油 Replacing the oil

机油的更换,请在使用开始一个月后更换一次,然后每6个月更换一次。供油请参见第2页。

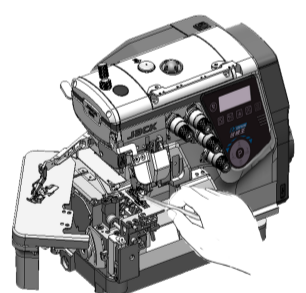
Replacing the oil one month after the first use and every six months thereafter. (See p2.)



缝纫机的清扫

Cleaning the machine

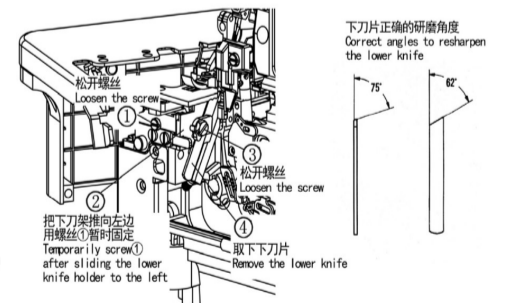
缝纫机的清扫,以针板槽及送布牙周围为主。Mainly the slots of the needle plate and the feed rows should be cleaned.



下刀片的更换

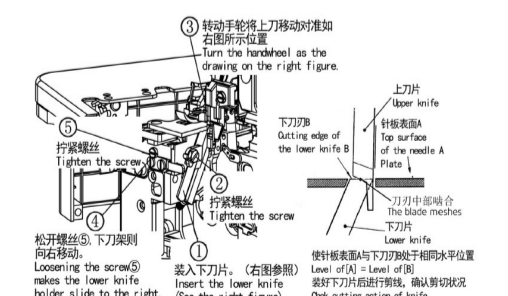
Replacing the lower knife

卸下下刀片
To remove the lower knife



安装下刀片

To replace the lower knife



C7-3/4调整基准表											
机型	机针高度	下弯针引量	上弯针				二重环弯针引量	牙齿			
			出量	高度	弯针架左右位置	上弯针座安装方向		送齿倾斜度	送齿高度	辅助送齿段差	送布偏心量
Subclass	Needle height	Lower looper needle setting distance	Upper looper needle setting distance	Upper looper needle height	Looper holder position of the left and right	Upper looper bracket installation direction	Double chasinstitch looper needle setting distance	Feed dog gradient	Feed dog height	Auxillary feed dog height	Feeding eccentricity
C7-02X250	10.5	----	----	----	----	----	1.9	针板上面水平	1.35	0.5	0.35-2
C7-3-02/233	10.5	3.8	4.4-4.7	10.8	14.5	左	----	针板上面水平	1.35	0.5	0.35-2
C7-3-32R/233	10.5	3.8	4.4-4.7	10.8	14.5	左	----	针板上面水平	1.35	0.3	0.35-1.7
C7WF-3-02/213	11.5	3.8	4.0-4.4	10.5	14.5	左	----	针板上面水平	1.35	0.5	----
C7MT-4-53/233	10.5	3.8	5.4-5.7	10.5	13.5	右	----	针板上面水平	1.35	0.3	0.35-2
C7-4-M03/333	11.3	3.8	4.7-5	11	13.5	左	----	针板上面水平	1.35	0.5	0.35-2

C7-5/6调整基准表											
机型	机针高度	下弯针引量	上弯针				二重环弯针引量	牙齿			
			出量	高度	弯针架左右位置	上弯针座安装方向		送齿倾斜度	送齿高度	辅助送齿段差	送布偏心量
Subclass	Needle height	Lower looper needle setting distance	Upper looper needle setting distance	Upper looper needle height	Looper holder position of the left and right	Upper looper bracket installation direction	Double chasinstitch looper needle setting distance	Feed dog gradient	Feed dog height	Auxillary feed dog height	Feeding eccentricity
C7-5-53/233	10.5	3.8	4.4-4.7	10.8	14.5	左	1.9	针板上面水平	1.35	0.3	0.35-2
C7-5-03/233	10.5	3.8	4.4-4.7	10.8	14.5	左	1.9	针板上面水平	1.35	0.5	0.35-2
C7-5-03/333	10.5	3.8	4.4-4.7	10.8	14.5	左	1.9	针板上面水平	1.35	0.5	0.35-2
C7-5-M04/435	11.9	4.2	4.4-4.7	12	14.5	左	2.3	针板上面水平	1.35	0.5	0.35-2
C7-6-03/333	10.5	3.8	5.4-5.7	10.5	14.5	左	1.9	针板上面水平	1.35	0.5	0.35-2

环保要求

Environmental requirements

- 使用过程中产生的废油及其他废弃物请根据当地环保的要求进行合理的处置。
Please dispose the waste oil and other waste products properly according to local environmental protection requirements.
- 请在使用后及时关闭电源，减少电能的消耗。
Please turn off the power after use to reduce power consumption.
- 请在说明书要求的电压及环境下使用，已延长产品的使用寿命，减少废弃物的产生。
Please use under the voltage and environment required in the manual to extend the service life of the product and reduce waste generation.
- 机器报废后请勿将本机器及其附件作为普通的生活垃圾处理。请遵守本设备及其附件处理的本地法令，并支持回收行动。
Do not treat the machine and its accessories as ordinary household garbage after being scrapped. Please comply with local laws governing the disposal of the equipment and its accessories and support recycling operations.

工业缝纫机安全使用注意事项

Notes for safe use of industrial sewing machines

- 必须遵守基本措施；
Basic measures must be observed.
- 必须经过专业培训，掌握缝纫机设备性能；
Pass the specialized training and master sewing machine equipment performance.
- 使用前应检查所有安全装置；
All safety devices should be checked before use.
- 在安装机针、更换机针、压脚、针板、送布牙、弯针、旋梭或修理时，应立即关闭电源；
When installing needle, and changing needle, presser foot, plate, feed dog, bent needle, hook or repairing, the power supply should be turned off immediately.
- 离开缝纫机或工作场所时应关闭电源；
Power should be turned off when leaving the sewing machine or workplace.
- 使用离合马达时，要等待马达完全停止后再进行；
When using the clutch motor, please wait until the motor stops completely.
- 缝纫机及附属装置使用的机油，润滑油等液体流入眼睛或沾到皮肤上应立即清洗；
The machine oil and other liquids used in sewing machines and ancillary devices should be cleaned immediately when they are put into eyes or touch skin.
- 禁止用手触摸缝纫机通电时的零件或装置；
Do not touch the parts or devices when the machine is powered by hand.
- 有关工业用平缝机与包缝机的修理、改造、主要机构的调整由专门技术人员来进行；
The repair, renovation and adjustment of the main mechanisms of the relevant industrial sewing machines and overseers shall be carried out by specialized technicians.
- 一般的维修保养由专人进行；
General maintenance is carried out by specially-assigned persons.
- 在电气方面的修理应在电气技术员的监督和指导下进行；
Electrical repairs should be performed under the supervision and direction of the electrical technician.
- 缝纫机使用期间应定期清扫；
The machine should be cleaned regularly during operation.
- 为了正常安全运转，应安装地线，同时应在不受高频焊接机等强噪声源影响的环境下使用；
In order to operate normally and safely, ground lines should be installed, and they should be used in an environment free from strong noise sources such as high frequency welding machine.
- 电源插头应由专人安装；
Power plug should be installed by specially-assigned person.
- 工业用平缝机、包缝机在指定用途以外不能使用。
Industrial lockstitch sewing machine and overlock sewing machine can not be used except the designated use.