

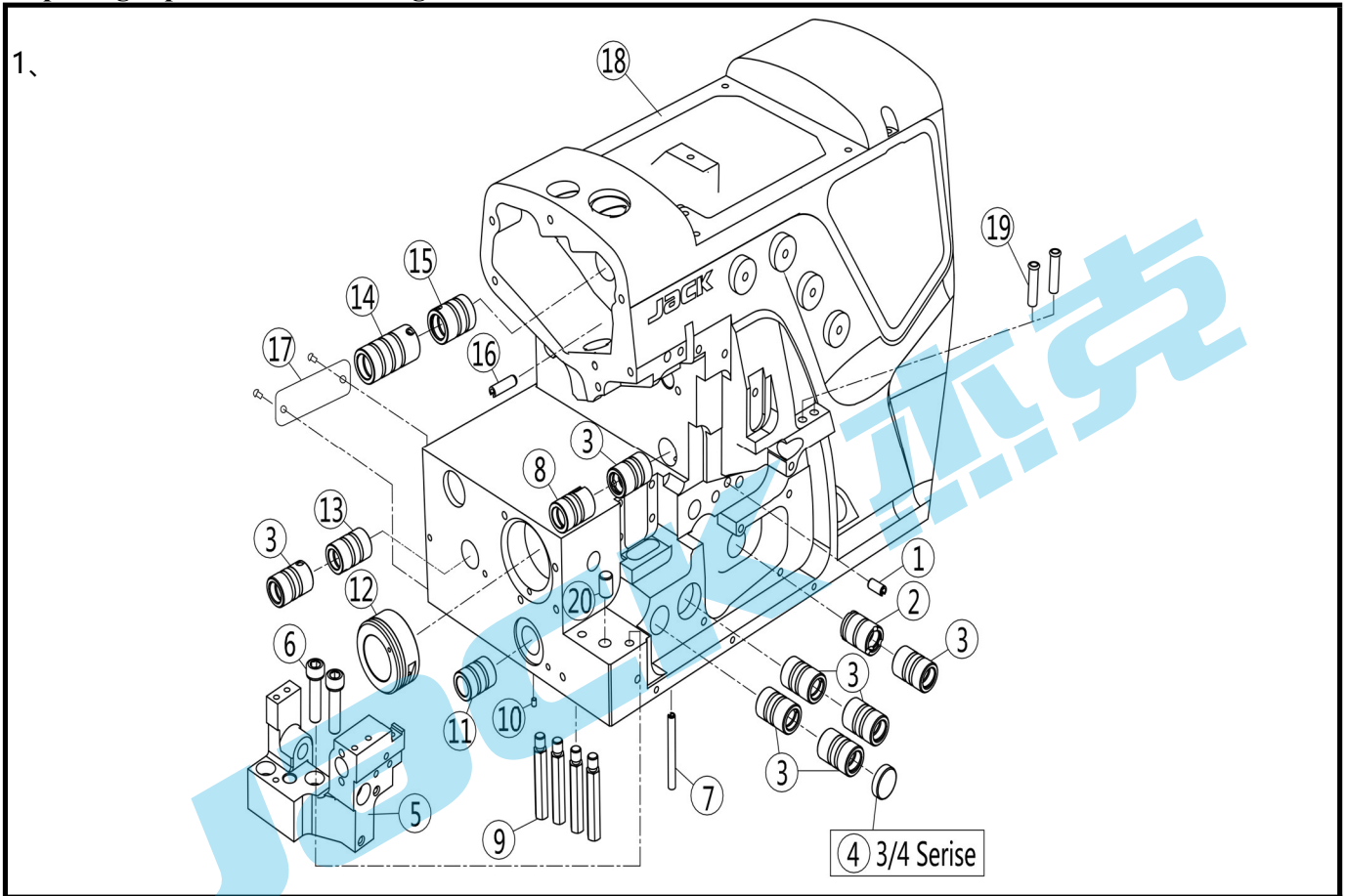
快速服务 100%

C4超高速包缝机

Super high speed overlock sewing machine

零件手册

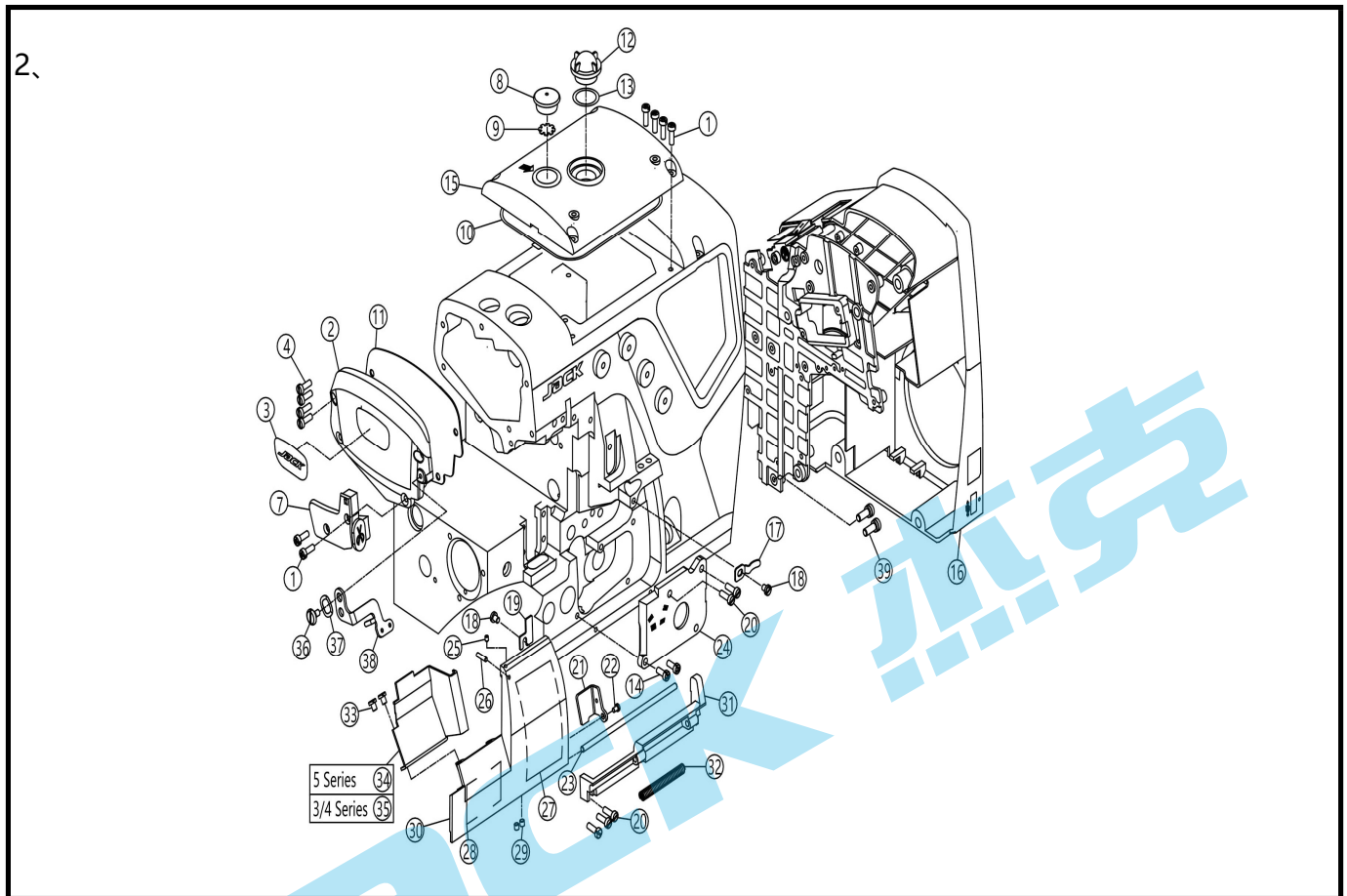
Parts Manual



一、机壳部件/Machine Bed Frame

| 序号 NO. | 公司件号 Part NO. | 名称 PartName | 零件描述 Description | 数量 (Number) | | |
|--------|------------------|---------------|------------------|------------------------|-----------------------|-----------------------|
| | | | | 三线 three- thread | 四线 four- thread | 五线 five- thread |
| 1 | P03017 | 弹性圆柱销5×10 | Pin | 1 | 1 | 1 |
| 2 | 20703006 | 上弯针后轴套 | Sleeve | 1 | 1 | 1 |
| 3 | 20703009 | 上刀轴右套 | Sleeve | 5 | 5 | 7 |
| 4 | 20628023 | 送料轴油封 | Plug | 1 | 1 | 0 |
| 5 | 121101017 | 下刀座 | Bracket Assembly | 1 | 1 | 1 |
| 6 | 207S13003 | 内六角圆柱头螺钉M6×25 | Screw | 2 | 2 | 2 |
| 7 | P03018 | 弹性圆柱销4×40 | Pin | 1 | 1 | 1 |
| 8 | 20703004 | 上刀轴左套 | Sleeve | 1 | 1 | 1 |
| 9 | 206S30001 | 支柱 | Bed pin | 4 | 4 | 4 |
| 10 | 20126001 | 工艺孔销 | Pin | 1 | 1 | 1 |
| 11 | 20703008 | 差动轴套 | Sleeve | 1 | 1 | 1 |
| 12 | 20703007 | 主轴套筒 | Sleeve | 1 | 1 | 1 |
| 13 | 20703003 | 送布右轴套 | Sleeve | 1 | 1 | 1 |
| 14 | 20703002 | 上轴左套 | Sleeve | 1 | 1 | 1 |

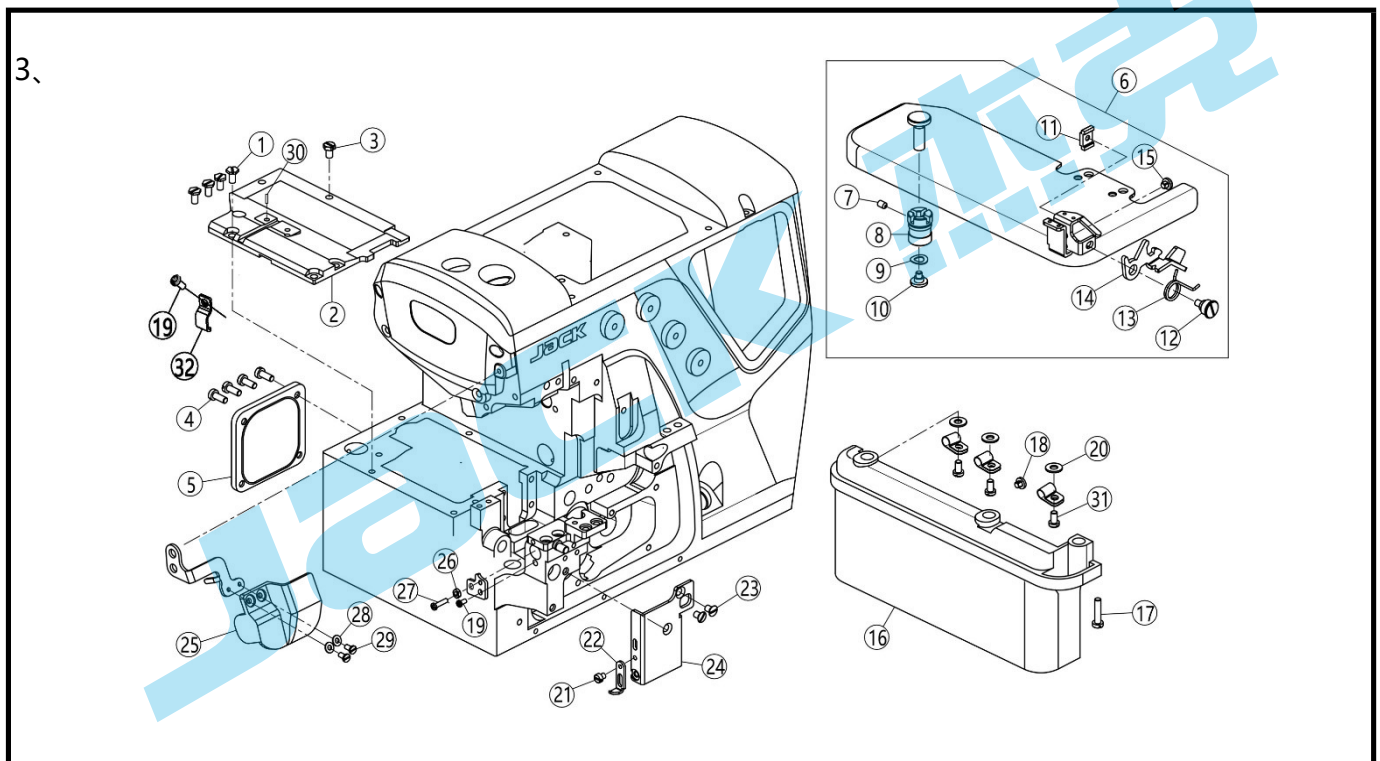
| | | | | | | |
|----|----------|-----------|----------------------|---|---|---|
| 15 | 20703001 | 上轴右套 | Sleeve | 1 | 1 | 1 |
| 16 | P03010 | 弹性圆柱销5×16 | Pin | 1 | 1 | 1 |
| 17 | 13837003 | 型号牌 | Machine Model Plate | 1 | 1 | 1 |
| 18 | 305007 | 机壳 (喷漆) | Machine Bed Complete | 1 | 1 | 1 |
| 19 | 20713027 | 过线管 | Pipe | 2 | 2 | 2 |
| 20 | 20726018 | 下刀座定位销 | Pin | 1 | 1 | 1 |



二、机壳机罩部件(1)/Cover(1)

| 序号 NO. | 公司件号 Part NO. | 名称 PartName | 零件描述 Description | 数量 (Number) | | |
|--------|------------------|---------------|-----------------------|------------------|-----------------|-----------------|
| | | | | 三线 | 四线 | 五线 |
| | | | | three- thread | four- thread | five- thread |
| 1 | S04019 | 十字槽盘头螺钉M4×12 | Screw | 6 | 6 | 6 |
| 2 | 302781 | 侧盖 (喷漆) | Side Cover | 1 | 1 | 1 |
| 3 | 13837002 | 商标牌 | Machine model plate | 1 | 1 | 1 |
| 4 | S04060 | 十字槽盘头螺钉M4×10 | Screw | 4 | 4 | 4 |
| 7 | 12111104300 | 剪线开关组件(剪线罩壳) | Trimmer switch sensor | 1 | 1 | 1 |
| 8 | 21022007 | 油封 | Oil seal | 1 | 1 | 1 |
| 9 | 21012018 | 油封垫 | Oil seal washer | 1 | 1 | 1 |
| 10 | 21122001 | 上盖油封 | Gasket | 1 | 1 | 1 |
| 11 | 21122004 | 侧盖密封垫 | Gasket | 1 | 1 | 1 |
| 12 | 20711055 | 油标盖 | Oil sight window | 1 | 1 | 1 |
| 13 | 21022003 | 油窗垫 | Washer | 1 | 1 | 1 |
| 14 | S04060 | 十字槽盘头螺钉M4×10 | Screw | 2 | 2 | 2 |
| 15 | 302706 | 上盖 (喷漆) | Top Cover | 1 | 1 | 1 |
| 16 | 21130004 | 包缝一体式控制器(T19) | Controller | 1 | 1 | 1 |
| 17 | 20612004 | 前罩板卡簧 | Flat Spring | 1 | 1 | 1 |
| 18 | 207S11011 | 开槽圆柱头螺钉M4×5 | Screw | 2 | 2 | 2 |
| 19 | 20712003 | 锁紧板 | Latch | 1 | 1 | 1 |
| 20 | 207S11008 | 开槽圆柱头螺钉M4×12 | Screw | 5 | 5 | 5 |

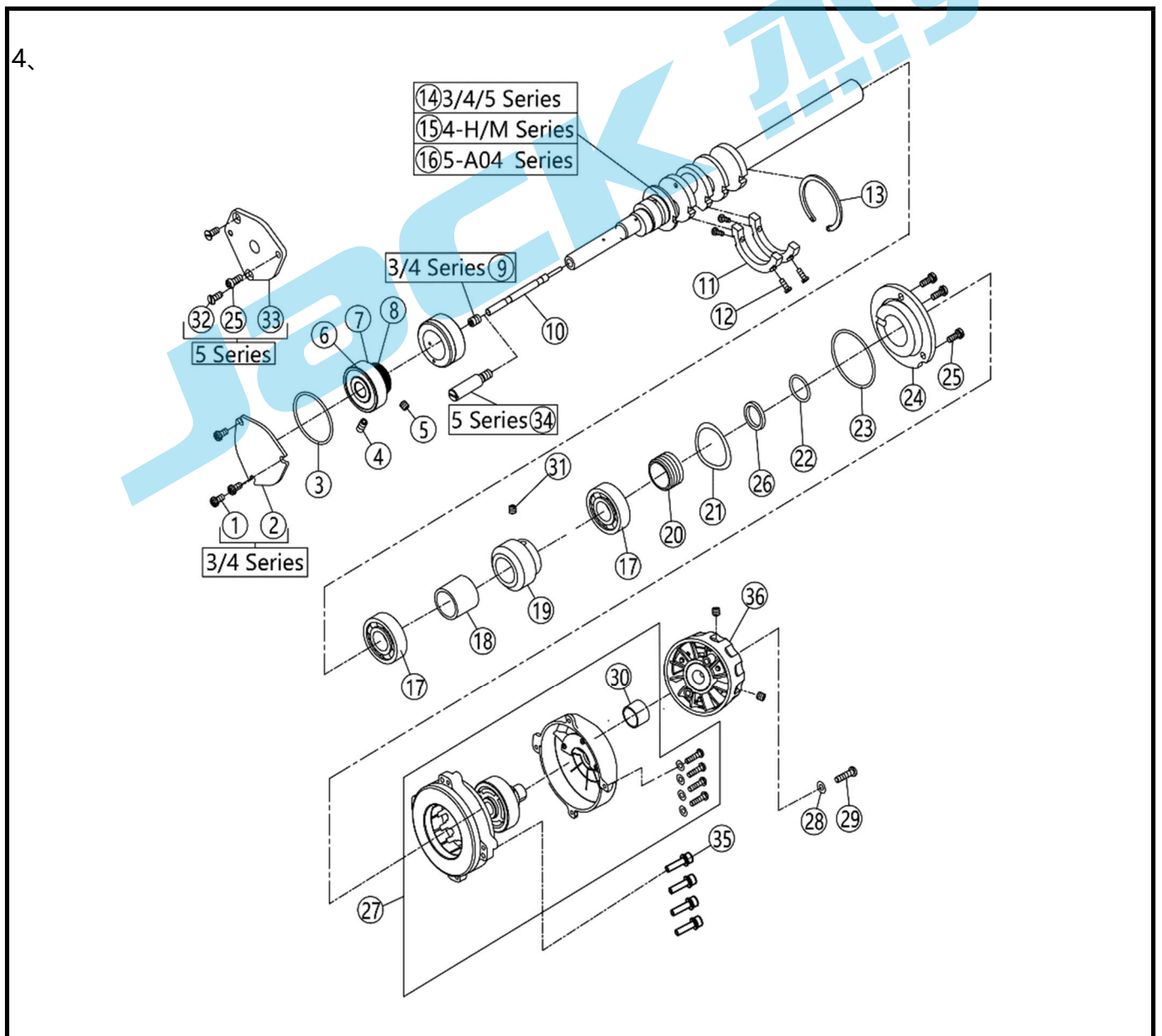
| | | | | | | |
|----|-----------|-----------------|--------------------|---|---|---|
| 21 | 20712002 | 锁紧板 | Latch | 1 | 1 | 1 |
| 22 | 413S11011 | 开槽圆柱头螺钉M3×5 | Screw | 1 | 1 | 1 |
| 23 | 20626001 | 铰链销 | Pin | 1 | 1 | 1 |
| 24 | 20712005 | 前盖板 | Side Cover | 1 | 1 | 1 |
| 25 | 207S14003 | 内六角尖端紧定螺钉M3×4 | Screw | 1 | 1 | 1 |
| 26 | 207S14002 | 内六角螺钉M3×12 | Screw | 1 | 1 | 1 |
| 27 | xxxxxxx | 穿线图 | Threading diagram | 1 | 1 | 1 |
| 28 | xxxxxxx | 穿线图 | Threading diagram | 0 | 0 | 1 |
| 29 | S10007 | 内六角凹端紧定螺钉M4×4 | Screw | 2 | 2 | 2 |
| 30 | 302780 | 右前盖 (喷漆) | Front Cover(right) | 1 | 1 | 1 |
| 31 | 20701006 | 铰链 | Hinge | 1 | 1 | 1 |
| 32 | 20627001 | 铰链销弹簧 | Spring | 1 | 1 | 1 |
| 33 | 207S11011 | 开槽圆柱头螺钉M4×5 | Screw | 2 | 2 | 2 |
| 34 | 21112011 | 左前盖 | Front Cover(left) | 0 | 0 | 1 |
| 35 | 21112009 | 左前盖 | Front Cover(left) | 1 | 1 | 0 |
| 36 | 207s20002 | 开槽圆柱头轴位螺钉M4×5.5 | Screw | 1 | 1 | 1 |
| 37 | 20128015 | 波形垫片 | Washer | 1 | 1 | 1 |
| 38 | 121101053 | 剪线开关扳手 | Lever | 1 | 1 | 1 |
| 39 | 207S13009 | 内六角圆柱头螺钉M5X12 | Screw | 2 | 2 | 2 |



三、机壳机罩部件(2)/Cover(2)

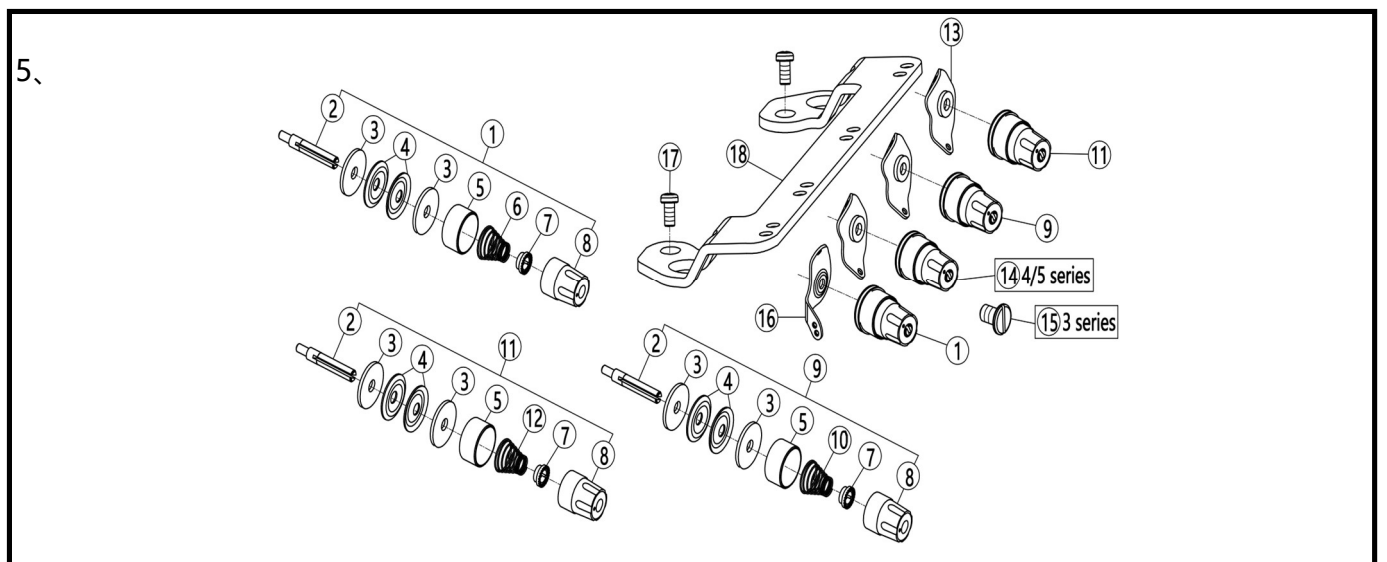
| 序号 NO. | 公司件号 Part NO. | 名称 PartName | 零件描述 Description | 数量 (Number) | | |
|--------|------------------|-----------------|----------------------|------------------|-----------------|-----------------|
| | | | | 三线 | 四线 | 五线 |
| | | | | three- thread | four- thread | five- thread |
| 1 | 207S12001 | 开槽六角头螺钉M4×8 | Screw | 4 | 4 | 4 |
| 2 | 21101027 | 左上盖 | Bed Cover Plate Assy | 1 | 1 | 1 |
| 3 | L02003 | 开槽六角头螺栓M4×7 | Screw | 1 | 1 | 1 |
| 4 | S04060 | 十字槽圆柱头螺钉M4×10 | Screw | 4 | 4 | 4 |
| 5 | 2111202100 | 后窗板组件 | Cover Plate | 1 | 1 | 1 |
| 6 | 12111201800 | 缝台组件(粉末) | Cloth Plate | 1 | 1 | 1 |
| 7 | 207S14007 | 内六角凹端紧定螺钉M4×6 | Screw | 1 | 1 | 1 |
| 8 | 20603016 | 缝台套筒 | Bushing | 1 | 1 | 1 |
| 9 | 20628022 | 垫圈 | Washer | 1 | 1 | 1 |
| 10 | 206S20004 | 开槽圆柱头轴位螺钉M4×3.7 | Screw | 1 | 1 | 1 |

| | | | | | | |
|----|-----------|------------------|------------------|-------|-------|-------|
| 11 | 20612019 | 缝台卡簧固定板 | Bracket | 1 | 1 | 1 |
| 12 | 206S20006 | 缝台扭簧固定轴位螺钉M4×5.5 | Screw | 1 | 1 | 1 |
| 13 | 20627003 | 缝台扭簧 | Spring | 1 | 1 | 1 |
| 14 | 20627002 | 缝台簧 | Lever | 1 | 1 | 1 |
| 15 | 121222001 | 减震垫 | Cushion Rubber | 1 | 1 | 1 |
| 16 | 121111063 | 缝台裙子 (新颜色) | Side Cover(Wide) | 1 | 1 | 1 |
| 17 | 207S11013 | 开槽圆柱头螺钉M4×17.5 | Screw | 1 | 1 | 1 |
| 18 | 20622003 | 减震垫 | Cushion Rubber | 1 | 1 | 1 |
| 19 | 207S11007 | 十字槽圆柱头螺钉M4×7.5 | Screw | 2 | 2 | 2 |
| 20 | W01006 | 垫片 | Washer | 3 | 3 | 3 |
| 21 | 207S11014 | 开槽圆柱头螺钉M3.5×4.5 | Screw | 1 | 1 | 1 |
| 22 | 20612016 | 下刀座前垫护板 | Latch | 1 | 1 | 1 |
| 23 | 207S17003 | 开槽半沉头螺钉M4×4.5 | Screw | 2 | 2 | 2 |
| 24 | 20712008 | 挡板 | Plate | 1 | 1 | 1 |
| 25 | 21111051 | 针杆防护罩 | Eye Guide | 1 | 1 | 1 |
| 26 | N01001 | 六角螺母M4 | Nut | 1 | 1 | 1 |
| 27 | S04019 | 十字槽盘头螺钉M4×12 | Screw | 1 | 1 | 1 |
| 28 | W01011 | 垫圈3 | Washer | 2 | 2 | 2 |
| 29 | 207S11015 | 开槽圆柱头螺钉M3×6 | Screw | 2 | 2 | 2 |
| 30 | 20523005 | 油线 | Oil wick | 0.015 | 0.015 | 0.015 |
| 31 | 403S11051 | 复合槽圆柱头螺钉M4×6 | Screw | 3 | 3 | 3 |
| 32 | 121112054 | 过线管压板 | Washer | 1 | 1 | 1 |



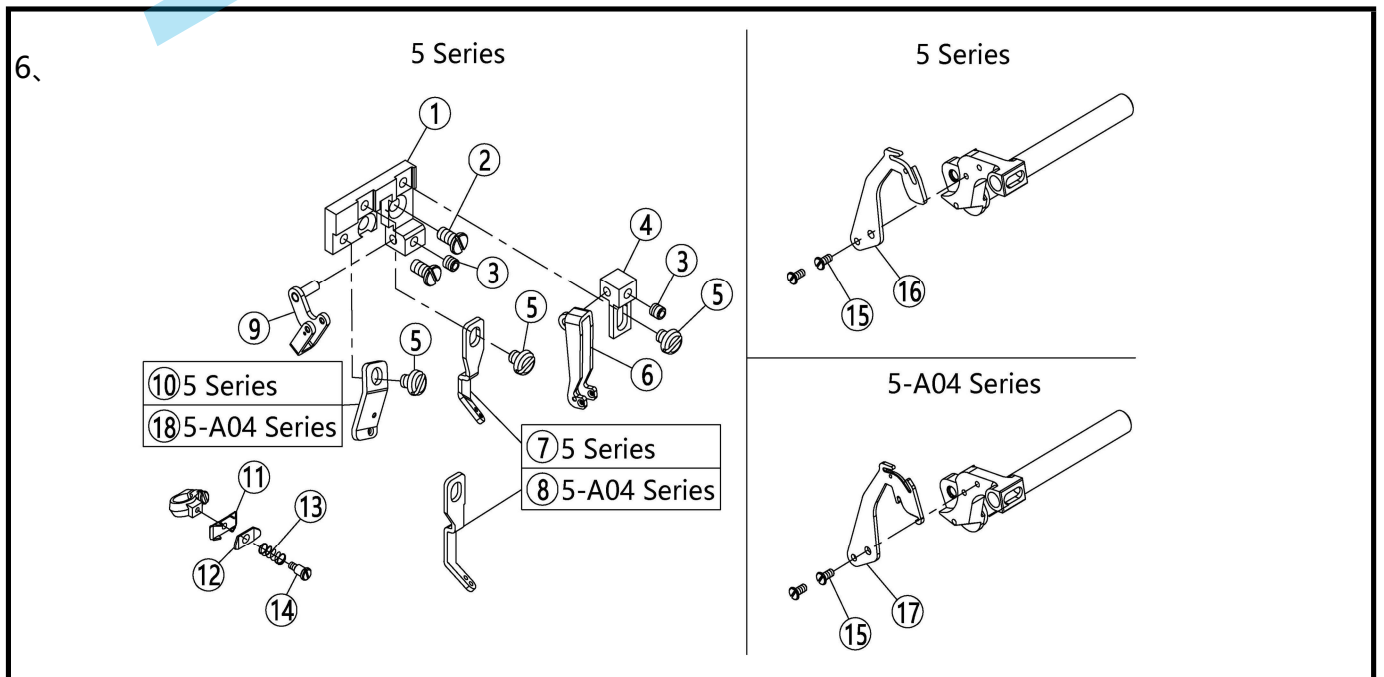
四、主轴部件/Crankshaft Drive Mechanism

| 序号 NO. | 公司件号 Part NO. | 名称 PartName | 零件描述 Description | 数量 (Number) | | |
|--------|------------------|----------------|--------------------|------------------|-----------------|-----------------|
| | | | | 三线 | 四线 | 五线 |
| | | | | three- thread | four- thread | five- thread |
| 1 | 207S11007 | 十字槽圆柱头螺钉M4×7.5 | Screw | 3 | 3 | 0 |
| 2 | 20712013 | 前轴承盖 | Cover | 1 | 1 | 0 |
| 3 | 20722027 | O型圈40×2 | O Ring | 1 | 1 | 1 |
| 4 | 207S11018 | 内六角凹端紧定螺钉M5×10 | Screw | 1 | 1 | 1 |
| 5 | 207S14012 | 内六角平端紧定螺钉M5×5 | Screw | 1 | 1 | 1 |
| 6 | O01037 | O型圈30×1.2 | O Ring | 2 | 2 | 2 |
| 7 | B04004 | 轴承6202LB | Ball Bearing | 1 | 1 | 1 |
| 8 | 20725001 | 棘轮 | Ratchet | 1 | 1 | 1 |
| 9 | 207S11047 | 堵油螺钉M6×7.5 | Screw | 1 | 1 | 0 |
| 10 | 20726002 | 销 | Pin | 1 | 1 | 1 |
| 11 | 20709035 | 平衡块 | Blance Weight | 2 | 2 | 2 |
| 12 | 207S11017 | 开槽圆柱头螺钉M3×8 | Screw | 4 | 4 | 4 |
| 13 | 20729001 | 卡簧 | Ring | 1 | 1 | 1 |
| 14 | 21102025 | 主轴 | Crankshaft | 1 | 1 | 1 |
| 15 | 21102026 | 主轴(四线适应性)(精密) | Crankshaft | 0 | 1 | 0 |
| 16 | 21102027 | 主轴(五线厚料)(精密) | Crankshaft | 0 | 0 | 1 |
| 17 | B01005 | 轴承6203Z | Ball Bearing | 2 | 2 | 2 |
| 18 | 121108006 | 轴套 | Spacer | 1 | 1 | 1 |
| 19 | 20725003 | 蜗杆 | Worm | 1 | 1 | 1 |
| 20 | 21203003 | 主轴中轴套 | Oil Seal | 1 | 1 | 1 |
| 21 | W03003 | 垫圈32 | Washer | 1 | 1 | 1 |
| 22 | 21222003 | O型密封圈 | O Ring | 1 | 1 | 1 |
| 23 | 20722027 | O型圈40×2 | O Ring | 1 | 1 | 1 |
| 24 | 20708015 | 轴承端盖 | Rigth Cover | 1 | 1 | 1 |
| 25 | S04060 | 十字槽盘头螺钉M4×10 | O Ring | 3 | 3 | 4 |
| 26 | 21228002 | 垫片 | Washer | 1 | 1 | 1 |
| 27 | 21111077 | 霍尔伺服电机 | Direct drive moter | 1 | 1 | 1 |
| 28 | W02004 | 弹簧垫圈6 | Washer | 1 | 1 | 1 |
| 29 | 207S13003 | 内六角圆柱头螺钉M6×25 | Screw | 1 | 1 | 1 |
| 30 | 21203004 | 主轴挡圈 | Sleeve | 1 | 1 | 1 |
| 31 | 207S14002 | S043内六角尖端紧定螺钉 | Screw | 1 | 1 | 1 |
| 32 | 207S17005 | 开槽沉头螺钉M4×8 | Screw | 0 | 0 | 2 |
| 33 | 20712046 | 前轴承盖 | Cover | 0 | 0 | 1 |
| 34 | 20602002 | 主轴接轴 | Pin | 0 | 0 | 1 |
| 35 | 951S15010 | 内六角圆柱头螺钉组件 | Screw | 4 | 4 | 4 |
| 36 | 930001394 | 手轮 | Handwheel | 1 | 1 | 1 |



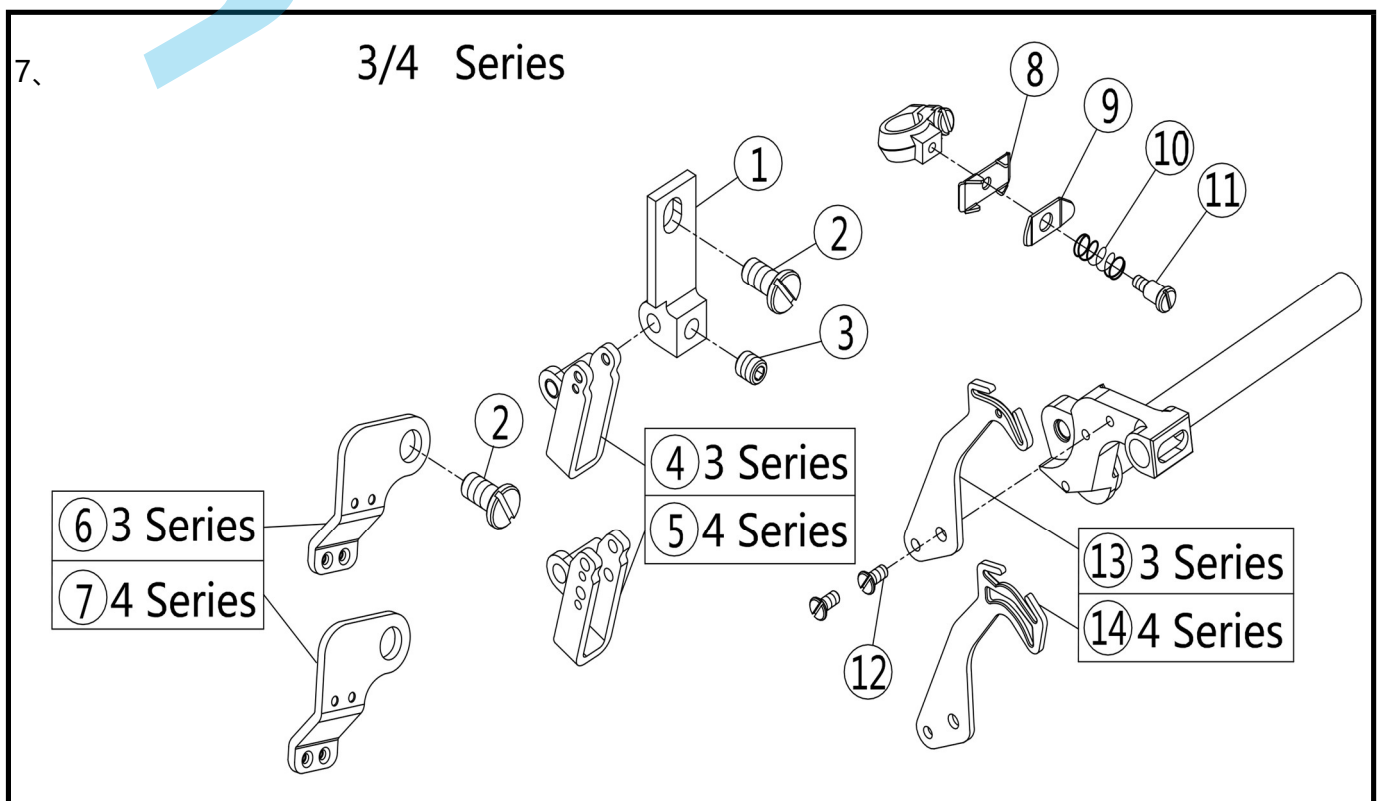
五、夹线部件/Thread Tension Mechanism

| 序号 NO. | 公司件号 Part NO. | 名称 PartName | 零件描述 Description | 数量 (Number) | | |
|--------|------------------|----------------|-------------------------|------------------|-----------------|-----------------|
| | | | | 三线 | 四线 | 五线 |
| | | | | three- thread | four- thread | five- thread |
| 1 | 2111300500 | 夹线器组件 (红点) | Tension Spring Assembly | 1 | 1 | 1 |
| 2 | 121113014 | 夹线杆 | Screw Stud | 3 | 4 | 4 |
| 3 | 20123018 | 羊毛垫 | Felt | 6 | 8 | 8 |
| 4 | 21311161 | 夹线片 | Tension Disc | 6 | 8 | 8 |
| 5 | 20111015 | 调压止动盖 | Cup | 3 | 4 | 4 |
| 6 | 20227001 | 夹线簧(粗) | Spring | 1 | 2 | 2 |
| 7 | 20111014 | 调压止动套 | Ratchet | 3 | 4 | 4 |
| 8 | 20101082 | 夹线器螺母 | Knob | 3 | 4 | 4 |
| 9 | 2111300600 | 夹线器组件 (蓝点) | Tension Spring Assembly | 1 | 1 | 1 |
| 10 | 20227002 | 夹线簧(细) | Spring | 1 | 1 | 1 |
| 11 | 2111300700 | 夹线器组件 (绿点) | Tension Spring Assembly | 1 | 1 | 1 |
| 12 | 20227003 | 夹线簧(中) | Spring | 1 | 1 | 1 |
| 13 | 121313001 | 过线板 | Tension Guide | 2 | 3 | 3 |
| 14 | 2111300800 | 夹线器组件 (黄点) | Tension Spring Assembly | 0 | 1 | 1 |
| 15 | 206S11005 | 螺钉SM11/64×40 | Screw | 1 | 0 | 0 |
| 16 | 121313010 | 过线片 | Thread Guide | 1 | 1 | 1 |
| 17 | 207S11007 | 十字槽圆柱头螺钉M4×7.5 | Screw | 2 | 2 | 2 |
| 18 | 21213011 | 上盖过线板 | Thread Guide | 1 | 1 | 1 |



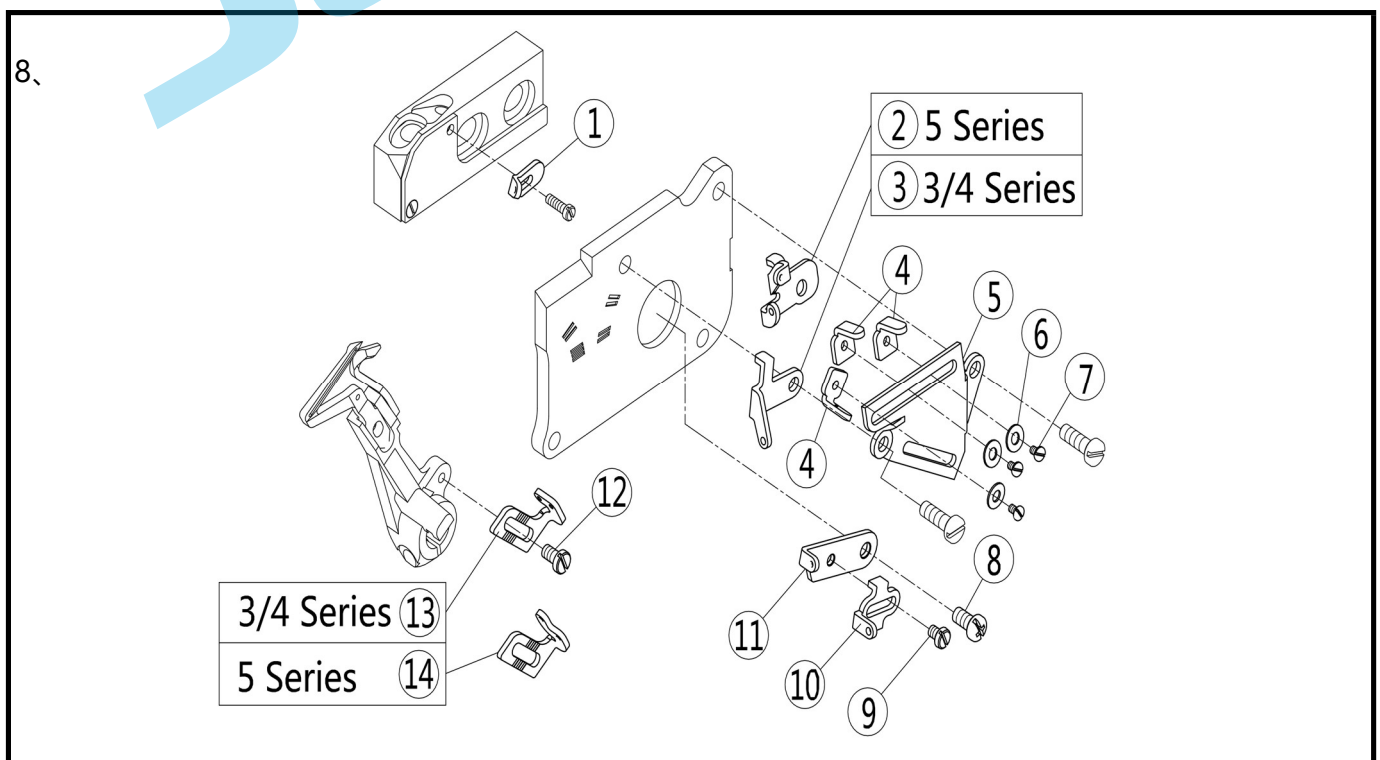
六、过线机构(1)/Thread Guide and Thread Takeup(1)

| 序号 NO. | 公司件号 Part NO. | 名称 PartName | 零件描述 Description | 数量 (Number) | | |
|--------|------------------|---------------|------------------|------------------|-----------------|-----------------|
| | | | | 三线 | 四线 | 五线 |
| | | | | three- thread | four- thread | five- thread |
| 1 | 21101012 | 托架 | Bracket | 0 | 0 | 1 |
| 2 | 207S11019 | 开槽圆柱头螺钉M4×7.5 | Screw | 0 | 0 | 2 |
| 3 | S10007 | 内六角凹端紧定螺钉M4×4 | Screw | 0 | 0 | 2 |
| 4 | 20701030 | 托架 | Bracket | 0 | 0 | 1 |
| 5 | 207S11011 | 开槽圆柱头螺钉M4×5 | Screw | 0 | 0 | 3 |
| 6 | 2111301000 | 过线 | Thread Guide | 0 | 0 | 1 |
| 7 | 21213007 | 过线 | Thread Guide | 0 | 0 | 1 |
| 8 | 21213010 | 过线 | Thread Guide | 0 | 0 | 1 |
| 9 | 20713021 | 过线 | Thread Guide | 0 | 0 | 1 |
| 10 | 21213004 | 过线板 | Thread Guide | 0 | 0 | 1 |
| 11 | 20713006 | 托架 | Bracket | 1 | 1 | 1 |
| 12 | 20713007 | 压线板 | Thread Retainer | 1 | 1 | 1 |
| 13 | 20727002 | 压簧 | Spring | 1 | 1 | 1 |
| 14 | 207S20003 | 开槽圆柱头轴位螺钉M2×3 | Screw | 1 | 1 | 1 |
| 15 | 207S11015 | 开槽圆柱头螺钉M3×6 | Screw | 0 | 0 | 2 |
| 16 | 21213008 | 挑线杆 | Thread Takeup | 0 | 0 | 1 |
| 17 | 21213012 | 挑线杆 | Thread Takeup | 0 | 0 | 1 |
| 18 | 121413007 | 过线板 | Thread Guide | 0 | 0 | 1 |



七、过线机构(2)/Thread Guide and Thread Takeup(2)

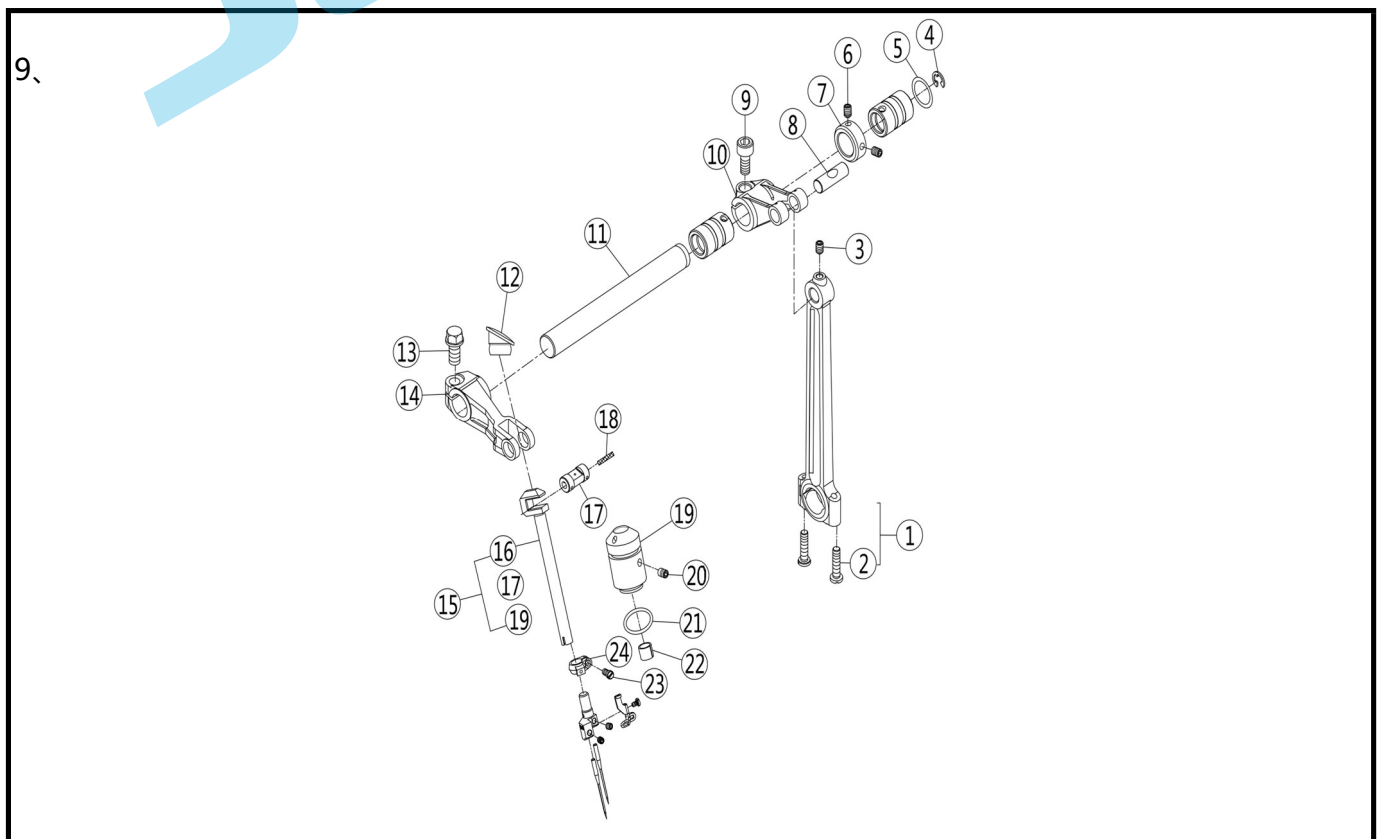
| 序号 NO. | 公司件号 Part NO. | 名称 PartName | 零件描述 Description | 数量 (Number) | | |
|--------|------------------|---------------|------------------|------------------|-----------------|-----------------|
| | | | | 三线 | 四线 | 五线 |
| | | | | three- thread | four- thread | five- thread |
| 1 | 21212029 | 托架 | Bracket | 1 | 1 | 0 |
| 2 | 207S11019 | 开槽圆柱头螺钉M4×7.5 | Screw | 2 | 2 | 0 |
| 3 | S10007 | 内六角凹端紧定螺钉M4×4 | Screw | 1 | 1 | 0 |
| 4 | 20713002 | 过线 | Thread Guide | 1 | 0 | 0 |
| 5 | 20713003 | 过线 | Thread Guide | 0 | 1 | 0 |
| 6 | 21213003 | 过线板 | Thread Guide | 1 | 0 | 0 |
| 7 | 21213002 | 过线 | Thread Guide | 0 | 1 | 0 |
| 8 | 20713006 | 托架 | Bracket | 1 | 1 | 0 |
| 9 | 20713007 | 压线板 | Thread Retainer | 1 | 1 | 0 |
| 10 | 20727002 | 压簧 | Spring | 1 | 1 | 0 |
| 11 | 207S20003 | 开槽圆柱头轴位螺钉M2×3 | Screw | 1 | 1 | 0 |
| 12 | 207S11015 | 开槽圆柱头螺钉M3×6 | Screw | 2 | 2 | 0 |
| 13 | 21213009 | 挑线杆 | Thread Takeup | 1 | 0 | 0 |
| 14 | 21213013 | 挑线杆 | Thread Takeup | 0 | 1 | 0 |



八、过线机构(3)/Thread Guide and Thread Takeup(3)

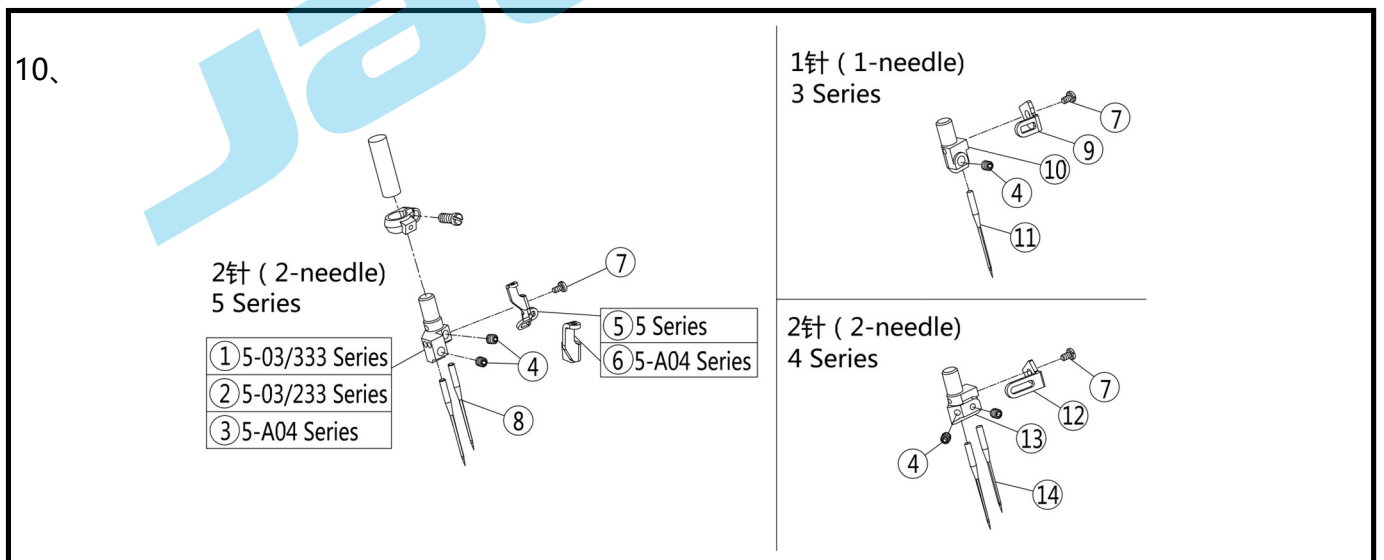
| 序号 NO. | 公司件号 Part NO. | 名称 PartName | 零件描述 Description | 数量 (Number) | | |
|--------|------------------|----------------------|------------------|------------------|-----------------|-----------------|
| | | | | 三线 | 四线 | 五线 |
| | | | | three- thread | four- thread | five- thread |
| 1 | 20713054 | 过线 | Thread Guide | 1 | 1 | 1 |
| 2 | 20713053 | 过线 | Thread Guide | 0 | 0 | 1 |
| 3 | 20713012 | 过线 | Thread Guide | 1 | 1 | 0 |
| 4 | 20113015 | 过线 | Thread Guide | 3 | 3 | 3 |
| 5 | 20712016 | 托架 | Bracket | 1 | 1 | 1 |
| 6 | W01011 | 垫圈3 | Washer | 3 | 3 | 3 |
| 7 | 201S11006 | 开槽圆柱头螺钉SM1/8"×44×3.4 | Screw | 3 | 3 | 3 |
| 8 | 207S11007 | 十字槽圆柱头螺钉M4×7.5 | Screw | 1 | 1 | 1 |
| 9 | 207S11020 | 开槽圆柱头螺钉M3×4 | Screw | 1 | 1 | 1 |
| 10 | 20713011 | 过线 | Thread Guide | 1 | 1 | 1 |
| 11 | 20713010 | 挑线架 | Thread Takeup | 1 | 1 | 1 |
| 12 | 207S11021 | 开槽圆柱头螺钉M3.5×6 | Screw | 1 | 1 | 1 |
| 13 | 20713015 | 挑线架 | Thread Takeup | 1 | 1 | 0 |
| 14 | 20713055 | 挑线架 | Thread Takeup | 0 | 0 | 1 |

Jack 杰克



九、针杆部件(1)/Needle Drive Mechanism(1)

| 序号 NO. | 公司件号 Part NO. | 名称 PartName | 零件描述 Description | 数量 (Number) | | |
|--------|------------------|--------------------|---------------------|------------------|-----------------|-----------------|
| | | | | 三线 | 四线 | 五线 |
| | | | | three- thread | four- thread | five- thread |
| 1 | 21105011 | 针杆连杆 | Connection | 1 | 1 | 1 |
| 2 | S22007 | 11/64*40铜连杆螺丝 | Screw | 2 | 2 | 2 |
| 3 | 207S14007 | 内六角凹端紧定螺钉M4×6 | Screw | 1 | 1 | 1 |
| 4 | H05008 | 挡圈8 | Ring | 1 | 1 | 1 |
| 5 | 20628014 | 上刀架垫片 | Washer | 1 | 1 | 1 |
| 6 | 207S14001 | 内六角平端紧定螺钉M4×4 | Screw | 2 | 2 | 2 |
| 7 | 20708004 | 上轴挡圈 | Collar | 1 | 1 | 1 |
| 8 | 20626003 | 曲柄销 | Pin | 1 | 1 | 1 |
| 9 | S05018 | 内六角圆柱头螺钉M6×0.75×12 | Screw | 1 | 1 | 1 |
| 10 | 20704001 | 上轴曲柄 | Crank | 1 | 1 | 1 |
| 11 | 20702002 | 上轴 | Shaft | 1 | 1 | 1 |
| 12 | 21111040 | 针杆油封 | Plug | 1 | 1 | 1 |
| 13 | 207S12002 | 外六角螺钉M6×12 | Screw | 1 | 1 | 1 |
| 14 | 20704002 | 针杆曲柄 | Lever | 1 | 1 | 1 |
| 15 | 2110200900 | 针杆组件 | Needle Bar Assembly | 1 | 1 | 1 |
| 16 | 21102010 | 针杆 | Needle Bar | 1 | 1 | 1 |
| 17 | 20726003 | 曲柄销 | Shaft | 1 | 1 | 1 |
| 18 | 20523005 | 油线 | Oil wick | 0.033 | 0.033 | 0.033 |
| 19 | 21203001 | 针杆套 | Bushing | 1 | 1 | 1 |
| 20 | 207S14008 | 内六角螺钉M4×5 | Screw | 1 | 1 | 1 |
| 21 | O01026 | O型圈11.5×1.5 | O Ring | 1 | 1 | 1 |
| 22 | 20723003 | 毛毡 | Oil Felt | 1 | 1 | 1 |
| 23 | 207S11023 | 开圆柱头槽螺钉M3×6 | Screw | 1 | 1 | 1 |
| 24 | 20708005 | 挡圈 | Ring | 1 | 1 | 1 |

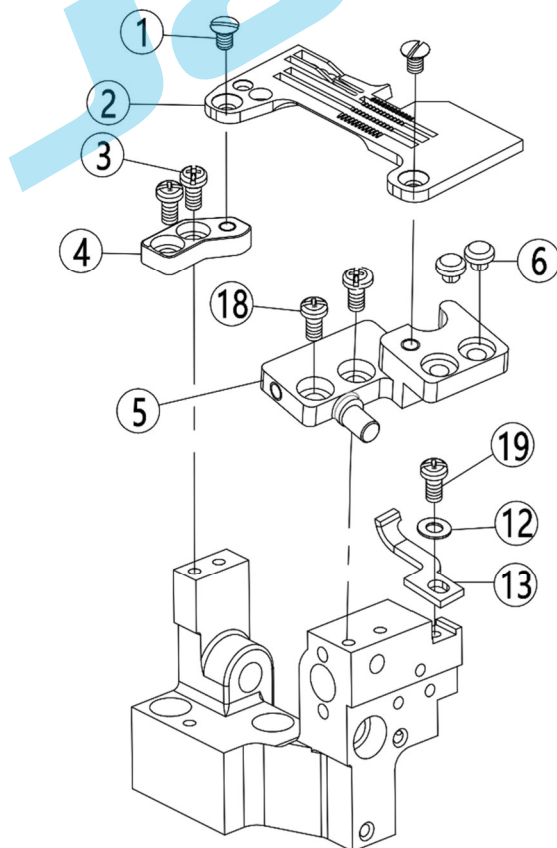


十、针杆部件(2)/Needle Drive Mechanism(2)

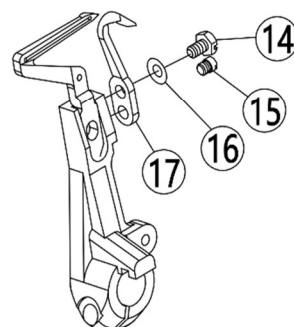
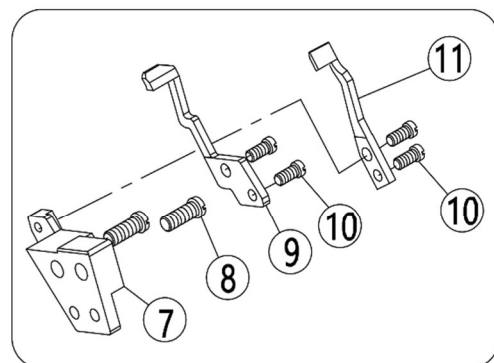
| 序号 NO. | 公司件号 Part NO. | 名称 PartName | 零件描述 Description | 数量 (Number) | | |
|--------|------------------|---------------|------------------------|------------------|-----------------|-----------------|
| | | | | 三线 | 四线 | 五线 |
| | | | | three- thread | four- thread | five- thread |
| 1 | 20734003 | 针夹头 (五线普通) | Needle Holder Assembly | 0 | 0 | 1 |
| 2 | 20734004 | 针夹头 (70) | Needle Holder Assembly | 0 | 0 | 1 |
| 3 | 20719056 | 针夹头 (厚料) | Needle Holder Assembly | 0 | 0 | 1 |
| 4 | 207S14014 | 内六角平端紧定螺钉M3×3 | Screw | 1 | 2 | 2 |

| | | | | | | |
|----|-----------|-------------|------------------------|---|---|---|
| 5 | 20713017 | 过线 | Thread Guide | 0 | 0 | 1 |
| 6 | 20713056 | 过线 | Thread Guide | 0 | 0 | 1 |
| 7 | 207S11024 | 开槽圆柱头螺钉M2×3 | Screw | 1 | 1 | 1 |
| 8 | xxxxxxx | 机针 | Needle | 0 | 0 | 2 |
| 9 | 20713038 | 过线(一针) | Thread Guide | 1 | 0 | 0 |
| 10 | 20734001 | 针夹头(三线) | Needle Holder Assembly | 1 | 0 | 0 |
| 11 | xxxxxxx | 机针 | Needle | 1 | 0 | 0 |
| 12 | 20713018 | 过线 | Thread Guide | 0 | 1 | 0 |
| 13 | 20734002 | 针夹头(四线) | Needle Holder | 0 | 1 | 0 |
| 14 | xxxxxxx | 机针 | Needle | 0 | 2 | 0 |

11、

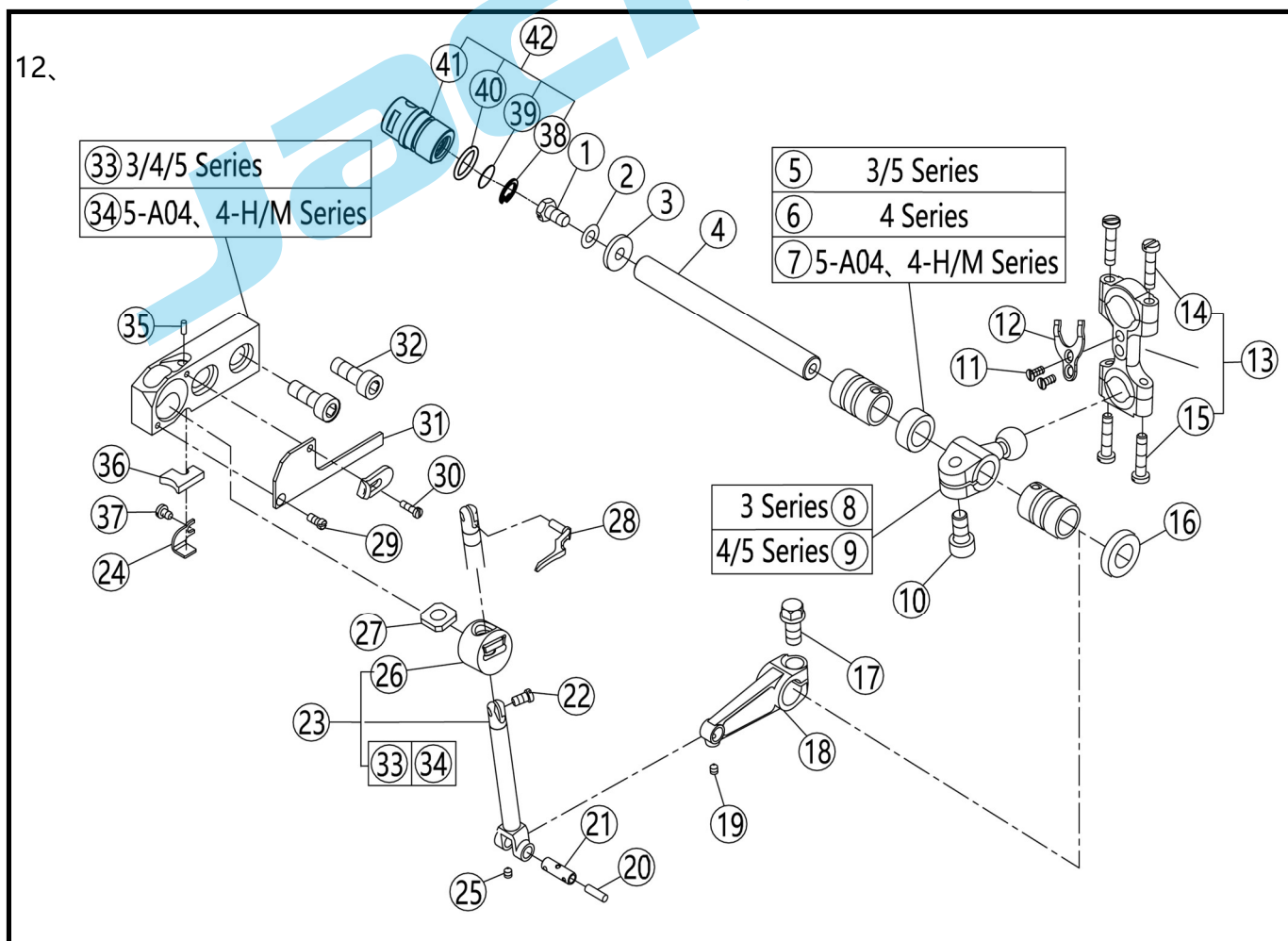


5 Series



十一. 针杆部件(3) /Needle Drive Mechanism(3)

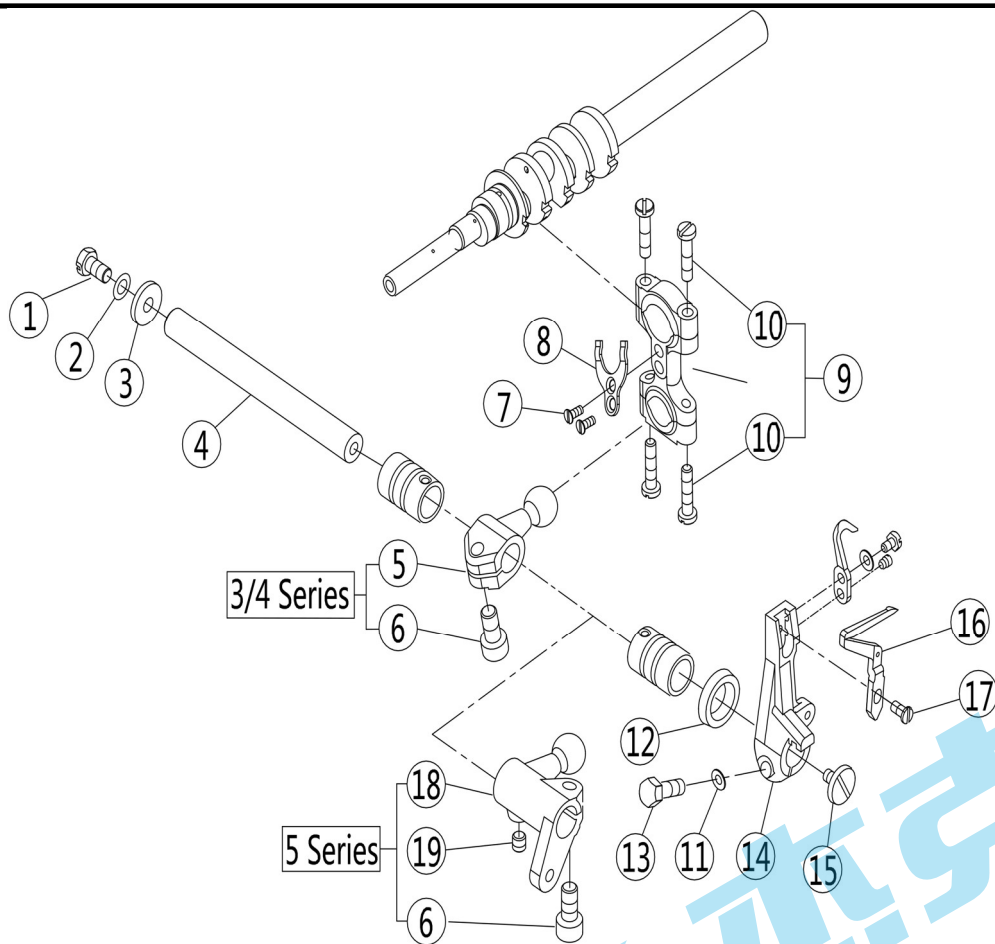
| 序号 NO. | 公司件号 Part NO. | 名称 PartName | 零件描述 Description | 数量 (Number) | | |
|--------|------------------|----------------|------------------|------------------|-----------------|-----------------|
| | | | | 三线 | 四线 | 五线 |
| | | | | three- thread | four- thread | five- thread |
| 1 | 207S17006 | 螺钉M4×4.5 | Screw | 2 | 2 | 2 |
| 2 | xxxxxxx | 针板 | Needle Plate | 1 | 1 | 1 |
| 3 | 421S10001 | 复合槽圆柱头螺钉M4×8 | Screw | 2 | 2 | 2 |
| 4 | 20709003 | 针板垫块(后) | Bracket | 1 | 1 | 1 |
| 5 | 121109003 | 针板垫块(前) | Bracket | 1 | 1 | 1 |
| 6 | 20622003 | 减震垫 | Cushion Rubber | 2 | 2 | 2 |
| 7 | 20701033 | 托架 | Bracket | 0 | 0 | 1 |
| 8 | 207S11003 | 螺钉M4×10 | Screw | 0 | 0 | 2 |
| 9 | xxxxxxx | 机针护针(后) | Needle Guard | 0 | 0 | 1 |
| 10 | S01027 | 开槽圆柱头螺钉M3×6 | Screw | 0 | 0 | 4 |
| 11 | xxxxxxx | 链弯针护针 | Needle Guard | 0 | 0 | 1 |
| 12 | 20128019 | W07垫圈 | Spring | 1 | 1 | 1 |
| 13 | xxxxxxx | 机针护针(前) | Needle Guard | 1 | 1 | 1 |
| 14 | 207S12005 | 开槽外六角螺钉M3×5 | Screw | 1 | 1 | 1 |
| 15 | 207S11002 | 开槽圆柱头螺钉M3x2.3 | Screw | 1 | 1 | 1 |
| 16 | W03004 | M3波形垫片 | Spring | 1 | 1 | 1 |
| 17 | xxxxxxx | 护针(后) | Needle Guard | 1 | 1 | 1 |
| 18 | 207S11011 | 开槽圆柱头螺钉M4×5 | Screw | 2 | 2 | 2 |
| 19 | 207S11007 | 十字槽圆柱头螺钉M4×7.5 | Screw | 1 | 1 | 1 |



十二. 上弯针部件/Upper Looper Drive Mechanism

| 序号 NO. | 公司件号 Part NO. | 名称 PartName | 零件描述 Description | 数量 (Number) | | |
|--------|------------------|--------------------|--------------------------|------------------|-----------------|-----------------|
| | | | | 三线 | 四线 | 五线 |
| | | | | three- thread | four- thread | five- thread |
| 1 | 207S11004 | 外六角螺钉M5×9.5 | Screw | 1 | 1 | 1 |
| 1 | 1211NS12002 | 开槽外六角螺钉M5×9.5 | Screw | 0 | 0 | 1 |
| 2 | W02001 | 弹簧垫圈5 | Spring Washer | 1 | 1 | 1 |
| 3 | 20628006 | 垫圈 | Washer | 1 | 1 | 1 |
| 4 | 20702004 | 下弯针轴 | Shaft | 1 | 1 | 1 |
| 5 | 20708007 | 衬套A | Spacer | 1 | 0 | 1 |
| 6 | 20708006 | 衬套 | Spacer | 0 | 1 | 0 |
| 7 | 20703060 | 衬套 (厚料) | Spacer | 0 | 1 | 1 |
| 8 | 400036 | 上弯针球曲柄 | Crank | 1 | 0 | 0 |
| 9 | 400037 | 上弯针球曲柄 | Crank | 0 | 1 | 1 |
| 10 | S05018 | 内六角圆柱头螺钉M6×0.75×12 | Screw | 1 | 1 | 1 |
| 11 | S02007 | 开槽沉头螺钉M3×5.4 | Screw | 2 | 2 | 2 |
| 12 | 20712066 | 连杆垫片 | Washer | 1 | 1 | 1 |
| 13 | 400043 | 弯针连杆 | Connection | 1 | 1 | 1 |
| 14 | S22007 | 11/64*40铜连杆螺丝 | Screw | 2 | 2 | 2 |
| 15 | S22007 | 11/64*40铜连杆螺丝 | Screw | 2 | 2 | 2 |
| 16 | 20622019 | 油封 | Oil Seal | 1 | 1 | 1 |
| 17 | 207S12002 | 外六角螺钉M6×12 | Screw | 1 | 1 | 1 |
| 18 | 20705003 | 连杆 | Lever | 1 | 1 | 1 |
| 19 | 207S14010 | 内六角锥端紧定螺钉M3×4 | Screw | 1 | 1 | 1 |
| 20 | 21323007 | 油线 | Oil Weak | 0.04 | 0.04 | 0.04 |
| 21 | 20726004 | 曲柄销 | Pin Assy. | 1 | 1 | 1 |
| 22 | 207S11025 | 开槽圆柱头螺钉M3.5×6 | Screw | 1 | 1 | 1 |
| 23 | 2070403400 | 上弯针滑杆组件DLC处理 | Upper Looper Holder Assy | 1 | 1 | 1 |
| | 2070403500 | 上弯针滑杆组件DLC厚料 | Upper Looper Holder Assy | 0 | 1 | 1 |
| | 2070402100 | 上弯针滑杆组件DLC(M04) | Upper Looper Holder Assy | 0 | 0 | 1 |
| 24 | 20712017 | 压板 | Bracket | 1 | 1 | 1 |
| 25 | 121323002 | 滑杆毛毡 | Oil Felt | 1 | 1 | 1 |
| 26 | 20709004 | 上弯针滑块 | Upper Looper Slider | 1 | 1 | 1 |
| 27 | 20623005 | 上弯针滑杆套油毡 | Felt | 1 | 1 | 1 |
| 28 | xxxxxxx | 上弯针 | Upper Looper | 1 | 1 | 1 |
| 29 | 207S17004 | 开槽沉头螺钉M2.5×4.5 | Screw | 1 | 1 | 1 |
| 30 | 207S11027 | 开槽圆柱头螺钉M2.5×8 | Screw | 1 | 1 | 1 |
| 31 | 400040 | 盖板 | Cover | 1 | 1 | 1 |
| 32 | 207S11026 | 螺钉M6×16 | Screw | 2 | 2 | 2 |
| 33 | 20701051 | 上弯针滑块座 | Upper Looper Bracket | 1 | 1 | 1 |
| 34 | 20701088 | 上弯针滑块座 | Upper Looper Bracket | 0 | 1 | 1 |
| 35 | 121223001 | 过滤塞 | Oil Wick | 1 | 1 | 1 |
| 36 | 20723005 | 吸油棉 | Felt | 1 | 1 | 1 |
| 37 | 207S11020 | 开槽圆柱头螺钉M3×4 | Screw | 1 | 1 | 1 |
| 38 | H01121 | 孔用弹性挡圈11 | Block Circle | 1 | 1 | 1 |
| 39 | 121322002 | 滤网 | Filters | 1 | 1 | 1 |
| 40 | O01039 | O型圈φ12.5×1.8 | O-ring | 1 | 1 | 1 |
| 41 | 121103010 | 上弯针轴盖 | Shaft cover | 1 | 1 | 1 |
| 42 | 12110301000 | 上弯针轴盖组件 | Shaft cover assembly | 1 | 1 | 1 |

13、

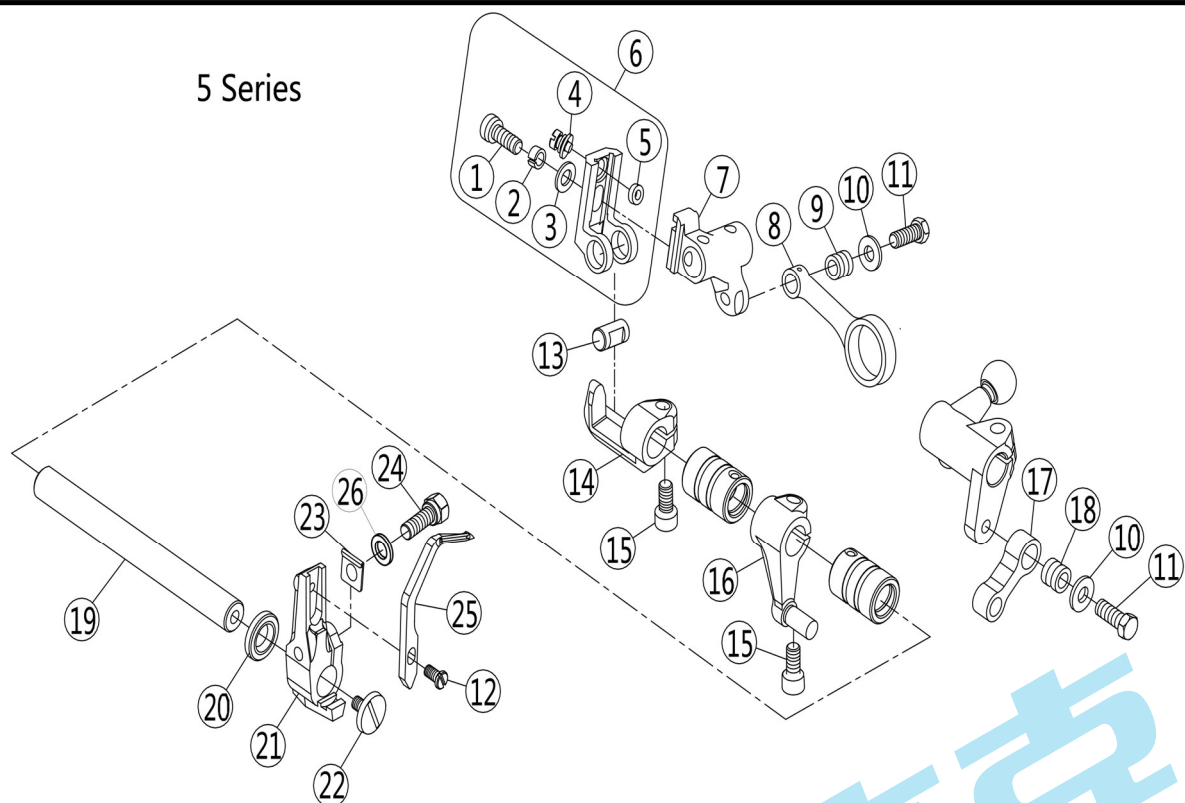


十三、下弯针部件/Lower Looper Drive Mechanism

| 序号 NO. | 公司件号 Part NO. | 名称 PartName | 零件描述 Description | 数量 (Number) | | |
|--------|------------------|----------------------|---------------------|------------------|-----------------|-----------------|
| | | | | 三线 | 四线 | 五线 |
| | | | | three- thread | four- thread | five- thread |
| 1 | 207S11004 | 外六角螺钉M5×9.5 | Screw | 1 | 1 | 0 |
| 1 | 1211NS12002 | 开槽外六角螺钉M5×9.5 | Screw | 0 | 0 | 1 |
| 2 | W02001 | 弹簧垫圈5 | Spring Washer | 1 | 1 | 1 |
| 3 | 20628006 | 垫圈 | Washer | 1 | 1 | 1 |
| 4 | 20702004 | 下弯针轴 | Shaft | 1 | 1 | 1 |
| 5 | 400329 | 下弯针球曲柄 | Crank | 1 | 1 | 0 |
| 6 | S05018 | 内六角圆柱头螺钉M6×0.75×12 | Screw | 1 | 1 | 1 |
| 7 | S02007 | 开槽沉头螺钉M3×5.4 | Screw | 2 | 2 | 2 |
| 8 | 20712066 | 连杆垫片 | Washer | 1 | 1 | 1 |
| 9 | 400043 | 弯针连杆(铝) | Connection | 1 | 1 | 1 |
| 10 | S22007 | 11/64*40铜连杆螺丝 | Screw | 4 | 4 | 4 |
| 11 | 20128021 | W12垫片 | Washer | 1 | 1 | 1 |
| 12 | 20622019 | 油封 | Oil Seal | 1 | 1 | 1 |
| 13 | 201S12007 | 六角头特制螺钉SM15/64"×28×9 | Screw | 1 | 1 | 1 |
| 14 | 20704007 | 下弯针架 | Lower Looper Holder | 1 | 1 | 1 |
| 15 | 207S15001 | 开槽圆柱头螺钉M4×7 | Screw | 1 | 1 | 1 |
| 16 | xxxxxxxx | 下弯针 | Lower Looper | 1 | 1 | 1 |
| 17 | 207S11028 | 开槽圆柱头螺钉M3.5×6.5 | Screw | 1 | 1 | 1 |
| 18 | 400388 | 下弯针球曲柄 | Crank | 0 | 0 | 1 |
| 19 | 207S14012 | 内六角平端紧定螺钉M5×5 | Screw | 0 | 0 | 1 |

14、

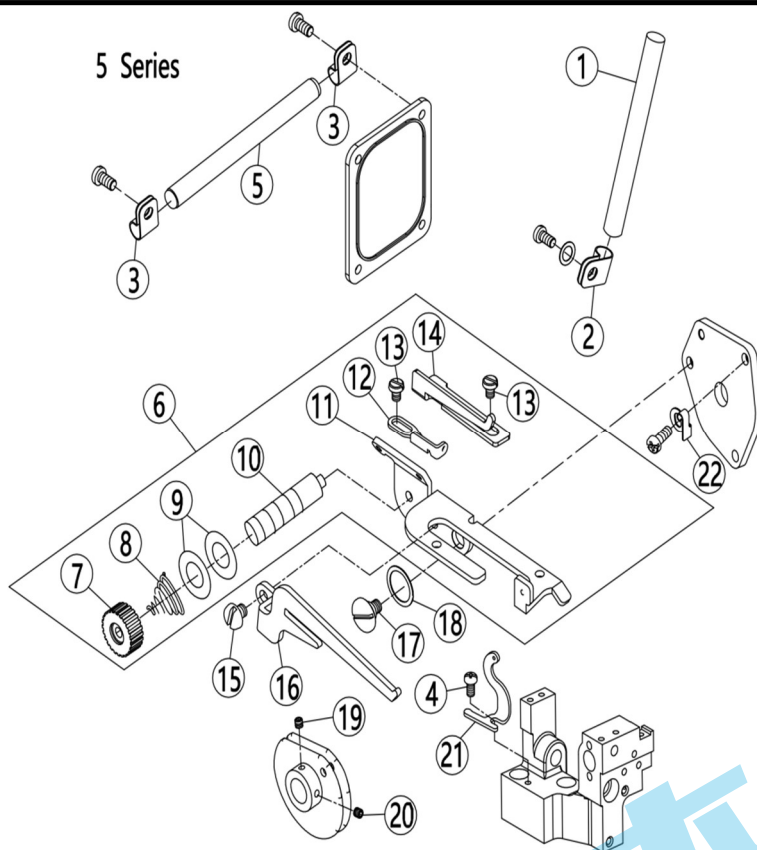
5 Series



十四、二重环弯针机构(1)/Chainstitch Looper Drive Mechanism(1)

| 序号 NO. | 公司件号 Part NO. | 名称 PartName | 零件描述 Description | 数量 (Number) | | |
|--------|------------------|--------------------|---------------------------|------------------------|-----------------------|-----------------------|
| | | | | 三线 three- thread | 四线 four- thread | 五线 five- thread |
| 1 | 207S13009 | 内六角圆柱头螺钉M5×12 | Screw | 0 | 0 | 1 |
| 2 | W02001 | 弹簧垫圈5 | Spring Washer | 0 | 0 | 1 |
| 3 | 20628010 | 送布曲柄销垫圈 | Washer | 0 | 0 | 1 |
| 4 | 20710008 | 偏心销 | Pin | 0 | 0 | 1 |
| 5 | O01027 | O型圈4×1.3 | O Ring | 0 | 0 | 1 |
| 6 | 401031 | 滑块座 | Slider | 0 | 0 | 1 |
| 7 | 401030 | 曲柄 | Crank | 0 | 0 | 1 |
| 8 | 20705020 | 连杆 | Connection | 0 | 0 | 1 |
| 9 | 20703016 | 连杆套 | Bushing | 0 | 0 | 1 |
| 10 | 30228008 | 垫圈 | Washer | 0 | 0 | 2 |
| 11 | 207S12003 | 六角头螺钉M5×0.5×13 | Screw | 0 | 0 | 2 |
| 12 | 207S11028 | 开槽圆柱头螺钉M3.5×6.5 | Screw | 0 | 0 | 1 |
| 13 | 20626017 | 五线销 | Shaft | 0 | 0 | 1 |
| 14 | 20701034 | 支架 | Holder | 0 | 0 | 1 |
| 15 | S05018 | 内六角圆柱头螺钉M6×0.75×12 | Screw | 0 | 0 | 2 |
| 16 | 20704015 | 链线曲柄 | Crank | 0 | 0 | 1 |
| 17 | 20705009 | 连杆 | Link | 0 | 0 | 1 |
| 18 | 20703013 | 连杆套 | Bushing | 0 | 0 | 1 |
| 19 | 20702018 | 链线轴 | Shaft | 0 | 0 | 1 |
| 20 | 2072201700 | 油封 | Oil Seal | 0 | 0 | 1 |
| 21 | 20701035 | 弯针架 | Looper Holder | 0 | 0 | 1 |
| 22 | 207S15001 | 开槽圆柱头螺钉M4×7 | Screw | 0 | 0 | 1 |
| 23 | 20728002 | 垫片 | Spacer | 0 | 0 | 1 |
| 24 | 207S20004 | 外六角轴位螺钉M5×9 | Screw | 0 | 0 | 1 |
| 25 | xxxxxxx | 弯针 | Double Chainstitch Looper | 0 | 0 | 1 |
| 26 | 121112085 | 垫片 | Spacer | 0 | 0 | 1 |

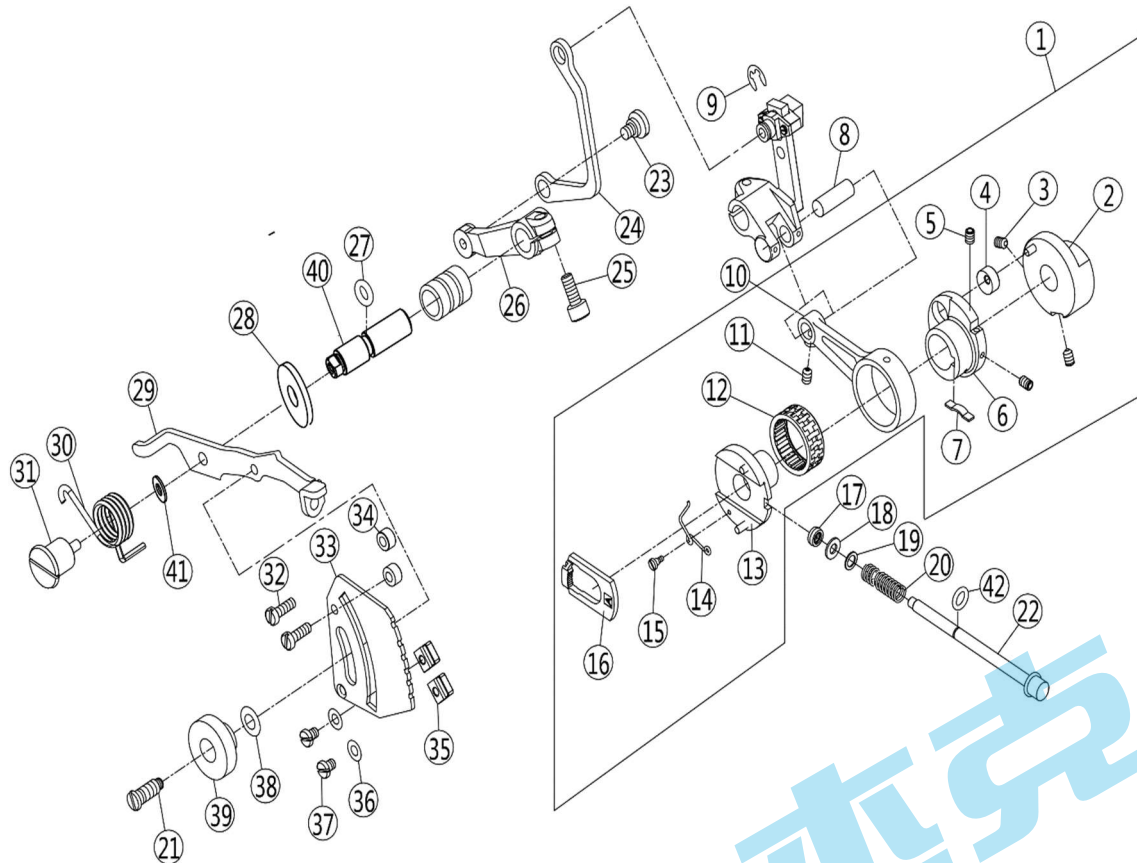
15、



十五、二重环弯针机构(2)/Chainstitch Looper Drive Mechanism(2)

| 序号 NO. | 公司件号 Part NO. | 名称 PartName | 零件描述 Description | 数量 (Number) | | |
|--------|------------------|----------------|---------------------------|------------------------|-----------------------|-----------------------|
| | | | | 三线 three- thread | 四线 four- thread | 五线 five- thread |
| 1 | 20713063 | 过线管 | Thread Guide | 0 | 0 | 1 |
| 2 | 20729004 | 过线管夹 | Holder | 0 | 0 | 1 |
| 3 | 20629003 | 过线管夹 | Holder | 0 | 0 | 2 |
| 4 | 207S11007 | 十字槽圆柱头螺钉M4×7.5 | Screw | 0 | 0 | 1 |
| 5 | 20713040 | 过线管 | Thread Guide | 0 | 0 | 1 |
| 6 | 2061205700 | 打线凸轮组件 | Looper Thread Takeup Assy | 0 | 0 | 1 |
| 7 | 206S16004 | 紧线手柄 | Knob | 0 | 0 | 1 |
| 8 | 30127016 | 弹簧 | Spring | 0 | 0 | 1 |
| 9 | 20612055 | 夹线片 | Tension Disc | 0 | 0 | 2 |
| 10 | 206S30015 | 螺钉M3 | Screw | 0 | 0 | 1 |
| 11 | 20612057 | 打线凸轮架 | Looper Thread Takeup Assy | 0 | 0 | 1 |
| 12 | 20613017 | 过线 | Thread Guide | 0 | 0 | 1 |
| 13 | 207S11020 | 开槽圆柱头螺钉M3×4 | Screw | 0 | 0 | 2 |
| 14 | 20629004 | 过线 | Thread Guide | 0 | 0 | 1 |
| 15 | 207S11011 | 开槽圆柱头螺钉M4×5 | Screw | 0 | 0 | 1 |
| 16 | 20612056 | 分线板 | Thread Guide | 0 | 0 | 1 |
| 17 | 301S20001 | 护罩座固定螺钉M4×3.6 | Screw | 0 | 0 | 1 |
| 18 | 20128015 | 波形垫圈 | Washer | 0 | 0 | 1 |
| 19 | 20612058 | 打线凸轮 | Looper Thread Takeup | 0 | 0 | 1 |
| 20 | 207S14014 | 内六角平端紧定螺钉M3×3 | Screw | 0 | 0 | 2 |
| 21 | 20713026 | 过线 | Tread Guide | 0 | 0 | 1 |
| 22 | 20629005 | 卡簧 | Spring | 0 | 0 | 1 |

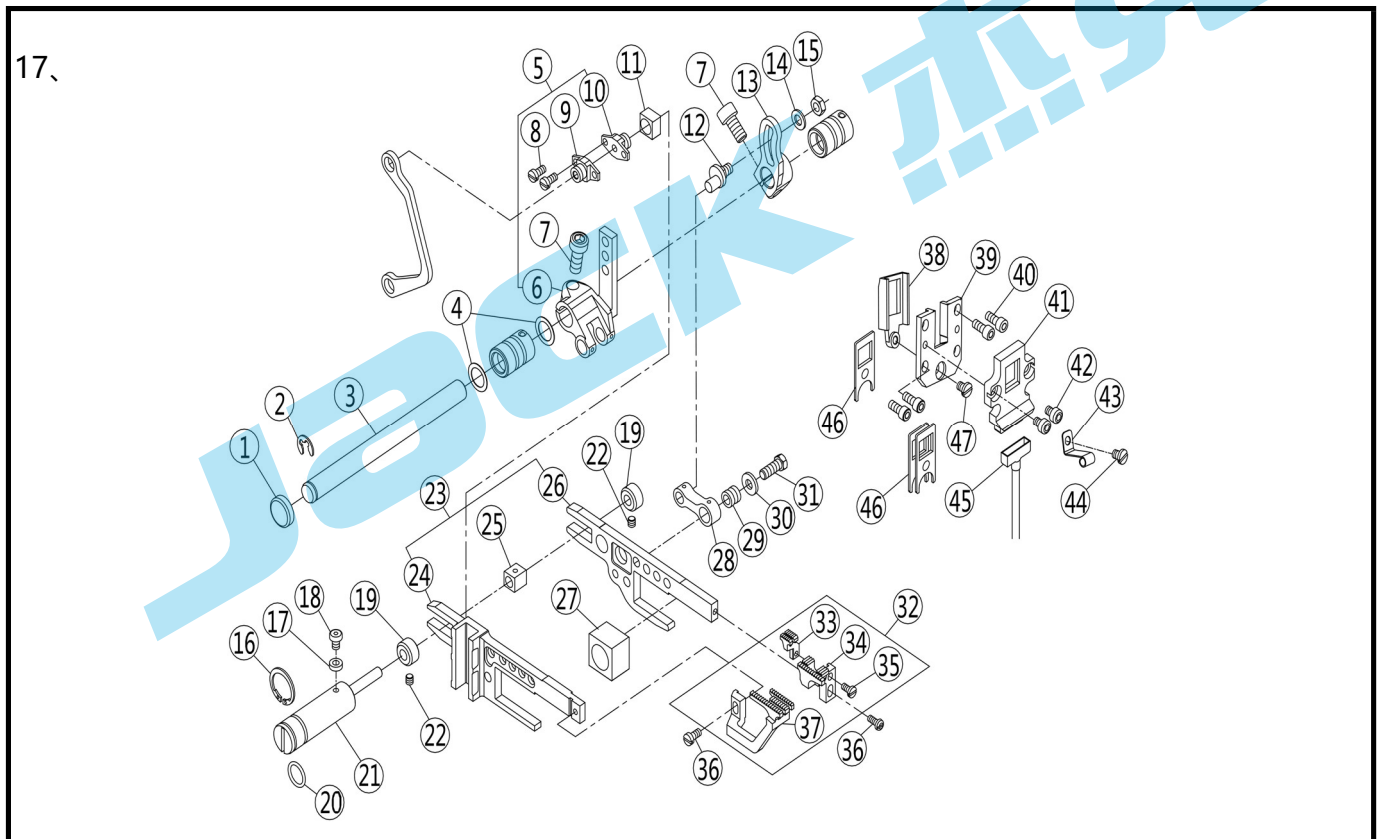
16、



十六、差动调节机构/Feed Mechanism

| 序号 NO. | 公司件号 Part NO. | 名称 PartName | 零件描述 Description | 数量 (Number) | | |
|--------|------------------|--------------------|------------------|------------------|-----------------|-----------------|
| | | | | 三线 | 四线 | 五线 |
| | | | | three- thread | four- thread | five- thread |
| 1 | 2070500400 | 送料连杆组件 | Connection | 1 | 1 | 1 |
| 2 | 20710003 | 送布偏心 | Regulator | 1 | 1 | 1 |
| 3 | 207S14012 | 内六角平端紧定螺钉M5×5 | Screw | 2 | 2 | 2 |
| 4 | 20710002 | 小偏心轮 | Feed Eccent | 1 | 1 | 1 |
| 5 | 207S14003 | 内六角尖端紧定螺钉M3×4 | Screw | 2 | 2 | 2 |
| 6 | 20710001 | 偏心轮 | Eccent | 1 | 1 | 1 |
| 7 | 20712175 | 弹性垫片 | Flat Spring | 1 | 1 | 1 |
| 8 | 20626003 | 曲柄销 | Pin | 1 | 1 | 1 |
| 9 | 20629006 | 卡簧 | Ring | 1 | 1 | 1 |
| 10 | 20705004 | 送料连杆 | Connection | 1 | 1 | 1 |
| 11 | 207S14007 | 内六角凹端紧定螺钉M4×6 | Screw | 1 | 1 | 1 |
| 12 | B08001 | 滚针轴承26×22×10 | Needle Bearing | 1 | 1 | 1 |
| 13 | 20710004 | 开针偏心凸轮 | Eccent Assembly | 1 | 1 | 1 |
| 14 | 20727003 | 偏心凸轮弹簧 | Spring | 1 | 1 | 1 |
| 15 | 207S20005 | 开槽圆柱头轴位螺钉M2×3 | Screw | 1 | 1 | 1 |
| 16 | 20709006 | 滑块 | Ratchet | 1 | 1 | 1 |
| 17 | 20722005 | 油封 | Gaket | 1 | 1 | 1 |
| 18 | O01027 | O型圈4×1.3 | O Ring | 1 | 1 | 1 |
| 19 | 20728001 | 垫片 | Washer | 1 | 1 | 1 |
| 20 | 20727004 | 开针轴弹簧 | Spring | 1 | 1 | 1 |
| 21 | 207S30001 | 开槽圆柱头螺钉M5×3 | Screw | 1 | 1 | 1 |
| 22 | 20702005 | 开针扭轴 | Push Button | 1 | 1 | 1 |
| 23 | 207S20006 | 开槽圆柱头螺钉M5×5 | Screw | 1 | 1 | 1 |
| 24 | 20705005 | 差动连片杆 | Link | 1 | 1 | 1 |
| 25 | S05018 | 内六角圆柱头螺钉M6×0.75×12 | Screw | 1 | 1 | 1 |

| | | | | | | |
|----|------------|--------------|-----------------|---|---|---|
| 26 | 20704008 | 差动曲柄 | Lever | 1 | 1 | 1 |
| 27 | O01016 | O型圈 6×1.8 | O Ring | 1 | 1 | 1 |
| 28 | 20128024 | W15垫圈 | Washer | 1 | 1 | 1 |
| 29 | 20712160 | 差动杆 | Lever | 1 | 1 | 1 |
| 30 | 20627006 | 差动扳手定位簧 | Spring | 1 | 1 | 1 |
| 31 | 207S20016 | 轴位螺钉 | Screw | 1 | 1 | 1 |
| 32 | 207S11008 | 开槽圆柱头螺钉M4×12 | Screw | 2 | 2 | 2 |
| 33 | 20712033 | 调节板 | Regulator Plate | 1 | 1 | 1 |
| 34 | 20711007 | 垫圈 | Spacer | 2 | 2 | 2 |
| 35 | 207S16002 | 差动限位螺母 | Stopper | 2 | 2 | 2 |
| 36 | 30228009 | 垫片 | Washer | 2 | 2 | 2 |
| 37 | 207S11011 | 开槽圆柱头螺钉M4×5 | Screw | 2 | 2 | 2 |
| 38 | 20728003 | 蝶形垫片 | Spring Washer | 1 | 1 | 1 |
| 39 | 2071600100 | 调节螺母 | Nut | 1 | 1 | 1 |
| 40 | 20702081 | 差动轴 | Shaft | 1 | 1 | 1 |
| 41 | W01006 | 平垫圈4 | Washer | 1 | 1 | 1 |
| 42 | H05002 | 开口挡圈3 | Ring | 1 | 1 | 1 |

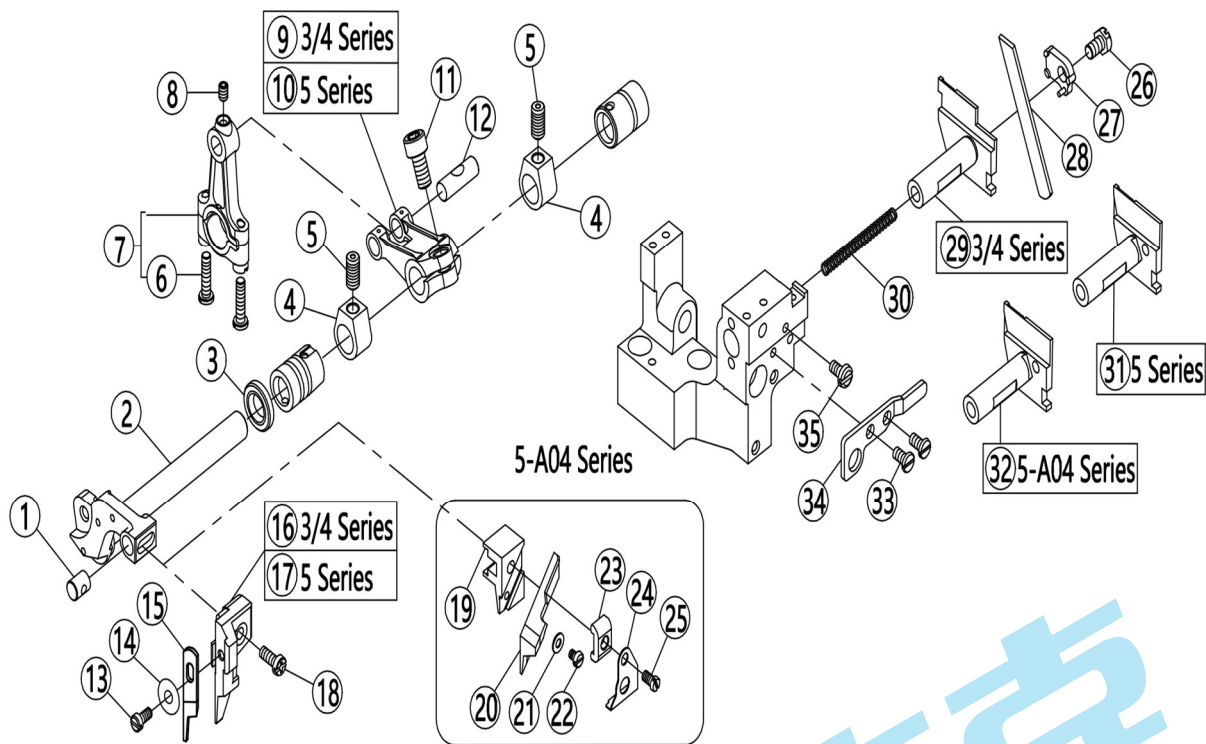


十七、送布机构/Feed Mechanism

| 序号 NO. | 公司件号 Part NO. | 名称 PartName | 零件描述 Description | 数量 (Number) | | |
|--------|------------------|--------------------|------------------|------------------|-----------------|-----------------|
| | | | | 三线 | 四线 | 五线 |
| | | | | three- thread | four- thread | five- thread |
| 1 | 20628023 | 送料轴油封 | Plug | 1 | 1 | 1 |
| 2 | H05009 | 开口挡圈7 | Ring | 1 | 1 | 1 |
| 3 | 20702008 | 送布轴 | Shaft | 1 | 1 | 1 |
| 4 | 20628011 | 送布轴垫圈 | Washer | 2 | 2 | 2 |
| 5 | 2070400900 | 送料曲柄组件 | Crank | 1 | 1 | 1 |
| 6 | 20704010 | 送料曲柄 | Crank | 1 | 1 | 1 |
| 7 | S05018 | 内六角圆柱头螺钉M6×0.75×12 | Screw | 2 | 2 | 2 |

| | | | | | | |
|----|------------|-----------------|------------------------|---|---|---|
| 8 | S01027 | 开槽圆柱头螺钉M3×6 | Screw | 2 | 2 | 2 |
| 9 | 20709008 | 曲柄 | Crank | 1 | 1 | 1 |
| 10 | 20709009 | 曲柄销 | Crank Pin | 1 | 1 | 1 |
| 11 | 20709034 | 滑块 | Block | 1 | 1 | 1 |
| 12 | 20710005 | 偏心销 | Pin | 1 | 1 | 1 |
| 13 | 20704011 | 送料曲柄 | Crank | 1 | 1 | 1 |
| 14 | 20628010 | 送布曲柄销垫圈 | Washer | 1 | 1 | 1 |
| 15 | N01004 | 六角螺母M5 | Nut | 1 | 1 | 1 |
| 16 | 20729002 | 卡簧 | Ring | 1 | 1 | 1 |
| 17 | 20722006 | 密封垫 | Gsket | 1 | 1 | 1 |
| 18 | 207S13001 | 内六角圆柱头螺钉M4×5.5 | Screw | 1 | 1 | 1 |
| 19 | 20708032 | 挡圈 | Collar | 2 | 2 | 2 |
| 20 | O01026 | O型圈11.5×1.5 | O Ring | 1 | 1 | 1 |
| 21 | 20710006 | 偏心轴 | Pin | 1 | 1 | 1 |
| 22 | 207S14001 | 内六角平端紧定螺钉M4×4 | Screw | 2 | 2 | 2 |
| 23 | 2070600100 | 牙架组件 | Feed Bar Assy. | 1 | 1 | 1 |
| 24 | 20706002 | 差动齿牙架 | Differential Feed Bar | 1 | 1 | 1 |
| 25 | 20709011 | 滑柱 | Block | 1 | 1 | 1 |
| 26 | 20706001 | 主送齿牙架 | Main Feed Bar | 1 | 1 | 1 |
| 27 | 20709012 | 滑块 | Block | 1 | 1 | 1 |
| 28 | 20705008 | 连杆 | Link | 1 | 1 | 1 |
| 29 | 20703016 | 连杆套 | Bushing | 1 | 1 | 1 |
| 30 | 30228008 | 垫圈 | Washer | 1 | 1 | 1 |
| 31 | 207S12003 | 六角头螺钉M5×0.5×13 | Screw | 1 | 1 | 1 |
| 32 | xxxxxxx | 牙齿组件 | Main Feed Dog Complete | 1 | 1 | 1 |
| 33 | xxxxxxx | 辅助齿 | Auxiliary | 1 | 1 | 1 |
| 34 | xxxxxxx | 主送齿 | Main Feed Dog | 1 | 1 | 1 |
| 35 | S01027 | 开槽圆柱头螺钉M3×6 | Screw | 1 | 1 | 1 |
| 36 | S01029 | 开槽圆柱头螺钉M3.5×7.5 | Screw | 2 | 2 | 2 |
| 37 | xxxxxxx | 差动齿 | Differential Feed Dog | 1 | 1 | 1 |
| 38 | 20701049 | 牙架挡油板 | Feed Bar Oil Seal | 1 | 1 | 1 |
| 39 | 20701048 | 牙架挡块(一体) | Feed Bar | 1 | 1 | 1 |
| 40 | 207S13006 | 内六角圆柱头螺钉M4×9 | Screw | 4 | 4 | 4 |
| 41 | 20701013 | 挡油板 | Feed Bar Oil Seal | 1 | 1 | 1 |
| 42 | 207S13007 | 内六角圆柱头螺钉M4×5 | Screw | 2 | 2 | 2 |
| 43 | 20712062 | 油管夹 | Clamp | 1 | 1 | 1 |
| 44 | 207S11011 | 开槽圆柱头螺钉M4×5 | Screw | 1 | 1 | 1 |
| 45 | 20721009 | 牙架吸油管组件 | Tube | 1 | 1 | 1 |
| 46 | 20722007 | 牙架油封 | Oil Seal | 3 | 3 | 3 |
| 47 | 207S17005 | 开槽沉头螺钉M4×8 | Screw | 1 | 1 | 1 |

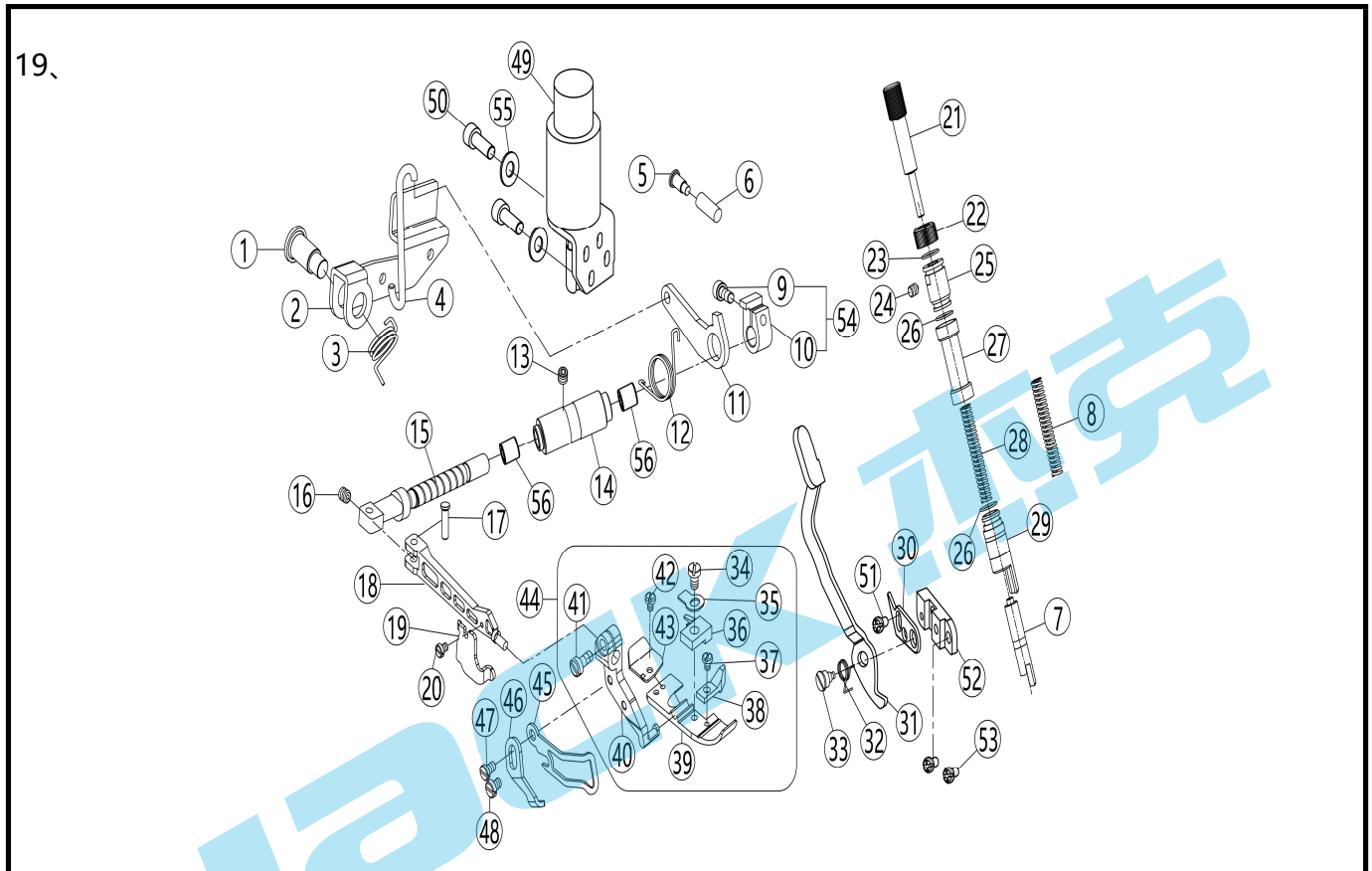
18、



十八、剪布机构/Knife Drive Mechanism

| 序号 NO. | 公司件号 Part NO. | 名称 PartName | 零件描述 Description | 数量 (Number) | | |
|--------|------------------|--------------------|--------------------------|------------------|-----------------|-----------------|
| | | | | 三线 | 四线 | 五线 |
| | | | | three- thread | four- thread | five- thread |
| 1 | 20726005 | 导向销 | Pin | 1 | 1 | 1 |
| 2 | 20702009 | 上刀架轴 | Upper Knife Lever | 1 | 1 | 1 |
| 3 | 2072201700 | 油封 | Oil Seal | 1 | 1 | 1 |
| 4 | 20708019 | 挡块 | Collar | 2 | 2 | 2 |
| 5 | S10003 | 内六角凹端紧定螺钉M6×0.75×5 | Screw | 2 | 2 | 2 |
| 6 | S22007 | 11/64*40铜连杆螺丝 | Screw | 2 | 2 | 2 |
| 7 | 400041 | 上刀连杆 | Connection | 1 | 1 | 1 |
| 8 | 207S14007 | 内六角凹端紧定螺钉M4×6 | Screw | 1 | 1 | 1 |
| 9 | 20704012 | 上刀曲柄 | Crank | 1 | 1 | 0 |
| 10 | 20704030 | 上刀曲柄 | Crank | 0 | 0 | 1 |
| 11 | S05018 | 内六角圆柱头螺钉M6×0.75×12 | Screw | 1 | 1 | 1 |
| 12 | 20626003 | 曲柄销 | Pin | 1 | 1 | 1 |
| 13 | 211S12002 | 开槽六角头螺钉M3.5×7.5 | Screw | 1 | 1 | 1 |
| 14 | 20128020 | W11垫圈 | Washer | 1 | 1 | 1 |
| 15 | xxxxxxxx | 上刀 | Upper Knife | 1 | 1 | 1 |
| 16 | 20701014 | 上刀座 | Upper Knife Clamp | 1 | 1 | 0 |
| 17 | 20701036 | 上刀座 | Upper Knife Clamp | 0 | 0 | 1 |
| 18 | S04019 | 十字槽盘头螺钉M4×12 | Screw | 1 | 1 | 1 |
| 19 | 20701050 | 刀片安装板(厚料) | Angled Upper Knife Clamp | 0 | 0 | 1 |
| 20 | xxxxxxxx | 切刀 | Angled Upper | 0 | 0 | 1 |
| 21 | W01011 | 垫圈3 | Washer | 0 | 0 | 1 |
| 22 | 207S11020 | 开槽圆柱头螺钉M3×4 | Screw | 0 | 0 | 1 |
| 23 | 20712053 | 上刀凹角切 (厚料) | Angled Upper Knife Gib | 0 | 0 | 1 |
| 24 | 20712051 | 挡板 | Waste Guard | 0 | 0 | 1 |
| 25 | S11025 | 开槽圆柱头螺钉M4×20 | Screw | 0 | 0 | 1 |
| 26 | 207S11004 | 外六角螺钉M5×9.5 | Screw | 1 | 1 | 1 |
| 27 | 20709013 | 压板 | Lower Knife Clamp | 1 | 1 | 1 |

| | | | | | | |
|----|-----------|---------------|--------------------------|---|---|---|
| 28 | xxxxxxx | 下刀 | Lower Knife | 1 | 1 | 1 |
| 29 | 20701015 | 下刀架 | Lower Knife Holder | 1 | 1 | 0 |
| 30 | 20727006 | 弹簧 | Spring | 1 | 1 | 1 |
| 31 | 20701037 | 下刀架 | Lower Knife Holder | 0 | 0 | 1 |
| 32 | 20701052 | 下刀架 (厚料) | Lower Knife Clamp | 0 | 0 | 1 |
| 33 | 207S11019 | 开槽圆柱头螺钉M4×7.5 | Screw | 2 | 2 | 2 |
| 34 | 20712021 | 挡板 | Lower Knife Holder Guard | 1 | 1 | 1 |
| 35 | 113S11004 | 松线导管压板螺钉M4×8 | Screw | 1 | 1 | 1 |
| 36 | 21302009 | 上刀架轴 | Upper Knife Lever | 1 | 1 | 1 |
| 37 | 21304012 | 上刀曲柄 | Crank | 1 | 1 | 0 |

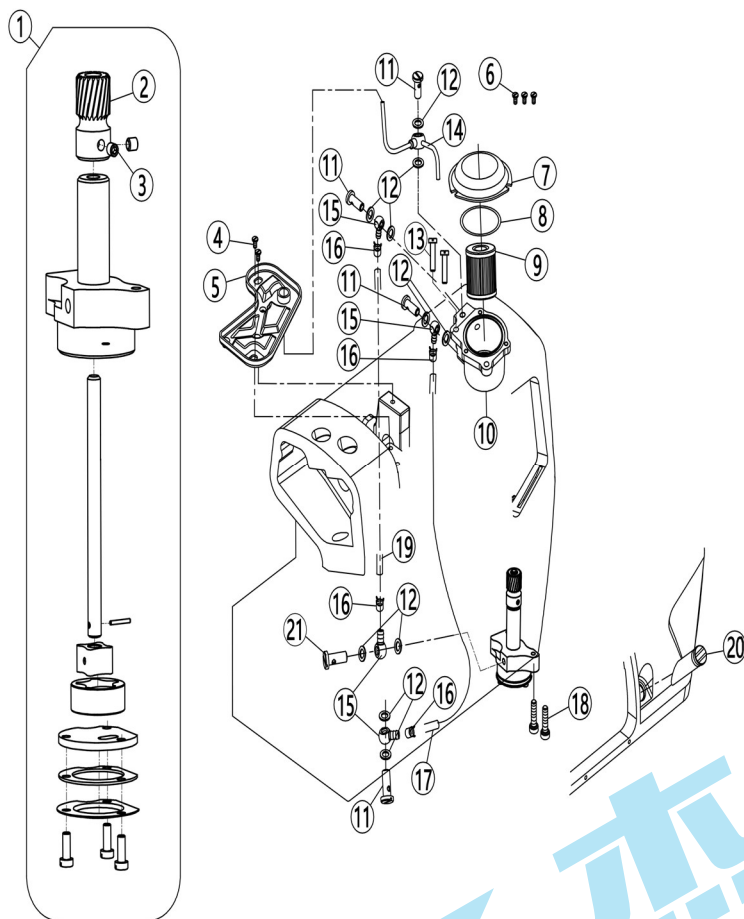


十九、拾压脚机构/Presser Foot Mechanism

| 序号 NO. | 公司件号 Part NO. | 名称 PartName | 零件描述 Description | 数量 (Number) | | |
|--------|------------------|----------------------|------------------|--------------|-------------|-------------|
| | | | | 三线 | 四线 | 五线 |
| | | | | three-thread | four-thread | five-thread |
| 1 | 207S20008 | 拾压脚螺钉M10 | Screw | 1 | 1 | 1 |
| 2 | 21112039 | 拾压脚杠杆 | Lever | 1 | 1 | 1 |
| 3 | 20727007 | 扭簧 | Spring | 1 | 1 | 1 |
| 4 | 20712025 | 弯钩 | Link | 1 | 1 | 1 |
| 5 | S05665 | 轴位螺钉 | Screw | 1 | 1 | 1 |
| 6 | 20703010 | 减震套 | Damping set | 1 | 1 | 1 |
| 7 | 2110301700 | 压杆组件 | Bushing | 1 | 1 | 1 |
| 8 | 21127006 | 压杆弹簧(厚料) | Spring | 0 | 0 | 1 |
| 9 | S05017 | 内六角圆柱头螺钉M6×0.75×13.5 | Screw | 1 | 1 | 1 |
| 10 | 21208004 | 拾压脚复位圈 | Collar | 1 | 1 | 1 |
| 11 | 121212010 | 拾压脚小杠杆 | Lever | 1 | 1 | 1 |
| 12 | 21127009 | 拾压脚杠杆扭簧(上孔) | Spring | 1 | 1 | 1 |
| 13 | S10009 | 内六角凹端紧定螺钉M6×8 | Screw | 1 | 1 | 1 |
| 14 | 20703030 | 压脚轴套筒 | Bushing | 1 | 1 | 1 |
| 15 | 20702010 | 压脚轴 | Shaft | 1 | 1 | 1 |
| 16 | S10011 | 内六角凹端紧定螺钉M4×0.5×4 | Screw | 1 | 1 | 1 |

| | | | | | | |
|----|-------------|----------------------|------------------------|---|---|---|
| 17 | 20626016 | 压脚臂连杆销 | Pin | 1 | 1 | 1 |
| 18 | 21201001 | 压脚臂 | Presser Arm | 1 | 1 | 1 |
| 19 | 21112014 | 切刀挡板 | Thread Cutter | 1 | 1 | 1 |
| 20 | 207S11020 | 开槽圆柱头螺钉M3×4 | Screw | 1 | 1 | 1 |
| 21 | 21102011 | 调节螺柱 | Adjusting Screw | 1 | 1 | 1 |
| 22 | 211S16002 | 压杆调节螺母 | Nut | 1 | 1 | 1 |
| 23 | O01039 | O型圈Φ12.5×1.8 | O Ring | 1 | 1 | 1 |
| 24 | S090003 | 内六角平端紧定螺钉M4X4 | Screw | 1 | 1 | 1 |
| 25 | 211S16001 | 螺纹套 | Thread Sleeve | 1 | 1 | 1 |
| 26 | O01008 | O型橡胶密封圈9×1.8 | O Ring | 2 | 2 | 2 |
| 27 | 21111009 | 防油套 | Oil Proof Sleeve | 1 | 1 | 1 |
| 28 | 21127004 | 压杆弹簧 | Spring | 1 | 1 | 1 |
| 29 | 21103018 | 压杆套筒 | Strut Sleeve | 1 | 1 | 1 |
| 30 | 21212021 | 限位板 | Spacer | 1 | 1 | 1 |
| 31 | 121112010 | 压杆扳手 | Lever | 1 | 1 | 1 |
| 32 | 121127012 | 压杆扳手扭簧 | Spring | 1 | 1 | 1 |
| 33 | 1211NS20001 | 轴位螺钉 | Screw | 1 | 1 | 1 |
| 34 | 207S11051 | 开槽圆柱头螺钉SM1/8"X44X5.5 | Screw | 0 | 1 | 0 |
| 35 | 20427010 | 弹簧片 | Spring | 1 | 1 | 0 |
| 36 | 20616004 | 压脚爪 | Paw Pressur | 0 | 1 | 0 |
| 37 | 206S10004 | 开槽圆柱头螺钉SM3/32×56×3.4 | Screw | 1 | 1 | 0 |
| 38 | 120716001 | 辅助压脚 | Auxiliary Presser Foot | 1 | 1 | 0 |
| 39 | 20716028 | 压脚 | Baseboard | 1 | 1 | 0 |
| 40 | 20716023 | 压脚架 | Rack | 1 | 1 | 0 |
| 41 | 207S11030 | 开槽圆柱头螺钉M3.5×7.5 | Screw | 1 | 1 | 0 |
| 42 | 207S11034 | 开槽圆柱头螺钉SM3/32×56×2.3 | Screw | 1 | 1 | 0 |
| 43 | 20716029 | 压脚辅助板 | Auxiliary Plank | 1 | 1 | 0 |
| 44 | xxxxxx | 压脚组件 | Presser Foot Assy | 1 | 1 | 0 |
| 45 | 20712026 | 压脚护手 | Finger Guard | 1 | 1 | 0 |
| 46 | 20712048 | 板簧 | Stopper | 1 | 1 | 0 |
| 47 | 207S11009 | 开槽圆柱头螺钉M3×4.5 | Screw | 1 | 1 | 1 |
| 48 | 207S11020 | 开槽圆柱头螺钉M3×4 | Screw | 1 | 1 | 1 |
| 49 | 2113030900 | 抬压脚电磁铁 | electromagnet assembly | 1 | 1 | 1 |
| 50 | 207S11026 | 螺钉M6×16 | Screw | 2 | 2 | 2 |
| 51 | 207S11007 | 十字槽圆柱头螺钉M4X7.5 | Screw | 1 | 1 | 1 |
| 52 | 21109025 | 垫块 | block | 1 | 1 | 1 |
| 53 | S01011 | 开槽圆柱头螺钉M5×10 | Screw | 2 | 2 | 2 |
| 54 | 12110800400 | 复位圈组件 | Collar | 1 | 1 | 1 |
| 55 | 121128010 | 垫片 | Washer | 2 | 2 | 2 |
| 56 | 20703031 | 滑动轴承 | Bearing | 2 | 2 | 2 |

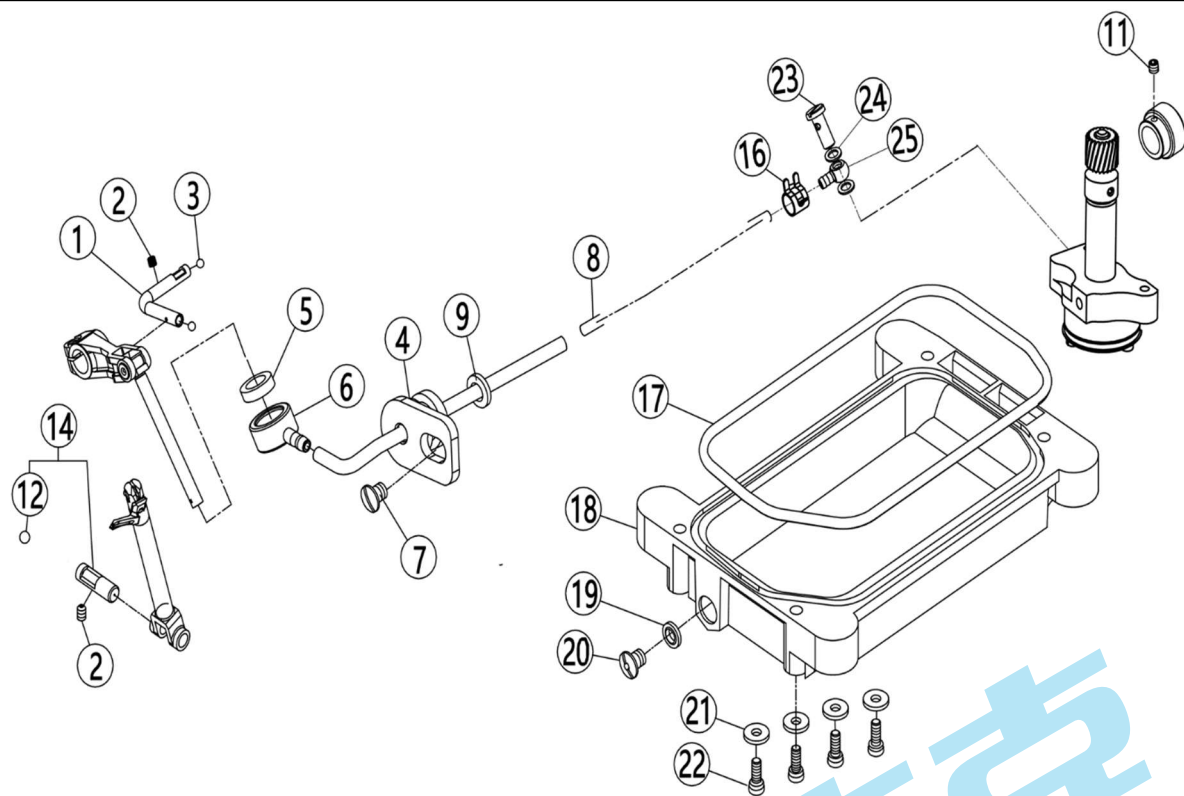
20、



二十、供油机构(1)/Lubrication Mechanism(1)

| 序号 NO. | 公司件号 Part NO. | 名称 PartName | 零件描述 Description | 数量 (Number) | | |
|--------|------------------|----------------|------------------|------------------|-----------------|-----------------|
| | | | | 三线 | 四线 | 五线 |
| | | | | three- thread | four- thread | five- thread |
| 1 | 2072000400 | 油泵组件 | Pump | 1 | 1 | 1 |
| 2 | 20725002 | 蜗轮 | Worm Wheel | 1 | 1 | 1 |
| 3 | 207S14006 | 螺钉M5×5 | Screw | 2 | 2 | 2 |
| 4 | 207S11007 | 十字槽圆柱头螺钉M4×7.5 | Screw | 2 | 2 | 2 |
| 5 | 21112028 | 接油盘 | Oil guard | 1 | 1 | 1 |
| 6 | 207S11007 | 十字槽圆柱头螺钉M4X7.5 | Screw | 3 | 3 | 3 |
| 7 | 20712035 | 滤油器盖 | Cover | 1 | 1 | 1 |
| 8 | o01028 | O型圈41X1.8 | O Ring | 1 | 1 | 1 |
| 9 | 20736004 | 滤油器 | Filter Element | 1 | 1 | 1 |
| 10 | 21101010 | 油缸 | Tank | 1 | 1 | 1 |
| 11 | 206S30009 | 过油螺钉 | Joint Screw | 4 | 4 | 4 |
| 12 | 20122033 | 垫片 | Washer | 12 | 12 | 12 |
| 13 | S04004 | 开槽圆柱头螺钉M4×13.5 | Screw | 2 | 2 | 2 |
| 14 | 21121001 | 上喷油管 | Upper screem | 1 | 1 | 1 |
| 15 | 20736007 | 油管接头 | Joint | 4 | 4 | 4 |
| 16 | 20729005 | 油管卡簧Φ8.3 | Clamp | 4 | 4 | 4 |
| 17 | 12921003 | 维尼龙油管(φ5×φ8) | Tube | 0.20m | 0.20m | 0.20m |
| 18 | S11025 | 螺钉M4×20 | Screw | 2 | 2 | 2 |
| 19 | 12921003 | 维尼龙油管(φ5×φ8) | Tube | 0.27m | 0.27m | 0.27m |
| 20 | 21111095 | 油标 | Oil sight | 1 | 1 | 1 |
| 21 | 201S30004 | S063螺钉 | Joint Screw | 1 | 1 | 1 |

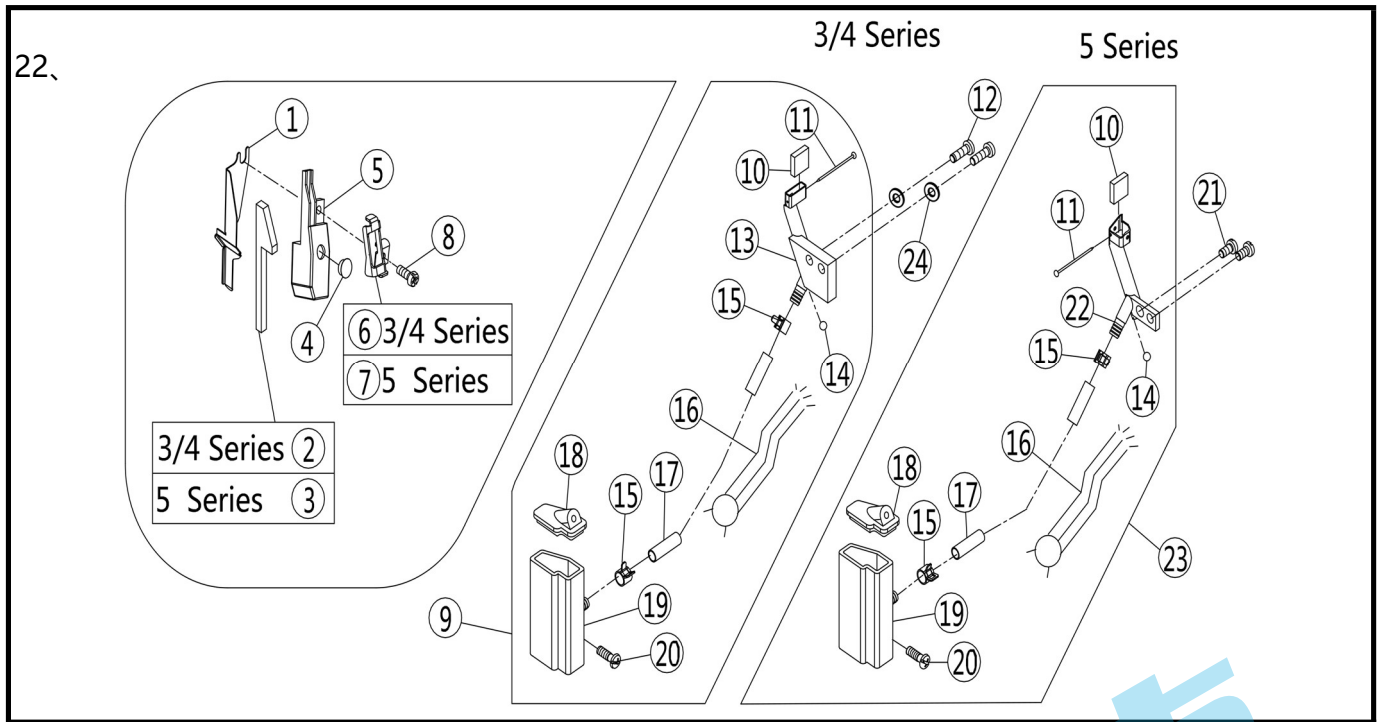
21、



二十一、供油机构(2)/Lubrication Mechanism(2)

| 序号 NO. | 公司件号 Part NO. | 名称 PartName | 零件描述 Description | 数量 (Number) | | |
|--------|------------------|--------------------|--------------------|------------------|-----------------|-----------------|
| | | | | 三线 | 四线 | 五线 |
| | | | | three- thread | four- thread | five- thread |
| 1 | 2112100200 | 过油管组件 | Pipe | 1 | 1 | 1 |
| 2 | S10007 | 内六角凹端紧定螺钉M4×4 | Screw | 2 | 2 | 2 |
| 3 | 121111004 | 橡胶塞 | Rubber plug | 2 | 2 | 2 |
| 4 | 2110101500 | 回油组件 | Oil Scraper Rubber | 1 | 1 | 1 |
| 5 | 21123001 | 油棉 | Felt | 1 | 1 | 1 |
| 6 | 21211001 | 吸油嘴 | Joint | 1 | 1 | 1 |
| 7 | 207S11019 | 开槽圆柱头螺钉M4×7.5 | Screw | 1 | 1 | 1 |
| 8 | 20721011 | 油管Φ2×Φ4 | Tube | 0,29 | 0,29 | 0,29 |
| 9 | O01016 | O型圈 6×1.8 | O Ring | 1 | 1 | 1 |
| 11 | 207S14012 | 内六角平端紧定螺钉M5×5 | Screw | 2 | 2 | 2 |
| 12 | 20709015 | 滚珠 | Rubber plug | 1 | 1 | 1 |
| 14 | 121226003 | 上弯针滑杆过油器 | Pipe Assy. | 1 | 1 | 1 |
| 16 | 20521009 | 铜油嘴 | Joint | 2 | 2 | 2 |
| 17 | 20722008 | 油盘垫 | Gasket | 1 | 1 | 1 |
| 18 | 20701058 | 油盘 | Oil Reservoir | 1 | 1 | 1 |
| 19 | 20528014 | 垫圈 | Washer | 1 | 1 | 1 |
| 20 | 207S13002 | 开槽球面螺钉SM3/8"x28x12 | Screw | 1 | 1 | 1 |
| 21 | 20628018 | 垫片 | Washer | 4 | 4 | 4 |
| 22 | 207S13009 | 内六角圆柱头螺钉M5×12 | Screw | 4 | 4 | 4 |

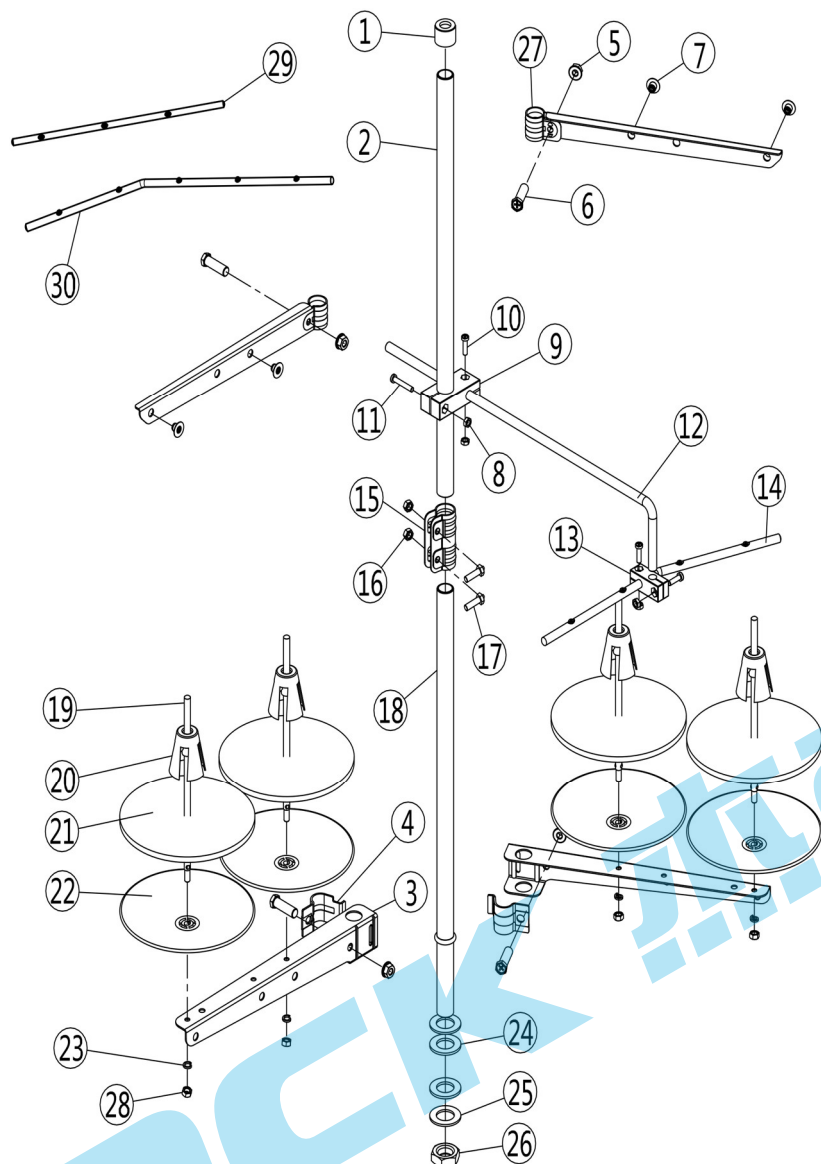
22、



二十二、HR装置机构部件/H.R.Device

| 序号 NO. | 公司件号 Part NO. | 名称 PartName | 零件描述 Description | 数量 (Number) | | |
|--------|------------------|----------------|--------------------------|------------------|-----------------|-----------------|
| | | | | 三线 | 四线 | 五线 |
| | | | | three- thread | four- thread | five- thread |
| 1 | 21212011 | 挡油板 | Cover | 1 | 1 | 1 |
| 2 | 21323002 | 上硅盒油毡 | Felt | 1 | 1 | 0 |
| 3 | 21323003 | 上硅盒油毡 | Felt | 0 | 0 | 1 |
| 4 | 21222002 | 上硅油盒盖 | Cover | 1 | 1 | 1 |
| 5 | 21211002 | 上硅油盒 | Silicone Oil Reservoir | 1 | 1 | 1 |
| 6 | 21212005 | 过线架 | Thread Guide | 1 | 1 | 0 |
| 7 | 21212006 | 过线架 | Thread Guide | 0 | 0 | 1 |
| 8 | S04060 | 十字槽盘头螺钉M4×10 | Screw | 1 | 1 | 1 |
| 9 | 2071101600 | 下硅油盒 | Silicone Oil Reservoir | 1 | 1 | 0 |
| 10 | 20723009 | 油毡 | Oil Felt | 1 | 1 | 1 |
| 11 | / | 别针 | Pin | 1 | 1 | 1 |
| 12 | 207S11008 | 开槽圆柱头螺钉M4×12 | Screw | 2 | 2 | 0 |
| 13 | 20701027 | 针线冷却器 | Needle Thread Lubricator | 1 | 1 | 0 |
| 14 | 20709014 | 滚珠 | Plug | 1 | 1 | 1 |
| 15 | 20712041 | 油管夹 | Clamp | 2 | 2 | 2 |
| 16 | 40123013 | 油线 | Oil Wick | 1 | 1 | 1 |
| 17 | 40121002 | 油管 | Tube | 1 | 1 | 1 |
| 18 | 20711017 | 下硅油盒盖 | Cover | 1 | 1 | 1 |
| 19 | 20711016 | 下硅油盒 | Silicone Oil Reservoir | 1 | 1 | 1 |
| 20 | 207S30003 | 组合螺钉M4×12 | Screw | 1 | 1 | 1 |
| 21 | 207S11007 | 十字槽圆柱头螺钉M4×7.5 | Screw | 0 | 0 | 2 |
| 22 | 20701038 | 针线冷却器 | Needle Thread Lubricator | 0 | 0 | 1 |
| 23 | 2070103000 | 下硅油盒组件A | Silicone Oil Reservoir | 0 | 0 | 1 |
| 24 | 20612062 | 油管螺钉垫圈 | Washer | 2 | 2 | 0 |

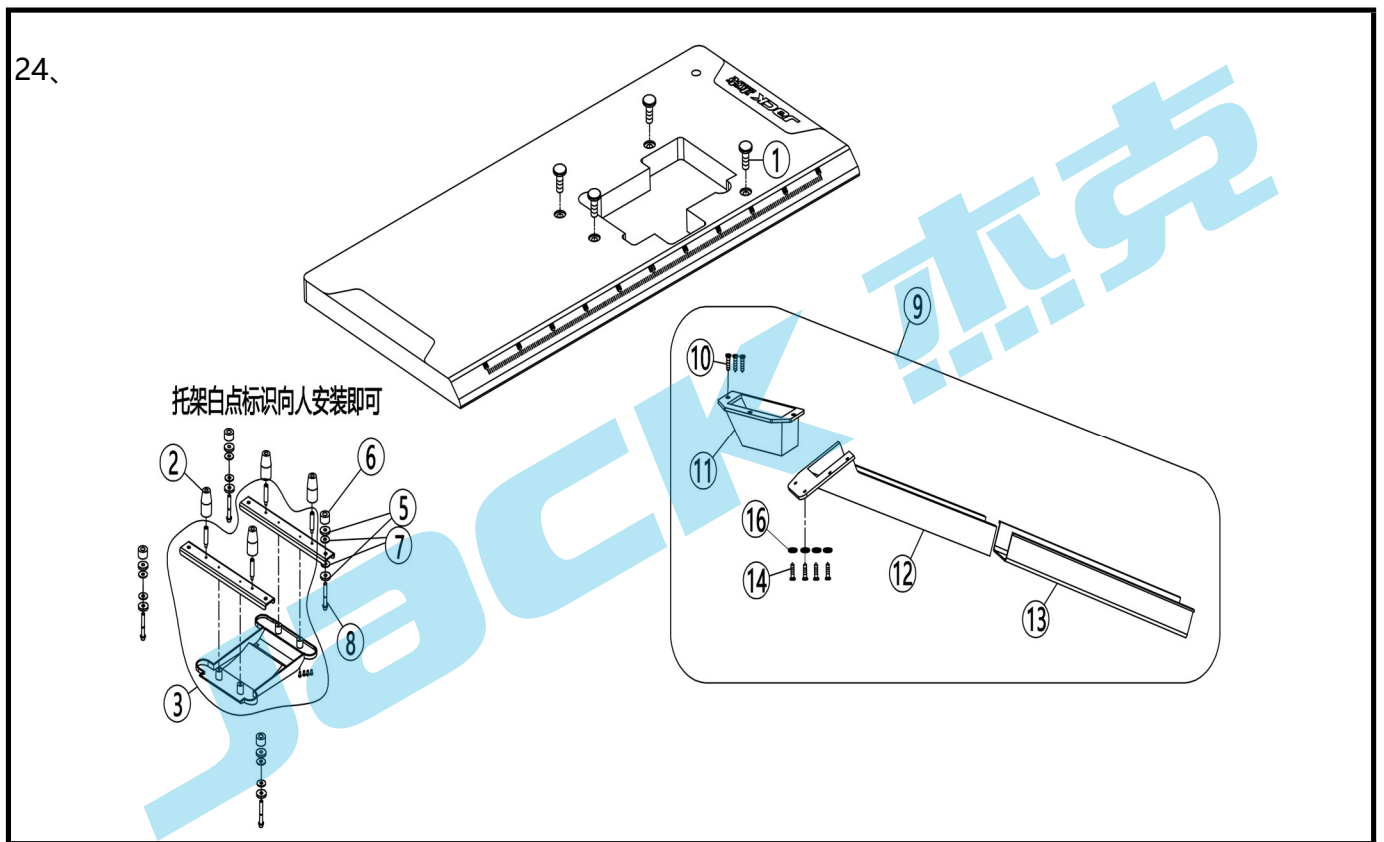
23、



二十三、线架部件/Thread Stand

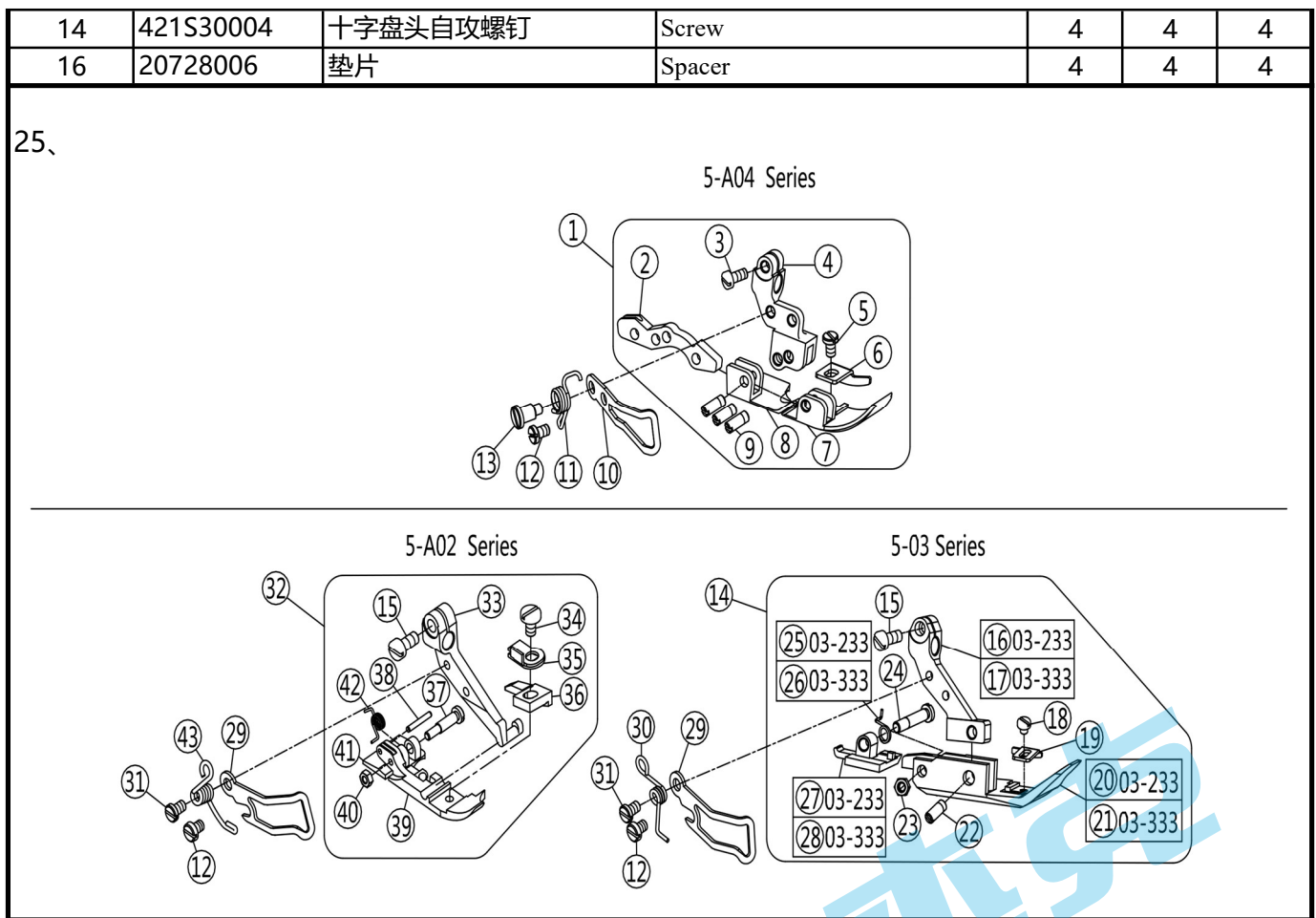
| 序号 NO. | 公司件号 Part NO. | 名称 PartName | 零件描述 Description | 数量 (Number) | | |
|--------|------------------|---------------|---------------------------|------------------|-----------------|-----------------|
| | | | | 三线 | 四线 | 五线 |
| | | | | three- thread | four- thread | five- thread |
| 1 | 20131019 | 棒帽 | Rod cap | 1 | 1 | 1 |
| 2 | 121131009 | 上管 | Upper thread column | 1 | 1 | 1 |
| 3 | 21131009 | 导线架(短) | Thread spool tray bracket | 2 | 2 | 2 |
| 4 | 21131011 | 导线环 | Thread guide hook | 2 | 2 | 2 |
| 5 | 201S16006 | 导线环螺母 | Thread guide hook nut | 4 | 4 | 4 |
| 6 | 20131020 | 导线环螺钉 | Screw | 4 | 4 | 4 |
| 7 | 20131018 | 过线环 | Thread guide hook | 3 | 4 | 5 |
| 8 | 201S16004 | 螺母 | Nut | 4 | 4 | 4 |
| 9 | 21131010 | 导线棒固定块 | Clamp plate | 1 | 1 | 1 |
| 10 | 20131021 | 棒架螺钉 | Screw | 3 | 3 | 3 |
| 11 | 20131022 | 棒架螺钉 | Screw | 1 | 1 | 1 |
| 12 | 21131007 | 导线棒 | Thread guide bar | 1 | 1 | 1 |
| 13 | 21131013 | 导线棒固定块 | Thread guide joint | 1 | 1 | 1 |
| 14 | 20131014 | 过线棒 | Thread guide | 0 | 1 | 0 |
| 15 | 21131014 | 套 | Bushing | 1 | 1 | 1 |
| 16 | N01030 | 套螺母M5 | Nut | 2 | 2 | 2 |
| 17 | S04050 | 十字槽六角头螺栓M5×16 | Screw | 2 | 2 | 2 |
| 18 | 21131018 | 下管 | Lower thread cloumn | 1 | 1 | 1 |

| | | | | | | |
|----|------------|--------|---------------------------|---|---|--------|
| 19 | 20131006 | 线托棒 | Spool pin | 3 | 4 | 5 |
| 20 | 21131015 | 线圈定位套 | Spool Cushion | 3 | 4 | 5 |
| 21 | 20131010 | 线盘垫 | Spool tray cushioning | 3 | 4 | 5 |
| 22 | 21131016 | 线盘 | Spool tray | 3 | 4 | 5 |
| 23 | 20128018 | 线盘垫圈 | Washer | 3 | 4 | 5 |
| 24 | 20122049 | 橡胶垫圈 | Plate dog link washer | 2 | 2 | 2 |
| 25 | 121128003 | 下管垫圈 | Lower washer | 2 | 2 | 2 |
| 26 | 201S16005 | 下管固定螺母 | Nut | 1 | 1 | 1 |
| 27 | 121131007 | 过线架(短) | Thread spool tray bracket | 2 | 2 | 2 |
| 28 | N01114 | 套螺母 | Nut | 3 | 4 | 5 |
| 29 | 20131050 | 过线棒 | Thread guide | 1 | 0 | 0 |
| 30 | 20131036 | 过线棒 | Thread guide | 0 | 0 | 1 |
| 31 | 2113101700 | 线架组件 | Thread stand component | 1 | 0 | 0 |
| 31 | 2113101800 | 线架组件 | Thread stand component | 0 | 1 | 0 |
| 31 | 2113101900 | 线架组件 | Thread stand component | 0 | 0 | 1 |
| 31 | 2113102700 | 线架组件 | Thread stand component | 0 | 0 | 1 (六线) |



二十四、托盘部件/Part For Semi-Submerged Installation

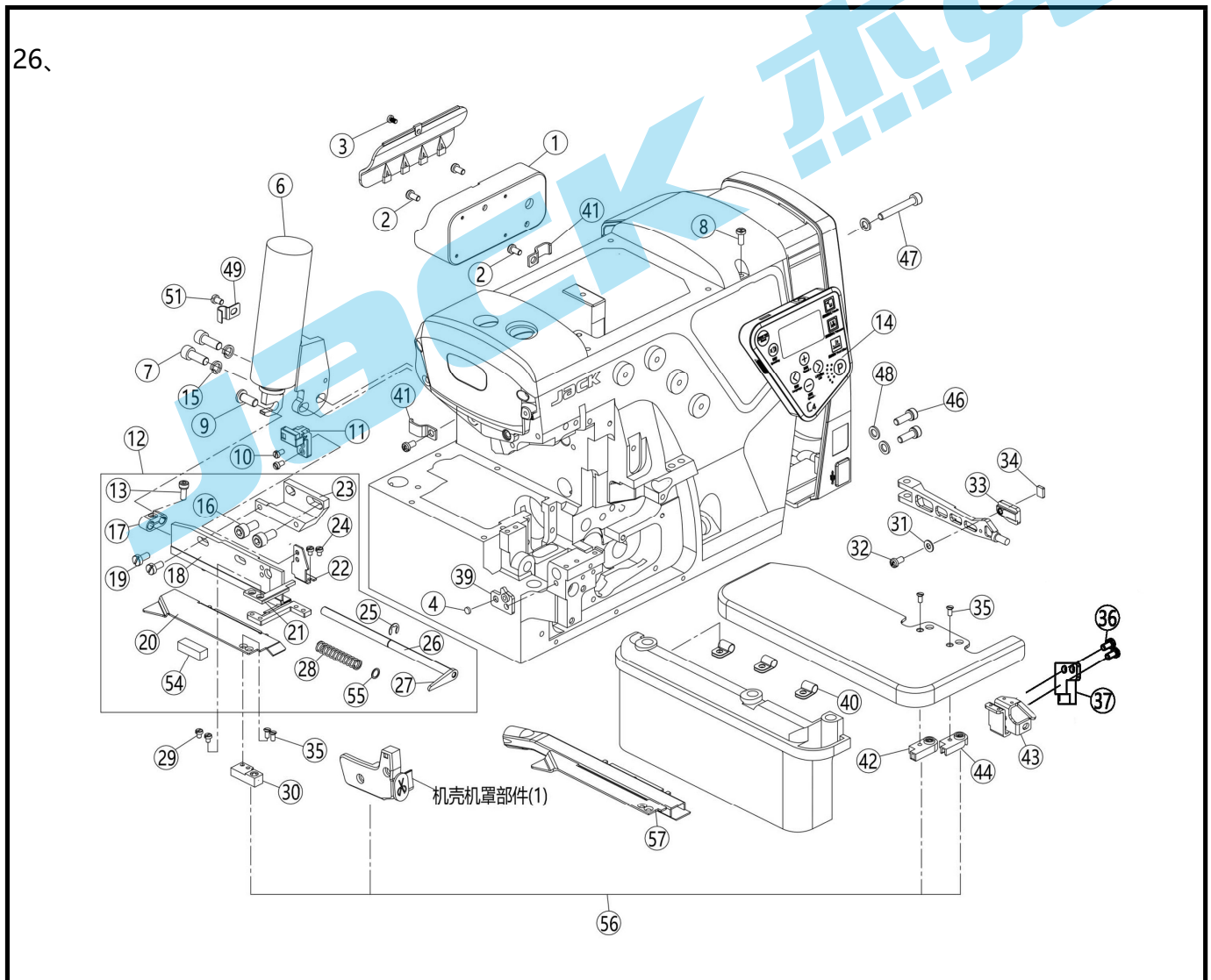
| 序号 NO. | 公司件号 Part NO. | 名称 PartName | 零件描述 Description | 数量 (Number) | | |
|--------|------------------|-------------|-------------------|------------------|-----------------|-----------------|
| | | | | 三线 | 四线 | 五线 |
| | | | | three- thread | four- thread | five- thread |
| 1 | 20131028 | 托盘固定螺母 | Nut | 4 | 4 | 4 |
| 2 | 20722018 | 托盘防震连接垫 | Cushion Rubber | 4 | 4 | 4 |
| 3 | 12111103800 | 托盘组件 | oil pan | 1 | 1 | 1 |
| 5 | 30122031 | 减震垫圈 | Spring Washer | 8 | 8 | 8 |
| 6 | 20131030 | 防震套 | Washer | 4 | 4 | 4 |
| 7 | 20131029 | 大垫圈 | Spacer | 8 | 8 | 8 |
| 8 | 20131027 | 托盘内六角螺钉 | Screw | 4 | 4 | 4 |
| 9 | 2123100400 | 落料斗组件 | Waste Chute Assy. | 1 | 1 | 1 |
| 10 | 20131034 | 排料槽座螺钉 | Screw | 7 | 7 | 7 |
| 11 | 21231005 | 排料槽座 | Screw | 1 | 1 | 1 |
| 12 | 20131032 | 排料槽 I | Waste Chute | 1 | 1 | 1 |
| 13 | 21231007 | 排料槽 II | Waste Chute | 1 | 1 | 1 |



二十五、专用零件/Specific Parts

| 序号 NO. | 公司件号 Part NO. | 名称 PartName | 零件描述 Description | 数量 (Number) | | |
|--------|------------------|----------------------|--------------------|------------------|-----------------|-----------------|
| | | | | 三线 | 四线 | 五线 |
| | | | | three- thread | four- thread | five- thread |
| 1 | 2061604000 | 压脚组件 | Presser Foot Assy. | 0 | 0 | 1 |
| 2 | 20616042 | 压脚连接件 | Connection | 0 | 0 | 1 |
| 3 | S01029 | 开槽圆柱头螺钉M3.5×7.5 | Screw | 0 | 0 | 1 |
| 4 | 20616041 | 压脚架 | Pin | 0 | 0 | 1 |
| 5 | 101S11006 | 支针螺钉SM1/8×44 | Screw | 0 | 0 | 1 |
| 6 | 20714051 | 护料压板 | Fabric Guard | 0 | 0 | 1 |
| 7 | 20701054 | 压脚底板 | Baseboard | 0 | 0 | 1 |
| 8 | 20701055 | 小压脚底板 | Baseboard | 0 | 0 | 1 |
| 9 | 208S20002 | 销 | Pin | 0 | 0 | 3 |
| 10 | 20712052 | 压脚挡片 | Finger Guard | 0 | 0 | 1 |
| 11 | 20719053 | 压脚弹簧 | Spring | 0 | 0 | 1 |
| 12 | 207S11020 | 开槽圆柱头螺钉M3×4 | Screw | 0 | 0 | 1 |
| 13 | 207S20010 | 开槽圆柱头轴位螺钉 | Screw | 0 | 0 | 1 |
| 14 | xxxxxxx | 压脚组件 | Presser Foot Assy. | 0 | 0 | 1 |
| 15 | 207S11038 | 开槽圆柱头螺钉SM9/64"X40X7 | Screw | 0 | 0 | 1 |
| 16 | 20716063 | 压脚架 | Rack | 0 | 0 | 1 |
| 17 | 20716100 | 压脚架 | 10.1 | 0 | 0 | 1 |
| 18 | 207S11034 | 开槽圆柱头螺钉SM3/32×56×2.3 | Screw | 0 | 0 | 1 |
| 19 | 20716064 | 辅助压脚 | Fabric Guard | 0 | 0 | 1 |
| 20 | 20716061 | 压脚底板 | Baseboard | 0 | 0 | 1 |
| 21 | 20716065 | 压脚底板 | Baseboard | 0 | 0 | 1 |
| 22 | 207S20022 | 销 | Pin | 0 | 0 | 1 |
| 23 | 207S16011 | 螺母 | Nut | 0 | 0 | 1 |
| 24 | 207S20021 | 开槽圆柱头螺钉SM1/8"X44X5 | Screw | 0 | 0 | 1 |
| 25 | 20727011 | 压脚弹簧 | Spring | 0 | 0 | 1 |
| 26 | 20727012 | 压脚弹簧 | Spring | 0 | 0 | 1 |

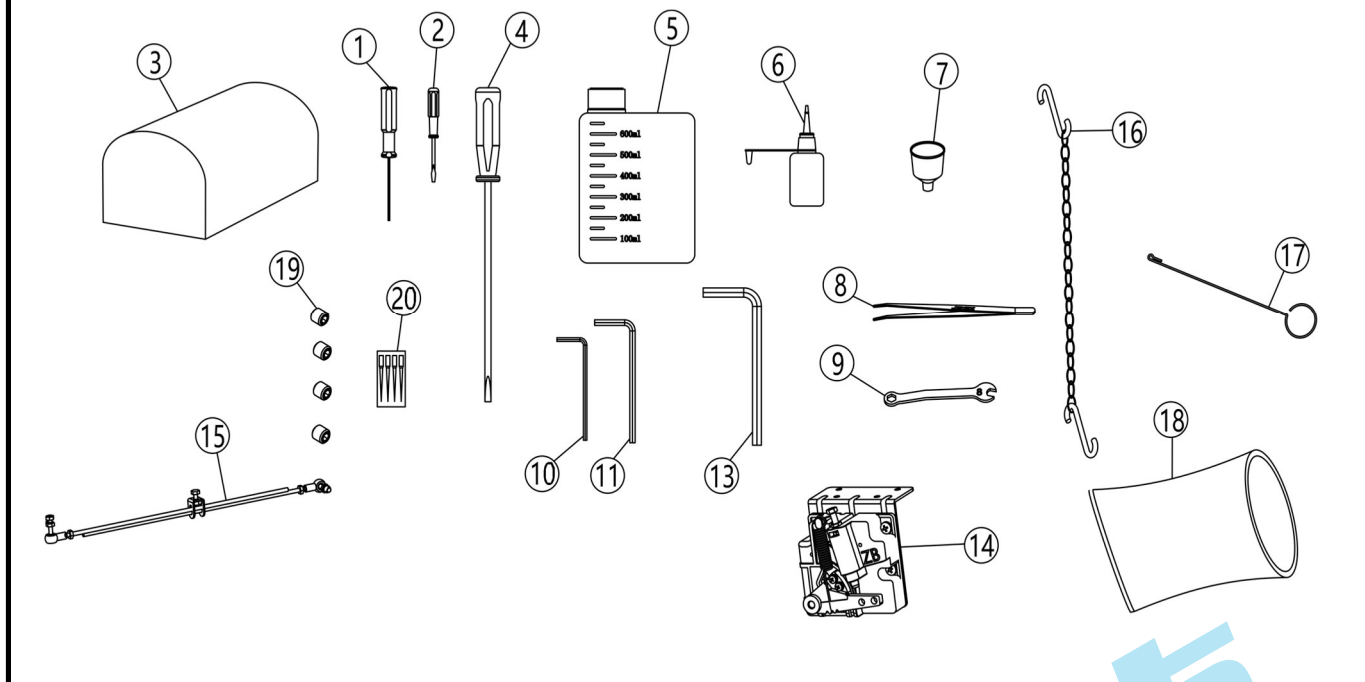
| | | | | | | |
|----|-------------|---------------|--------------------|---|---|---|
| 27 | 20716062 | 小压脚 | Baseboard | 0 | 0 | 1 |
| 28 | 20716066 | 小压脚 | Baseboard | 0 | 0 | 1 |
| 29 | 20712026 | 压脚护手 | Finger Guard | 0 | 0 | 1 |
| 30 | 20715057 | 压脚弹簧 | Spring | 0 | 0 | 1 |
| 31 | 207S11009 | 开槽圆柱头螺钉M3×4.5 | Screw | 0 | 0 | 1 |
| 32 | 12121601200 | 压脚组件 | Presser Foot Assy. | 0 | 0 | 1 |
| 33 | 20716082 | 压脚架 | Screw | 0 | 0 | 1 |
| 34 | 207S11051 | 螺钉 | Screw | 0 | 0 | 1 |
| 35 | 20716092 | 压脚板簧 | Plate Spring | 0 | 0 | 1 |
| 36 | 20716081 | 压脚爪 | Presser Foot | 0 | 0 | 1 |
| 37 | 207S30005 | 轴位螺钉 | Pin | 0 | 0 | 1 |
| 38 | P01025 | 销 | Pin | 0 | 0 | 1 |
| 39 | 20716079 | 压脚底板 | Baseboard | 0 | 0 | 1 |
| 40 | 207S16012 | 螺母 | Nut | 0 | 0 | 1 |
| 41 | 20716080 | 小压脚底板 | Baseboard | 0 | 0 | 1 |
| 42 | 20727014 | 弹簧 | Spring | 0 | 0 | 1 |
| 43 | 20727050 | 压脚弹簧 | Spring | 0 | 0 | 1 |



二十六、专用零件/Specific Parts

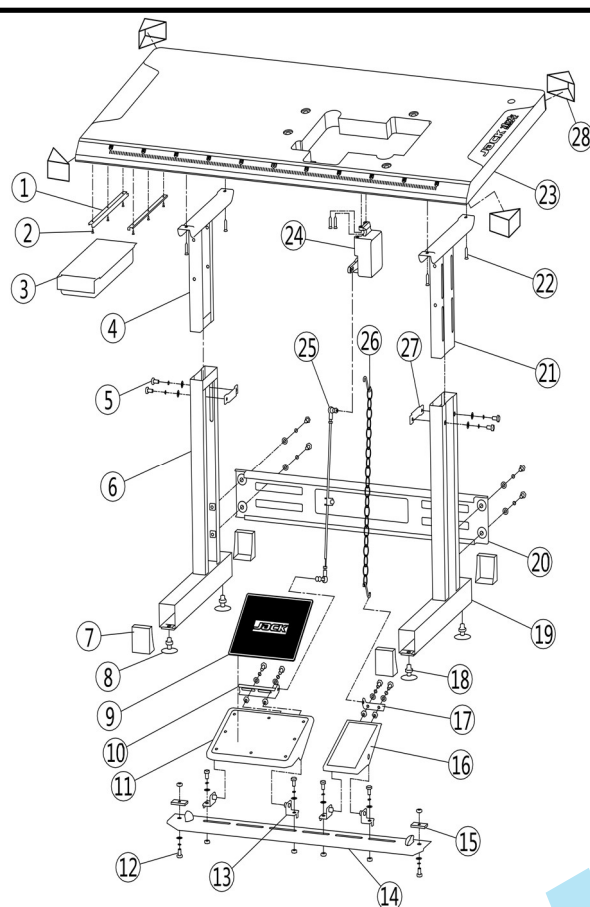
| 序号 NO. | 公司件号 Part NO. | 名称 PartName | 零件描述 Description | 数量 (Number) | | |
|--------|------------------|-------------|------------------|------------------|-----------------|-----------------|
| | | | | 三线 | 四线 | 五线 |
| | | | | three- thread | four- thread | five- thread |
| | | | | | | |

| | | | | | | |
|----|-------------|-----------------------|--------------------------------------|---|---|---|
| 1 | 2111107400 | 接线盒组件 | Interconnecting device | 1 | 1 | 1 |
| 2 | 207S11007 | 十字槽圆柱头螺钉M4×7.5 | Screw | 4 | 4 | 4 |
| 3 | ----- | 螺钉M3×5 | Screw | 1 | 1 | 1 |
| 4 | 30130017 | 磁铁 | Magnetic Iron | 1 | 1 | 1 |
| 6 | 12144700100 | 电磁铁组件 | electromagnet assembly | 1 | 1 | 1 |
| 7 | 207S11026 | 螺钉M6×16 | Screw | 2 | 2 | 2 |
| 8 | S04060 | 十字槽盘头螺钉M4×10 | Screw | 1 | 1 | 1 |
| 9 | 20726201 | 销 | Pin | 1 | 1 | 1 |
| 10 | S01027 | 开槽圆柱头螺钉M3×6 | Screw | 2 | 2 | 2 |
| 11 | 2113000300 | 压脚安全开关组件 | Cloth plate assembly | 1 | 1 | 1 |
| 12 | 12111105500 | 自动剪线组件 | Cutter Assembly | 1 | 1 | 1 |
| 13 | S05048 | 内六角圆柱头螺钉M4×10 | Screw | 1 | 1 | 1 |
| 14 | 2111102800 | 操作面板组件 | Operation Panel | 1 | 1 | 1 |
| 15 | W02004 | 弹簧垫圈6 | Washer | 2 | 2 | 2 |
| 16 | S05232 | 螺钉M6X12 | Screw | 2 | 2 | 2 |
| 17 | 20704050 | 刀组连接曲柄 | Crank | 1 | 1 | 1 |
| 18 | 20712082 | 刀组固定座 | The fixed seat | 1 | 1 | 1 |
| 19 | 101S11011 | 旋梭定位钩螺钉SM11/64×40×9.5 | Screw | 2 | 2 | 2 |
| 20 | 20712083 | 缝台挡料板 | Gear plate | 1 | 1 | 1 |
| 21 | 20719004 | 定刀 | Constant seat | 1 | 1 | 1 |
| 22 | 121112043 | 挡料板 | Gear plate | 1 | 1 | 1 |
| 23 | 20709106 | 切刀固定座 | Bracket | 1 | 1 | 1 |
| 24 | 207S11020 | 开槽圆柱头螺钉M3×4 | Screw | 2 | 2 | 2 |
| 25 | 20629007 | 卡簧 | Circlip | 1 | 1 | 1 |
| 26 | 20702070 | 上刀轴 | Knife shaft | 1 | 1 | 1 |
| 27 | 20719003 | 自动剪线动刀 | The knife | 1 | 1 | 1 |
| 28 | 20727020 | 弹簧 | Spring | 1 | 1 | 1 |
| 29 | 207S11020 | 开槽圆柱头螺钉M3×4 | Screw | 2 | 2 | 2 |
| 30 | 21130303 | 第三接收传感器 | Back emission | 1 | 1 | 1 |
| 31 | 20612062 | 油管螺钉垫圈 | Washer | 1 | 1 | 1 |
| 32 | 207S11007 | 十字槽圆柱头螺钉M4X7.5 | Screw | 1 | 1 | 1 |
| 33 | 21111006 | 磁铁固定块 | Bracket | 1 | 1 | 1 |
| 34 | 21101203 | 压脚臂磁铁 | Magnetic Iron | 1 | 1 | 1 |
| 35 | S02007 | 开槽沉头螺钉M3×5.4 | Screw | 4 | 4 | 4 |
| 36 | 207S11007 | 十字槽圆柱头螺钉M4X7.5 | Screw | 2 | 2 | 2 |
| 37 | 12113009500 | 缝台安全开关 | Cloth plate assembly | 1 | 1 | 1 |
| 39 | 121109010 | 下刀座挡板 | Bracket | 1 | 1 | 1 |
| 40 | 20629003 | 过线管夹 | Tubing clamps | 3 | 3 | 3 |
| 41 | 12912327 | 电线固定夹 | Tubing clamps | 2 | 2 | 2 |
| 42 | 21130302 | 后接收传感器组件 | Receiver Attachmnet(back) | 1 | 1 | 1 |
| 43 | 121112014 | 锁紧板架 | Bracket | 1 | 1 | 1 |
| 44 | 21130301 | 前接收装置 | Receiver Attachmnet(front) | 1 | 1 | 1 |
| 46 | 207S13009 | 内六角圆柱头螺钉M5×12 | Screw | 2 | 2 | 2 |
| 47 | 136S13001 | 内六角圆柱头螺钉M5×35 | Screw | 1 | 1 | 1 |
| 48 | 20128021 | W12垫圈 | Washer | 3 | 3 | 3 |
| 49 | 121112054 | 过线板压板 | Washer | 1 | 1 | 1 |
| 51 | 403S11051 | 复合槽圆柱头螺钉M4×6 | Screw | 1 | 1 | 1 |
| 54 | 20722016 | 支撑垫 | Cushion | 1 | 1 | 1 |
| 55 | 121128007 | 垫圈 | Washer | 1 | 1 | 1 |
| 56 | 12111102100 | 感应器组件 | Induction machine assy | 1 | 1 | 1 |
| 57 | 12111206100 | 吸风刀挡板组件 | Baffle assembly of suction and knife | 1 | 1 | 1 |



二十七、随机附件部分/ Accessories Assemblies

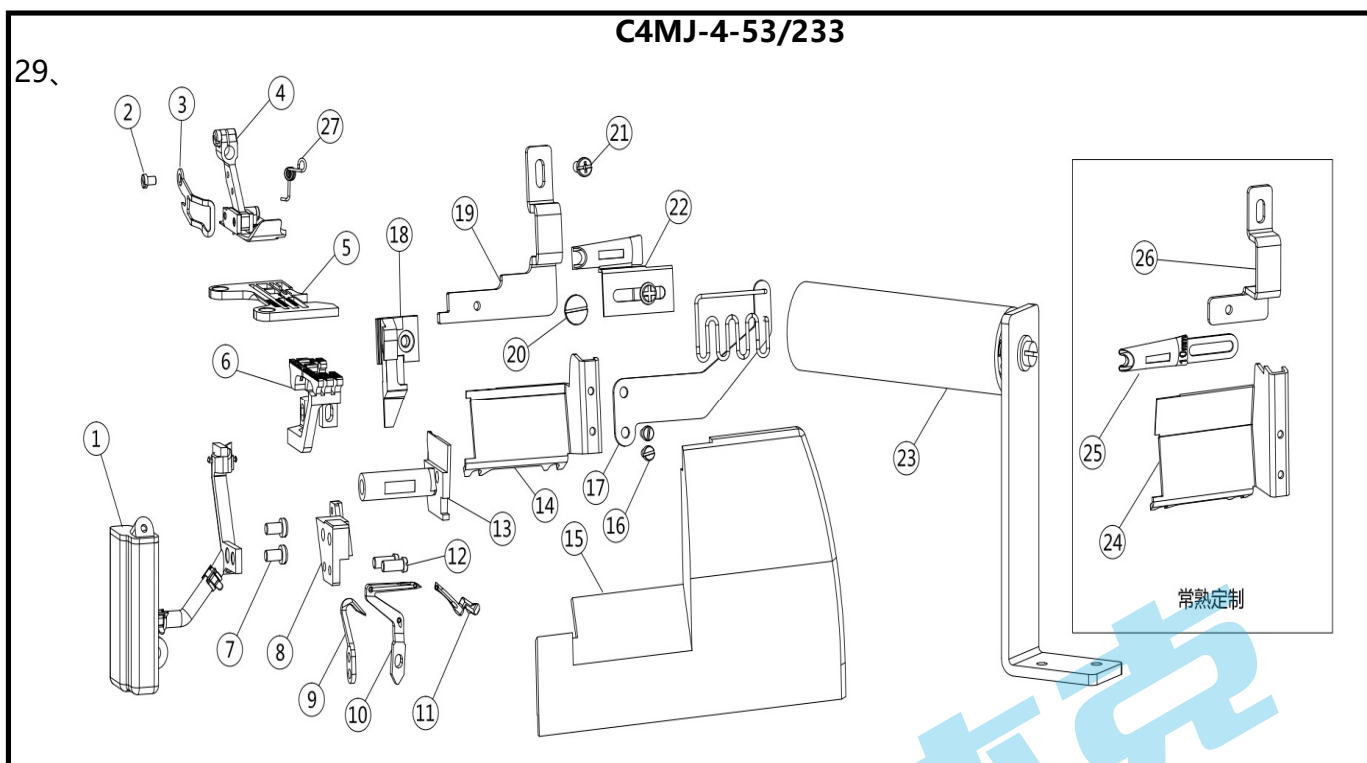
| 序号 NO. | 公司件号 Part NO. | 名称 PartName | 零件描述 Description | 数量 (Number) | | |
|--------|------------------|--------------------|--------------------------|------------------------|-----------------------|-----------------------|
| | | | | 三线 three- thread | 四线 four- thread | 五线 five- thread |
| 1 | 20131044 | 直柄内六角螺丝刀 (1.5mm) | Hexagonal wrench/1,5mm | 1 | 1 | 1 |
| 2 | 10131004 | 螺丝刀 (小) | Screwdriver (S) | 1 | 1 | 1 |
| 3 | 121131002 | 机头罩 | Machine head cover | 1 | 1 | 1 |
| 4 | 20731047 | 螺丝刀 (大) | screw driver (L) | 1 | 1 | 1 |
| 5 | 20131037 | JK-795-1902油壶 | Oil Bag | 1 | 1 | 1 |
| 6 | 20131048 | 小油壶 (尖嘴) | Oil container | 1 | 1 | 1 |
| 7 | 20131039 | 漏斗 | Tundish | 1 | 1 | 1 |
| 8 | 20131051 | 镊子(JACK) | Tweezers | 1 | 1 | 1 |
| 9 | 20131043 | JK795-1908扳手 (8mm) | Wrench/8mm | 1 | 1 | 1 |
| 10 | 20131046 | 内六角扳手 (2mm) | Hexagonal wrench/2mm | 1 | 1 | 1 |
| 11 | 30131012 | 内六角扳手 (3mm) | Hexagonal wrench/4mm | 1 | 1 | 1 |
| 13 | 20131056 | 内六角扳手 (5mm) | Hexagonal wrench/6mm | 1 | 1 | 1 |
| 14 | 12113012300 | 调速器 | Controller | 1 | 1 | 1 |
| 15 | 11543100300 | 拉杆组件 | Pull rod | 1 | 1 | 1 |
| 16 | 20131054 | JK795-1919脚踏板链 | Chain | 1 | 1 | 1 |
| 17 | 20131052 | 线勾 | Needle threader | 0 | 0 | 1 |
| 18 | 20131062 | 机头塑料袋 | Plastic machine head bag | 1 | 1 | 1 |
| 19 | S10005 | 螺钉 | Screw | 4 | 4 | 4 |
| 20 | 见标准零件表 | 机针 | Needle | 4 | 4 | 4 |



二十八、机架部件/machine stand table assy

| 序号 NO. | 公司件号 Part NO. | 名称 PartName | 零件描述 Description | 数量 (Number) | | |
|--------|------------------|--------------|-----------------------------|------------------------|-----------------------|-----------------------|
| | | | | 三线 three- thread | 四线 four- thread | 五线 five- thread |
| 1 | 13832113 | 零件导轨 | Drawer slider | 2 | 2 | 2 |
| 2 | S18002 | 螺钉 | Screw | 6 | 6 | 6 |
| 3 | 13832114 | 零件盒 | Plastic drawer | 1 | 1 | 1 |
| 4 | 1383211500 | 机架上节左 | Upper stand (left) | 1 | 1 | 1 |
| 5 | S15001 | M8*11螺栓垫圈组合件 | Bolt washer assembly M8*11 | 12 | 12 | 12 |
| 6 | 1383211200 | 机架下节左 | Lower stand (left) | 1 | 1 | 1 |
| 7 | 13832104 | 机架座套 | Rubber cover | 4 | 4 | 4 |
| 8 | 10132016 | 支座 | Stand height adjusting base | 4 | 4 | 4 |
| 9 | 13832105 | 脚踏板垫 (大) | Large pedal pad cushion | 1 | 1 | 1 |
| 10 | 13832110 | 踏板连接件 (大) | Large pedal bracket | 1 | 1 | 1 |
| 11 | 13832106 | 脚踏板 (大) | Large pedal pad | 1 | 1 | 1 |
| 12 | L02075 | M8x16螺栓垫圈组合件 | Bolt washer assembly M6*11 | 2 | 2 | 2 |
| 13 | 1383210700 | 踏板固定件 | Pedal bracket | 4 | 4 | 4 |
| 14 | 13832108 | 踏板安装板 | Lower bar | 1 | 1 | 1 |
| 15 | 13832116 | 踏板安装板固定板 | Bolt plate | 2 | 2 | 2 |
| 16 | 21232001 | 脚踏板 (小) | Small pedal | 1 | 1 | 1 |
| 17 | 20112126 | 踏板连接件 (小) | Small pedal bracket | 1 | 1 | 1 |
| 18 | N01010 | 螺母 | Nut | 4 | 4 | 4 |
| 19 | 1383210300 | 机架下节右 | Lower stand(right) | 1 | 1 | 1 |
| 20 | 13832111 | 机架连接板 | Front bar | 1 | 1 | 1 |
| 21 | 1383210100 | 机架上节右 | Upper stand (right) | 1 | 1 | 1 |
| 22 | S18001 | 螺钉 | Screw | 6 | 6 | 6 |
| 23 | xxxxxxxx | 台板 | Table | 1 | 1 | 1 |
| 24 | xxxxxxxx | 变速器 | Transmission | 1 | 1 | 1 |
| 25 | 2011111300 | 拉杆组件 | Motor connecting rod | 1 | 1 | 1 |
| 26 | 2013105400 | 脚踏板链组件 | Pedal chain components | 1 | 1 | 1 |
| 27 | 13832102 | 机架固定板 | Bolt plate | 2 | 2 | 2 |

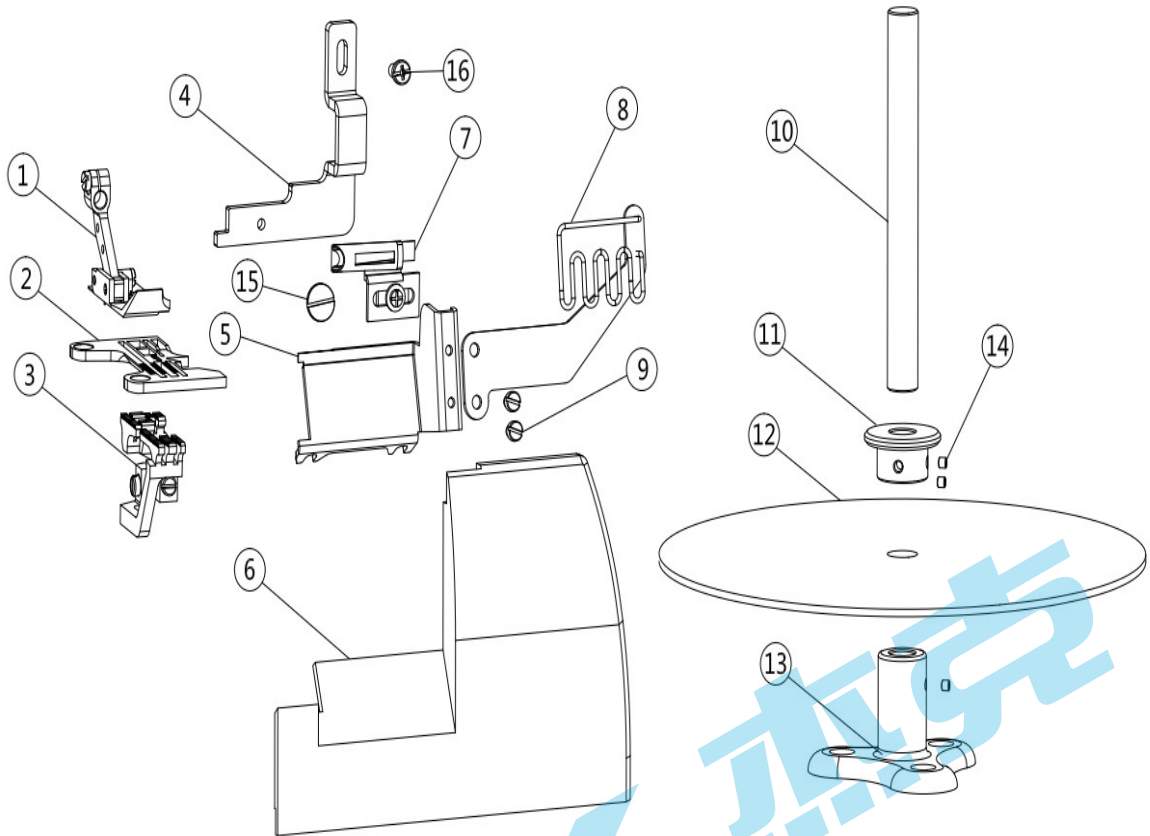
| | | | | | | |
|----|----------|------|-------------|---|---|---|
| 28 | 13832129 | 台板护套 | Table cover | 4 | 4 | 4 |
|----|----------|------|-------------|---|---|---|



二十九、毛巾机专用件/Specific Parts

| 序号 NO. | 公司件号 Part NO. | 名称 PartName | 零件描述 Description | 数量 (Number) | | |
|--------|------------------|----------------|------------------------|------------------------|-----------------------|-----------------------|
| | | | | 三线 three- thread | 四线 four- thread | 五线 five- thread |
| 1 | 2070103000 | 下硅油盒组件A | Silicone Oil Reservoir | / | 1 | / |
| 2 | 207S11009 | 开槽圆柱头螺钉M3×4.5 | Regulator Plate | / | 1 | / |
| 3 | 20712026 | 压脚护手 | Finger Guard | / | 1 | / |
| 4 | 12121601700 | 压脚组件(毛巾机) | Presser Foot Assy | / | 1 | / |
| 5 | 20715088 | 针板(毛巾机) | Needle Plate | / | 1 | / |
| 6 | 2071402500 | 牙齿组件 | Main Feed Dog Complete | / | 1 | / |
| 7 | 207S11007 | 十字槽圆柱头螺钉M4X7.5 | Screw | / | 2 | / |
| 8 | 20701033 | 托架 | Bracket | / | 1 | / |
| 9 | 20717002 | 护针(后) | Needle Guard | / | 1 | / |
| 10 | 20717023 | 下弯针(MJ) | Lower Looper | / | 1 | / |
| 11 | 20717022 | 上弯针(MJ) | Upper Looper | / | 1 | / |
| 12 | 207s11003 | 螺丝M4X10 | Screw | / | 2 | / |
| 13 | 20701037 | 下刀架 | Lower Knife Holder | / | 1 | / |
| 14 | 21212020 | 左前盖(包布/毛巾机) | Front Cover(left) | / | 1 | / |
| 15 | 303800 | 右前盖(毛巾机)(喷漆) | Front Cover(right) | / | 1 | / |
| 16 | 207S11014 | 开槽圆柱头螺钉M3.5×4 | Screw | / | 2 | / |
| 17 | 20713057 | 过带导向 | Tape Guide | / | 1 | / |
| 18 | 20701036 | 上刀座 | Upper Knife Clamp | / | 1 | / |
| 19 | 21212014 | 卷具固定板(包布/毛巾机) | Binder Guide | / | 1 | / |
| 20 | 206S11012 | 开槽圆柱头螺钉M4×5.5 | Screw | / | 1 | / |
| 21 | 207S11007 | 十字槽圆柱头螺钉M4X7.5 | Screw | / | 1 | / |
| 22 | 20712057 | 卷边器(10) | Binder(10) | / | 1 | / |
| 23 | 2071104100 | 布条滚筒组件 | Roller assembly | / | 1 | / |
| 24 | 121212005 | 左前盖(毛巾机) | Front Cover(left) | / | 1 | / |
| 25 | 121212007 | 卷边器(10mm) | Binder(10) | / | 1 | / |
| 26 | 121212006 | 卷具固定座(毛巾机) | Binder Guide | / | 1 | / |
| 27 | 20715057 | 压脚弹簧 | Spring | / | 1 | / |

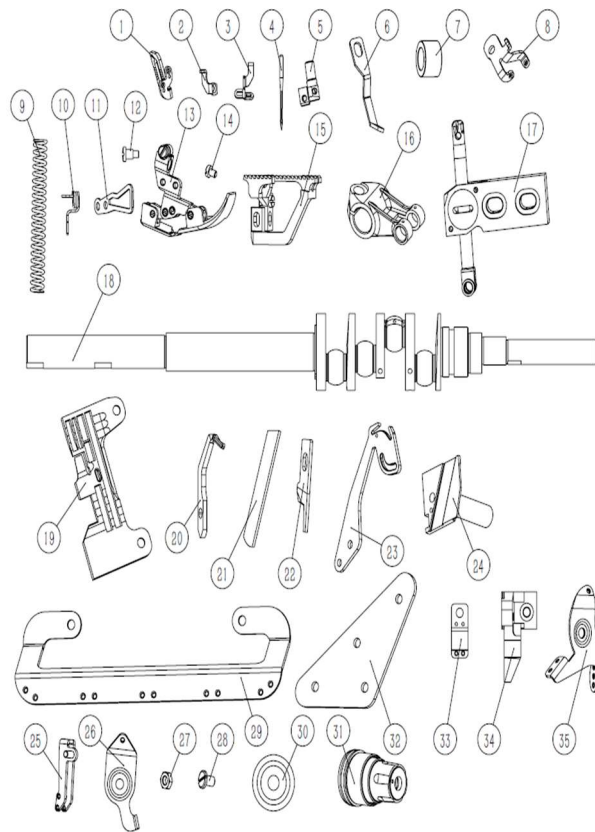
30、



三十、包布条专用件/Specific Parts

| 序号 NO. | 公司件号 Part NO. | 名称 PartName | 零件描述 Description | 数量 (Number) | | |
|--------|------------------|---------------|------------------------|------------------------|-----------------------|-----------------------|
| | | | | 三线 three- thread | 四线 four- thread | 五线 five- thread |
| 1 | 12121601400 | (五线滚边带)压脚组件 | Presser Foot Assy | / | 1 | / |
| 2 | 20715044 | (五线滚边带)针板 | Needle Plate | / | 1 | / |
| 3 | 2071401800 | (五线滚边带)牙齿组件 | Main Feed Dog Complete | / | 1 | / |
| 4 | 21212014 | 卷具固定板(包布/毛巾机) | Binder Guide | / | 1 | / |
| 5 | 21212020 | 左前盖(包布/毛巾机) | Front Cover(left) | / | 1 | / |
| 6 | 303800 | 包布/毛巾机右前盖(喷漆) | Front Cover(right) | / | 1 | / |
| 7 | 20712058 | 卷边器(8) | Binder(8) | / | 1 | / |
| 8 | 20713057 | 过带导向 | Tape Guide | / | 1 | / |
| 9 | 207S11014 | 开槽圆柱头螺钉M3.5×4 | Screw | / | 2 | / |
| 10 | 20531041 | 轴 | Shaft | / | 1 | / |
| 11 | 20531042 | 紧圈 | Straining ring | / | 1 | / |
| 12 | 20531043 | 带子托盘 | Tray | / | 1 | / |
| 13 | 20531009 | 带子架座 | Bracket | / | 1 | / |
| 14 | S10005 | 内六角凹端紧定螺钉M3×3 | Screw | / | 3 | / |
| 15 | 206S11012 | 开槽圆柱头螺钉M4×5.5 | Screw | / | 1 | / |
| 16 | S04060 | 十字槽盘头螺钉M4×10 | Screw | / | 1 | / |

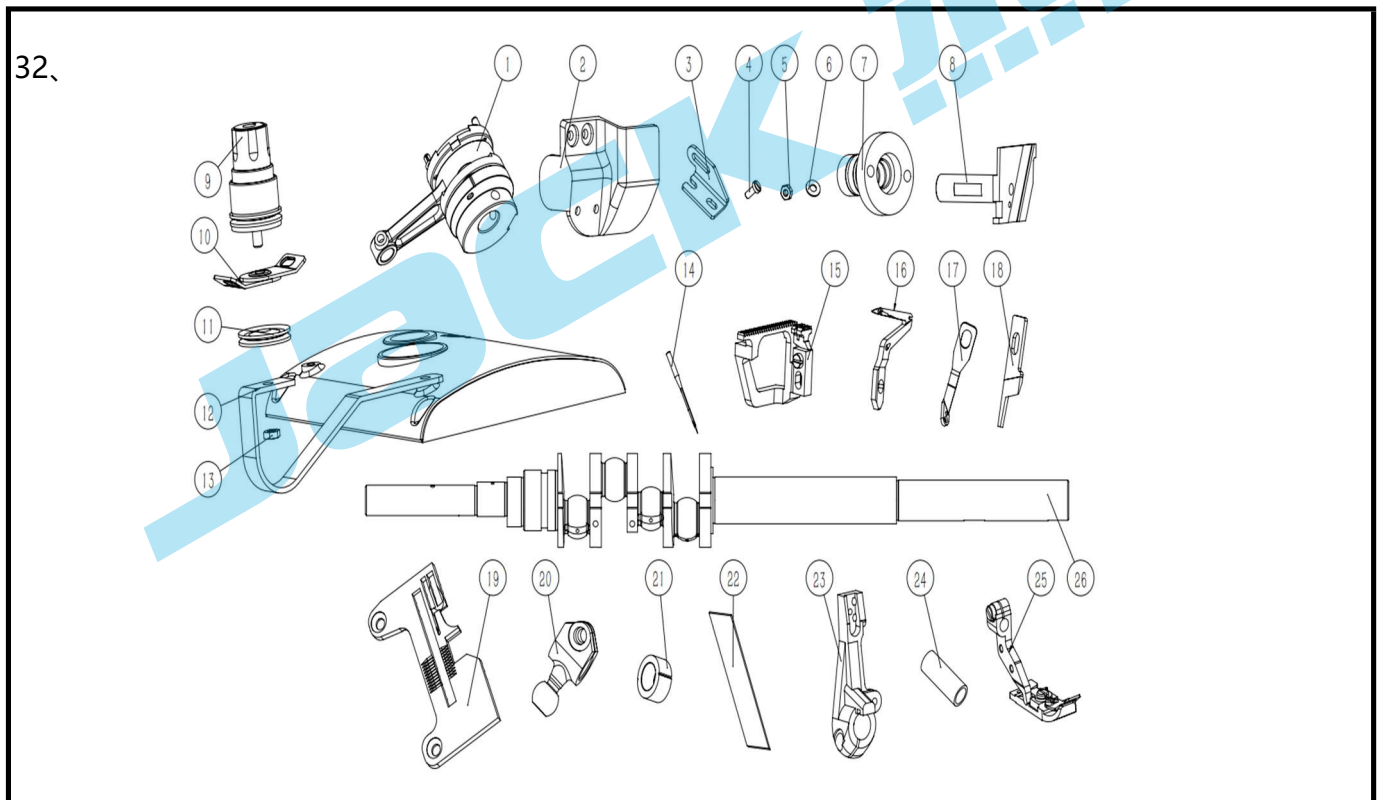
31、



三十一、C4/气动C5M04专用部件/Specific Parts

| 序号 NO. | 公司件号 Part NO. | 名称 PartName | 零件描述 Description | 数量 (Number) | |
|-----------|------------------|----------------|-------------------------|-----------------------|----------------------|
| | | | | 五线 five- thread | 六线 six- thread |
| 1 | 20713055 | 挑线架 | Thread Takeup | 1 | 1 |
| 2 | 20713056 | 过线板 | Tension Guide | 1 | 0 |
| 3 | 20713017 | 过线 | Thread Guide | 0 | 1 |
| 4 | 20117014 | 19#机针 | Needle | 2 | 3 |
| 5 | 121134001 | 针夹头 | Needle Holder | 1 | 0 |
| | 21134001 | 针夹头(六线) | Needle Holder | 0 | 1 |
| 6 | 21213010 | 过线 | Thread Guide | 1 | 1 |
| 7 | 20708023 | 衬套 | Spacer | 1 | 1 |
| 8 | 20713053 | 过线 | Thread Guide | 1 | 1 |
| 9 | 21127006 | 压杆弹簧(厚料) | Spring | 1 | 1 |
| 10 | 20719053 | 压脚扭簧 | Spring | 1 | 1 |
| 11 | 20712052 | 压脚挡片 | Finger Guard | 1 | 1 |
| 12 | 207S20010 | 轴位螺钉M3×3.5 | Screw | 1 | 1 |
| 13 | 2061604100 | 压脚组件(五线厚料) | Presser Foot Assy | 1 | 0 |
| | 2111600500 | 压脚组件(六线) | Presser Foot Assy | 0 | 1 |
| 14 | 207S11020 | 开槽圆柱头螺钉 | Screw | 1 | 1 |
| 15 | 12131400600 | 牙齿组件 | Main Feed Dog Complete | 1 | 1 |
| 16 | 20704023 | 上轴曲柄(M) | Crank | 1 | 1 |
| 17 | 2070402100 | 上弯针滑杆组件 | Upper Loper Holder Assy | 1 | 1 |
| 18 | 21102026 | 曲轴(四线适应性)(精密) | Crankshaft | 1 | 1 |
| 19 | 20715079 | 针板(厚料) | Needle Plate | 1 | 0 |
| | 21115035 | 针板(六线) | Needle Plate | 0 | 1 |
| 20 | 20717060 | 链线弯针(厚料) | Double Chainstith Loper | 1 | 1 |
| 21 | 121119001 | 下刀(五线厚料) | Lower Knife | 1 | 1 |
| 22 | 20619009 | 上刀(厚料) | Upper Knife | 1 | 1 |
| 23 | 121213001 | 封闭式挑线杆(五线厚料) | Thread Takeup | 1 | 0 |
| | 121113003 | 挑线杆(六线) | Thread Takeup | 0 | 1 |
| 24 | 20701052 | 下刀架 | Lower Knife Holder | 1 | 1 |

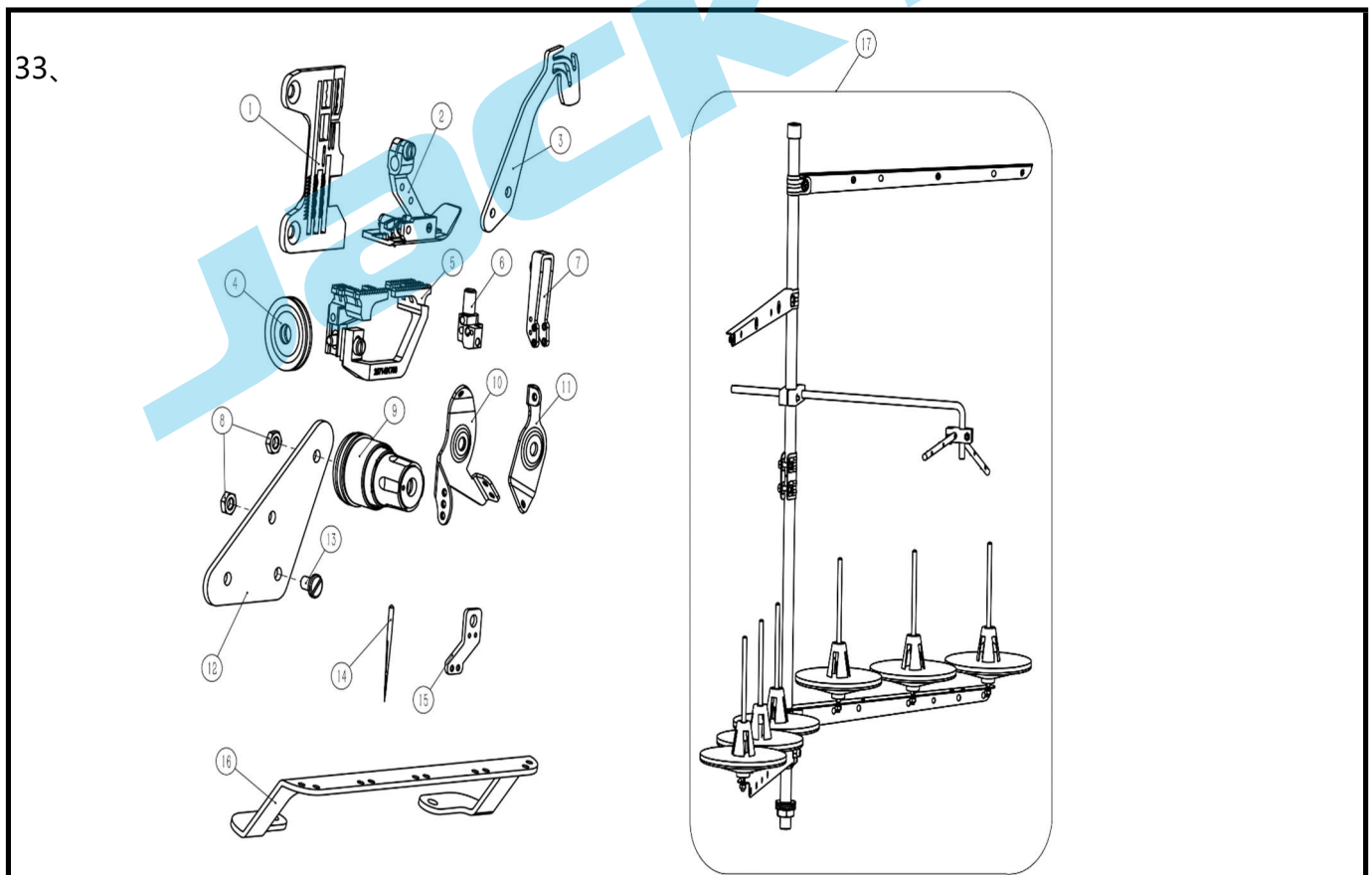
| | | | | | |
|----|-------------|------------------|-------------------------|---|---|
| 25 | 12111300200 | 过线 | Thread Guide | 0 | 1 |
| 26 | 21113014 | 过线片2(六线) | Thread Guide | 0 | 1 |
| 27 | 201S16003 | 螺母 | Stopper | 0 | 1 |
| 28 | 206S11005 | 螺钉SM11/64X40X7.3 | Screw | 0 | 1 |
| 29 | 21113015 | 过线架(六线) | Thread Guide | 0 | 1 |
| 30 | 21311161 | 夹线片 | Tension Disc | 0 | 2 |
| 31 | 2111300800 | 夹线器组件(黄点) | Tension Spring Assembly | 0 | 1 |
| 32 | 21113012 | 夹线器安装板(六线) | Clamp mounting plate | 0 | 1 |
| 33 | 21213001 | 过线(六线) | Thread Guide | 0 | 1 |
| 34 | 121101002 | 上刀座 | Upper Knife Clamp | 0 | 1 |
| 35 | 21113013 | 过线片1(六线) | Thread Guide | 0 | 1 |



三十二、C4WF专用部件/Specific Parts

| 序号 NO. | 公司件号 Part NO. | 名称 PartName | 零件描述 Description | 数量 (Number) |
|--------|------------------|---------------|------------------|--------------|
| | | | | 三线 |
| | | | | three-thread |
| 1 | 2071000900 | 送料组件 | Connection | 1 |
| 2 | 21111007 | 防护罩(无纺布) | Eye Guide | 1 |
| 3 | 21212026 | 过线 | Thread Guide | 1 |
| 4 | S01063 | 开槽圆柱头螺钉M2.5×6 | Screw | 2 |
| 5 | N01018 | 螺母 | Stopper | 2 |
| 6 | W01011 | 垫圈 | Washer | 2 |

| | | | | |
|----|-------------|--------------------------------|-------------------------|-------|
| 7 | 20703011 | 送布轴左套 | Sleeve | 1 |
| 8 | 20801056 | 下刀架(四线厚料) | Lower Knife Holder | 1 |
| 9 | 2111300600 | 夹线器组件(蓝点) | Tension Spring Assembly | 1 |
| 10 | 20713048 | 过线板(无纺布) | Thread Guide | 2 |
| 11 | 21311161 | 夹线片 | Tension Disc | 2 |
| 12 | 930000210 | 夹线器支架 | | 1 |
| 13 | 201S16003 | 螺母 | Stopper | 1 |
| 14 | 20117013 | 14#机针 | Needle | 1 |
| 15 | 2071407100 | 主送布牙(无纺布) | Main Feed Dog Complete | 1 |
| 16 | 20717012 | 下弯针(无纺布) | Lower Looper | 1 |
| 17 | 21213007 | 过线 | Thread Guide | 1 |
| 18 | 20619009 | 上刀(厚料) | Upper Knife | 1 |
| 19 | 20715074 | 针板(无纺布) | Needle Plate | 1 |
| 20 | 400037 | 上弯针球曲柄 | Crank | 1 |
| 21 | 20708006 | 衬套 | Spacer | 1 |
| 22 | 20719005 | 下刀 | Lower Knife | 1 |
| 23 | 20704051 | 下弯针架(无纺布) | Lower Looper Holder | 1 |
| 24 | 121221002 | 无纺布下刀套管 $\phi 7 \times \phi 9$ | | 0.023 |
| 25 | 12121601800 | 压脚组件(无纺布) | Presser Foot Assy | 1 |
| 26 | 21102023 | 曲轴(无纺布) | Crankshaft | 1 |

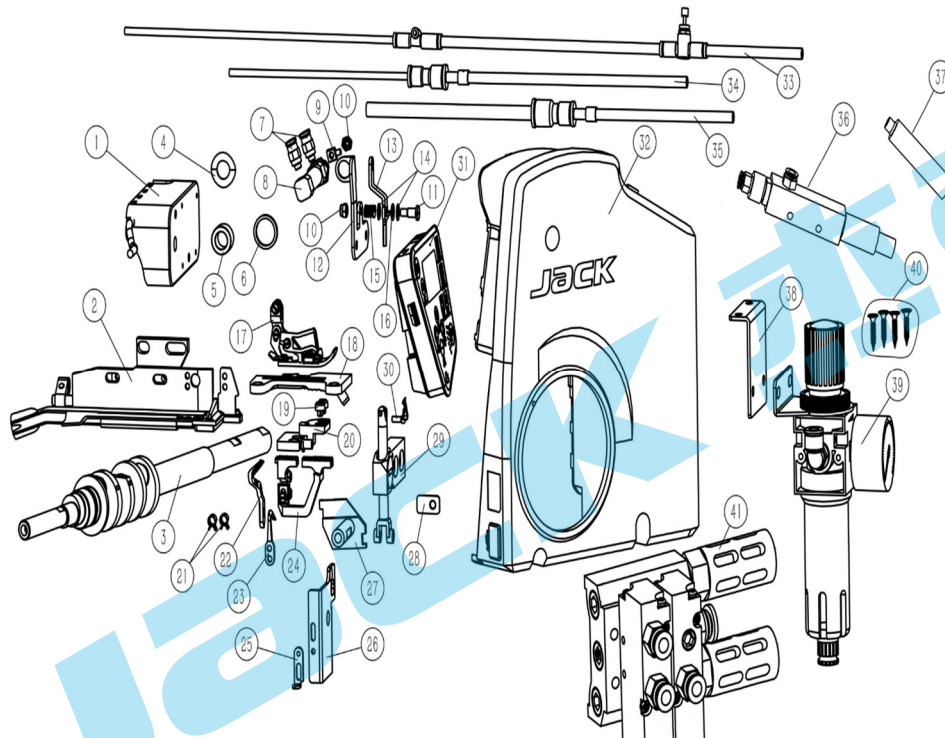


三十三、6线专用部件/Six-thread Specific Parts

| 序号 NO. | 公司件号 Part NO. | 名称 PartName | 零件描述 Description | 数量 (Number) | | |
|--------|------------------|-------------|------------------|------------------|-----------------|-----------------|
| | | | | 三线 | 五线 | 六线 |
| | | | | three- thread | four- thread | five- thread |
| 1 | 20715211 | 针板 | Needle Plate | / | / | 1 |

| | | | | | | |
|----|-------------|------------------|-------------------------|---|---|---|
| 2 | 12121601300 | 压脚组件(六线3×2) | Presser Foot Assy | / | / | 1 |
| 3 | 21213014 | 挑线杆(六线) | Thread Takeup | / | / | 1 |
| 4 | 21311161 | 夹线片(自制) | Tension Disc | / | / | 2 |
| 5 | 2071401700 | 牙齿组件 | Main Feed Dog Complete | / | / | 1 |
| 6 | 20719057 | 针夹头(六线) | Needle Holder Assembly | / | / | 1 |
| 7 | 12111300200 | 过线 | Thread Guide | / | / | 1 |
| 8 | 201S16003 | N03螺母 | Nut | / | / | 2 |
| 9 | 2111300800 | 夹线器组件(黄点) | Tension Spring Assembly | / | / | 1 |
| 10 | 21113013 | 过线片1(六线) | Thread Guide | / | / | 1 |
| 11 | 21113014 | 过线片2(六线) | Thread Guide | / | / | 1 |
| 12 | 21113012 | 夹线器安装板(六线) | Clamp Mounting Plate | / | / | 1 |
| 13 | 206S11005 | 螺钉SM11/64×40×7.3 | Screw | / | / | 1 |
| 14 | 20117012 | DCX27#11机针 | Needle | / | / | 7 |
| 15 | 21213001 | 过线(六线) | Thread Guide | / | / | 1 |
| 16 | 21113015 | 过线架(六线) | Thread Guide | / | / | 1 |
| 17 | 2113102700 | 线架组件(六线) | Thread Stand Component | / | / | 1 |

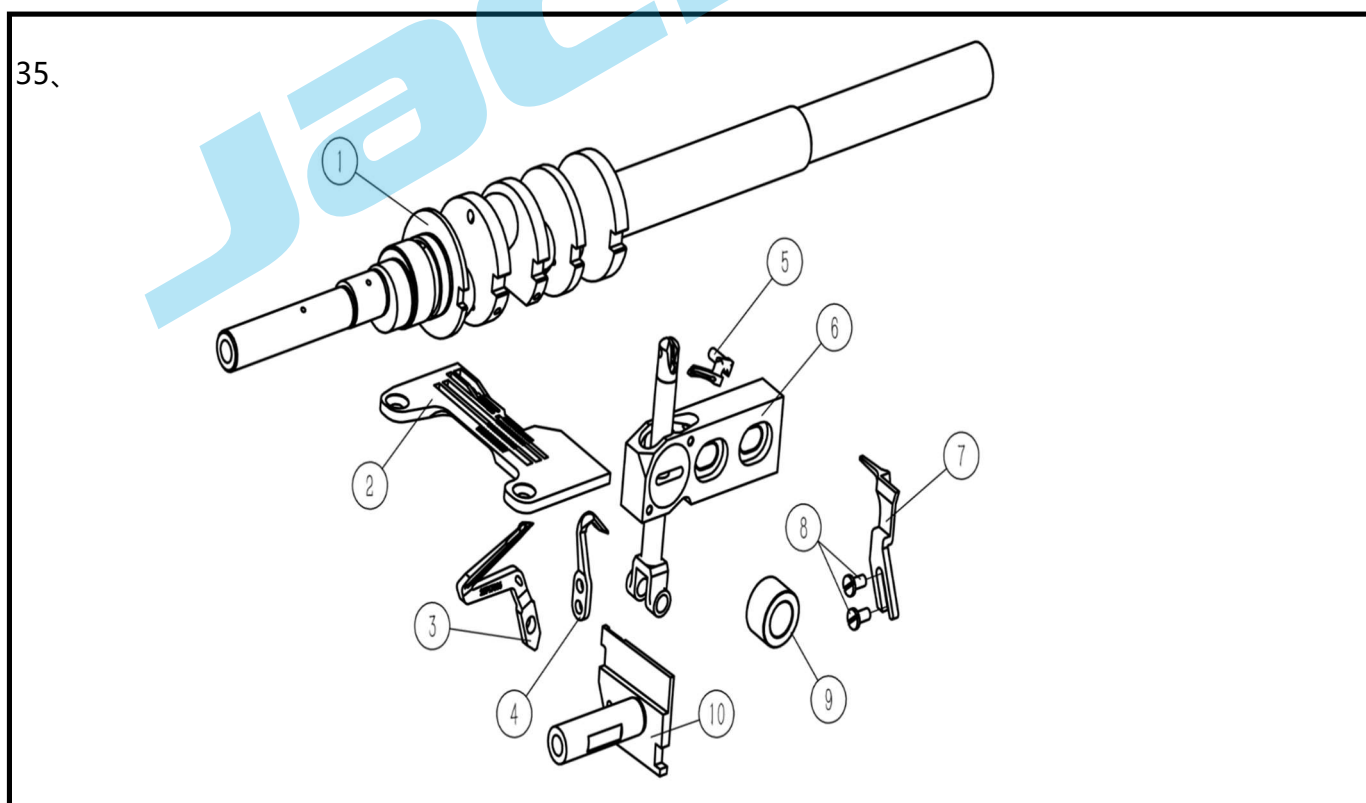
34、



三十四、C4倒回缝专用部件/ Specific Parts

| 序号 NO. | 公司件号 Part NO. | 名称 PartName | 零件描述 Description | 数量 (Number) | | |
|--------|------------------|----------------|------------------------------------|------------------|-----------------|-----------------|
| | | | | 三线 | 四线 | 五线 |
| | | | | three- thread | four- thread | five- thread |
| 2 | 2071208900 | 自动剪线刀组件(委外) | Cutter Assembly | / | 1 | / |
| 3 | 21102026 | 曲轴(四线适应性)(精密) | Crankshaft | / | 1 | / |
| 4 | W02017 | 波形弹性垫圈 10 | Spring Washer | / | 1 | / |
| 5 | 20703060 | 衬套A | Spacer | / | 1 | / |
| 6 | 20728010 | 缝台垫圈 | Washer | / | 1 | / |
| 7 | 21145012 | 气管接头 | Joint | / | 2 | / |
| 8 | 21145005 | 松线双向气缸 | Two-way cylinder with loose thread | / | 1 | / |
| 9 | 21104009 | 松线接头M4 | Joint | / | 1 | / |
| 10 | N09002 | 非金属嵌件六角锁紧薄螺母M4 | Nut | / | 2 | / |
| 11 | 211S20003 | 松线轴位螺钉 | Screw | / | 1 | / |
| 12 | 21112048 | 下松线板 | Slack wire | / | 1 | / |
| 13 | 21112047 | 上松线板 | Top loose wyre | / | 1 | / |
| 14 | 21128005 | 垫圈 | Washer | / | 2 | / |
| 15 | 21127015 | 松线弹簧 | Spring | / | 1 | / |

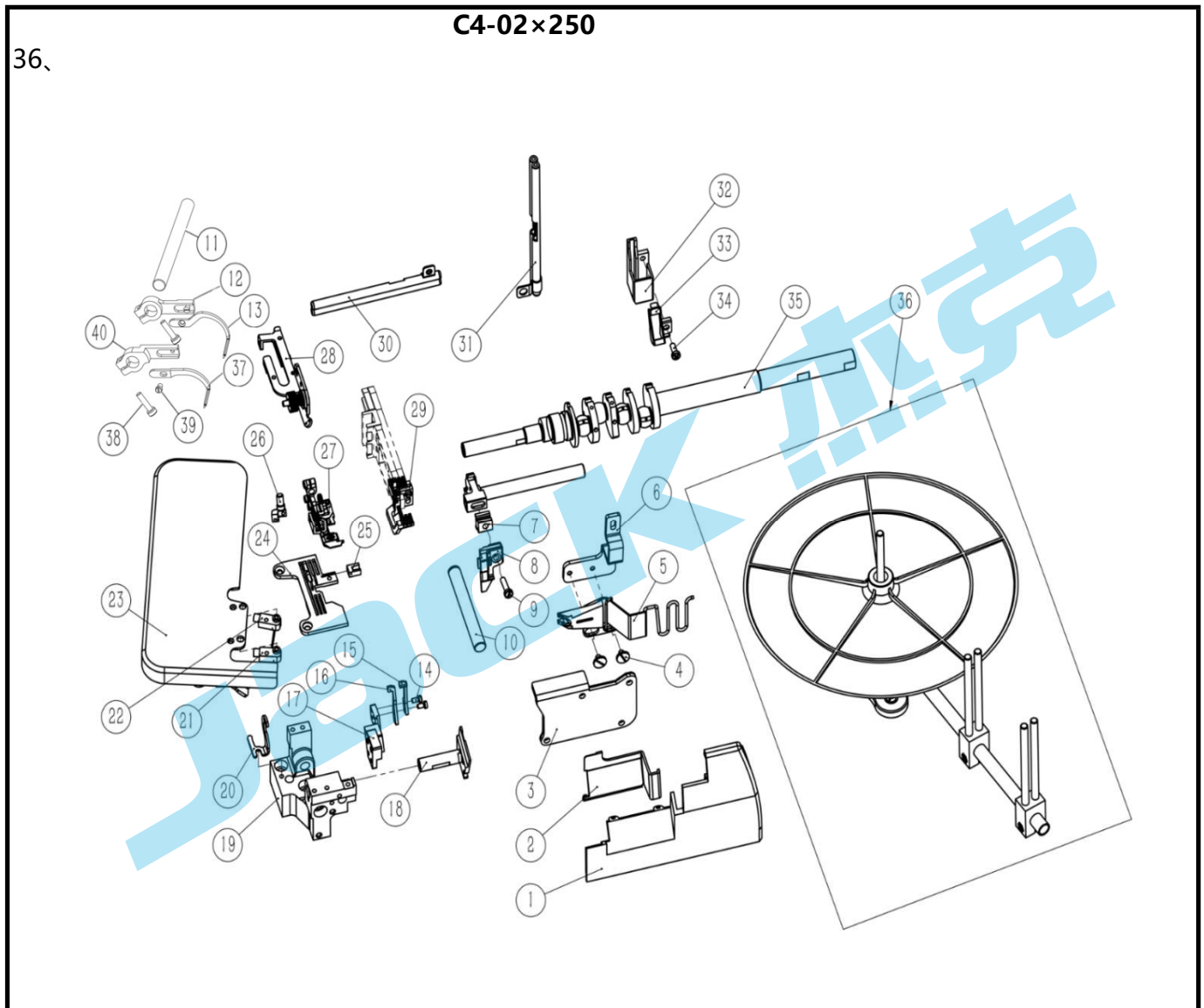
| | | | | | | |
|----|-------------|-------------------|-----------------------------------|---|---|---|
| 16 | 21128004 | 垫圈 | Washer | / | 1 | / |
| 17 | 2071600200 | 压脚组件 | Presser Foot Assy | / | 1 | / |
| 18 | 12111500100 | 针板组件(气动BK) | Needle Plate | / | 1 | / |
| 19 | 20722024 | 减震垫(气动BK) | Cushion Rubber | / | 2 | / |
| 20 | 121109004 | 针板垫块(前)(BK) | Bracket | / | 1 | / |
| 21 | 21129001 | 油管卡簧 | Ring | / | 2 | / |
| 22 | 20717006 | 下弯针(JK) | Lower Looper | / | 1 | / |
| 23 | 20717002 | 护针(后) | Needle Guard | / | 1 | / |
| 24 | 2071407800 | 送布牙组件(气动BK) | Main Feed Dog Complete | / | 1 | / |
| 25 | 20712118 | 下刀座前垫护板(气动BK) | Latch | / | 1 | / |
| 26 | 20712141 | 挡板(气动BK) | Plate | / | 1 | / |
| 27 | 20701132 | 下刀架(气动BK) | Lower Knife Holder | / | 1 | / |
| 28 | 20728018 | 垫片 | Washer | / | 1 | / |
| 29 | 2070403500 | 上弯针滑杆组件DLC厚料 | Upper Looper Holder Assy | / | 1 | / |
| 30 | 20717050 | 上弯针 | Upper Looper | / | 1 | / |
| 31 | 12111103100 | 操作面板组件(BK) | Operation Panel | / | 1 | / |
| 32 | 121130065 | 包缝一体式控制器(T19)(BK) | Controller | / | 1 | / |
| 33 | 21145011 | 流量调节阀 | Flow control valve | / | 1 | / |
| 34 | 121145013 | φ6转φ4气管 | Trachea | / | 1 | / |
| 35 | 121145014 | φ8转φ6气管 | Trachea | / | 1 | / |
| 36 | 121145017 | 真空发生器 | Vacuum generator | / | 1 | / |
| 37 | 121145018 | 消音器 | Silencer | / | 1 | / |
| 38 | 30112235 | 气压表安装板 | Air pressure gauge mounting plate | / | 1 | / |
| 39 | 20730329 | 过滤减压阀 | Valve | / | 1 | / |
| 40 | 301S10150 | 螺钉包 | Screw | / | 1 | / |
| 41 | 121145012 | 电磁阀(两排BK) | Solenoid Valve | / | 1 | / |



三十五、AD专用部件/ Specific Parts

| 序号 NO. | 公司件号 Part NO. | 名称 PartName | 零件描述 Description | 数量 (Number) | | |
|--------|------------------|-------------|------------------|------------------|-----------------|-----------------|
| | | | | 三线 | 四线 | 五线 |
| | | | | three- thread | four- thread | five- thread |
| | | | | | | |

| | | | | | | |
|----|------------|--------------|--------------------------|---|---|---|
| 1 | 21102026 | 主轴 | Crankshaft | / | 1 | / |
| 2 | 20715220 | 针板 | Needle Plate | / | 1 | / |
| 3 | 20717006 | 下弯针(JK) | Lower Looper | / | 1 | / |
| 4 | 20717002 | 护针(后) | Needle Guard | / | 1 | / |
| 5 | 20717050 | 上弯针 | Upper Looper | / | 1 | / |
| 6 | 2070403500 | 上弯针滑杆组件DLC厚料 | Upper Looper Holder Assy | / | 1 | / |
| 7 | 20715090 | 滑线片 | Slider | / | 1 | / |
| 8 | 207S11015 | 开槽圆柱头螺钉M3×6 | Screw | / | 2 | / |
| 9 | 20703060 | 衬套A | Spacer | / | 1 | / |
| 10 | 20701094 | 下刀架 | Lower Knife Holder | / | 1 | / |



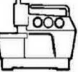







三十六、C4包兜机专用件/Specific Parts

| 序号 NO. | 公司件号 Part NO. | 名称 PartName | 零件描述 Description | 数量 (Number) | | |
|--------|------------------|-------------|---------------------------------|------------------|-----------------|-----------------|
| | | | | 三线 | 四线 | 五线 |
| | | | | three- thread | four- thread | five- thread |
| 1 | 303982 | 右前盖 | Front Cover(right) | / | 1 | / |
| 2 | 21212025 | 左前盖 | Front Cover(left) | / | 1 | / |
| 3 | 2071203400 | 前盖挡油板组件 | Front Cover Oil Baffle Assembly | / | 1 | / |
| 4 | 206S11012 | 螺钉 | Screw | / | 2 | / |
| 5 | 20701113 | 卷具组件(28mm) | Curring Assembly | / | 1 | / |
| 6 | 20712093 | 卷具固定座 | Dead Board | / | 1 | / |
| 7 | 20709023 | 上刀座垫块 | Heel Block | / | 1 | / |
| 8 | 20701014 | 上刀座 | Upper Knife Clamp | / | 1 | / |

| | | | | | | |
|----|-------------|---------------|----------------------------|---|---|---|
| 9 | S01032 | 螺钉M4×17 | Screw | / | 1 | / |
| 10 | 21202004 | 下弯针轴 | Shaft | / | 1 | / |
| 11 | 121402003 | 链线轴 | Shaft | / | 1 | / |
| 12 | 121104025 | 后弯针架 | Looper Holder | / | 1 | / |
| 13 | 121117015 | 后链线弯针 | Double Chainstith Looper | / | 1 | / |
| 14 | S01027 | 螺钉M3×6 | Screw | / | 2 | / |
| 15 | 20717026 | 机针护针(后) | Needle Guard | / | 1 | / |
| 16 | 20717025 | 机针护针(前) | Needle Guard | / | 1 | / |
| 17 | 20704026 | 托架 | Bracket | / | 1 | / |
| 18 | 20701089 | 下刀架 | Lower Knife Holder | / | 1 | / |
| 19 | 121101018 | 下刀座 | Bracket Assembly | / | 1 | / |
| 20 | 20713025 | 过线 | Thread Guide | / | 1 | / |
| 21 | 20730311 | 前接收装置 | Receiver Attachmnet(front) | / | 1 | / |
| 22 | 20730312 | 后接收装置 | Receiver Attachmnet(back) | / | 1 | / |
| 23 | 12111201900 | 缝台组件 | Cloth Plate | / | 1 | / |
| 24 | 20715047 | 针板 | Needle Plate | / | 1 | / |
| 25 | 20512012 | 缝料档块 | Link Stopper | / | 1 | / |
| 26 | 20734008 | 针夹头 | Needle Holder Assembly | / | 1 | / |
| 27 | 2061603300 | 压脚组件 | Presser Foot Assy | / | 1 | / |
| 28 | 2061205900 | 打线凸轮架组件 | Looper Thread Takeup Assy | / | 1 | / |
| 29 | 2071407400 | 牙齿组件 | Main Feed Dog Complete | / | 1 | / |
| 30 | 20713028 | 过线管组件 | Thread Guide Assy | / | 1 | / |
| 31 | 2071303500 | 竖向过线管组件 | Thread Guide Assy | / | 1 | / |
| 32 | 20711021 | 上硅油盒 | Cover | / | 1 | / |
| 33 | 20713019 | 过线架 | Thread Guide | / | 1 | / |
| 34 | S04060 | 螺钉M4×10 | Screw | / | 1 | / |
| 35 | 21102026 | 曲轴(四线适应性)(精密) | Crankshaft | / | 1 | / |
| 36 | 3011101800 | (O2带子托盘)托盘组件 | Pallet | / | 1 | / |
| 37 | 121117014 | 前链线弯针 | Double Chainstith Looper | / | 1 | / |
| 38 | 207S13008 | 螺钉M4×16 | Screw | / | 2 | / |
| 39 | S01061 | 螺钉M3.5×5 | Screw | / | 1 | / |
| 40 | 121104026 | 前弯针架 | Looper Holder | / | 1 | / |

C4标准度量零件表

|  |  |  |  |  |  |  |  |  |  | |
|---|---|---|---|---|--|---|---|---|---|----------|
| 型号 | 间距 | | 针板 | 送布牙组件 | 压脚组件 | 上弯针 | 下弯针 | 链线弯针 | 针夹 | 机针 |
| MACHINE TYPE/SPEC | GAUGE | | NEEDLE PLATE | MAIN FEED DOG ASS | PRESSER FOOT ASS | UPPER LOOPER | LOWER LOOPER | CHAINSTITCH LOOPER | NEEDLE HOLDER | NEEDLE |
| | NG | SW | | | | | | | | |
| C4-02×250 | 5 | 5 | 20715047 | 2071407400 | 12121601500 | — | — | 20717024 | 20734008 | DC×27#14 |
| C4-3-02/233 | — | 4 | 20715203 | 2071400100 | 2071608600 | 20717004 | 20717006 | — | 20734001 | DCx27#11 |
| C4-3-12/233 | — | 4 | 20715046 | 20714059 | 2041600100 | 20717004 | 20717006 | — | 20734001 | DCx27#11 |
| C4-3-32R2/223 | — | 1.5 | 20715209 | 20714007 20714008 | 12121600600 | 20717004 | 20717006 | — | 20734001 | DCx27#9 |
| C4-4-M03/333 | 2 | 4 | 20715201 | 2071400100 | 2071609400 | 20717004 | 20717006 | — | 20734002 | DCx27#11 |
| C4-4-24/445 | 3 | 4 | 121115014 | 2071400100 | 12111602200 | 20717050 | 20717006 | — | 121134004 | DCx27#11 |
| C4-4-M03/333/AD | 2 | 4-6 | 20715220 | 2071400100 | 2071609400 | 20717050 | 20717006 | — | 20734002 | DCx27#11 |
| C4-4-M03/333/H/M | 2 | 4 | 20715201 | 2071400100 | 2071609400 | 20717050 | 20717006 | — | 20734002 | DCx27#11 |
| C4-4-83/323/BK | 2 | 4 | 12111500100 | 2071407800 | 12121605400 | 20717050 | 20717006 | — | 20734002 | DCx27#11 |
| C4-4-M03/333/KD | 2 | 4 | 20715201 | 2071400100 | 2111600100 | 20717004 | 20717006 | — | 20734002 | DCx27#11 |
| C4-4-M03/333/PL | 2 | 4 | 20715201 | 2071400100 | 2071609400 | 20717004 | 20717006 | — | 20734002 | DCx27#11 |
| C4-5-03/233 | 5 | 5 | 20715205 | 12111402100 | 12121601000 | 20717004 | 20717006 | 20712047 | 20734004 | DCx27#14 |
| C4-5-03/333 | 3 | 4 | 20715204 | 12111402000 | 12121600900 | 20717004 | 20717006 | 20712047 | 20734003 | DCx27#14 |
| C4-5-03/333/KI | 3 | 4 | 20715204 | 12111402000 | 12121600900 | 20717004 | 20717006 | 20712047 | 20734003 | DCx27#14 |
| C4-5-53/233 | 3 | 5 | 20715044 | 2071401800 | 12121601400 | 20717004 | 20717006 | 20712047 | 20734003 | DCx27#14 |
| C4-5-04/224 | 5 | 5 | 121115008 | 12111401200 | 12121601000 | 20717050 | 20717006 | 20712047 | 20734004 | DCx27#14 |
| C4-5-A04/435 | 5 | 6 | 20715206 | 2131400900 | 12121601100 | 20717050 | 20717006 | 20717051 | 20719056 | DCx27#19 |
| C4-6-03/333 | 3X2 | 4 | 20715211 | 12111402100 | 12121601300 | 20717004 | 20717006 | 20712047 | 20719057 | DCx27#11 |
| C4-6-53/233 | 3X2 | 4 | 20715088 | 2071402500 | 12121601700 | 20717004 | 20717006 | 20712047 | 20719057 | DCx27#14 |
| C4-5-M04/435 | 5 | 6 | 20715079 | 12131400600 | 2061604100 | 20717004 | 20717006 | 20717060 | 121134001 | DCx27#19 |
| C4-6-M04/435 | 5X2.5 | 3.5 | 21115035 | 12131400600 | 2111600500 | 20717004 | 20717006 | 20717060 | 21134001 | DCx27#19 |
| C4-6-M54/435 | 5X2.5 | 3.5 | 121115021 | 12131400600 | 12111603800 | 20717004 | 20717006 | 20717060 | 21134001 | DCx27#19 |
| C4MJ-4-53/233 | 3X2 | 4 | 20715088 | 2071402500 | 12121601700 | 20717022 | 20717023 | — | 20734002 | DCx27#11 |
| C4WF-3-02/213 | — | 4 | 20715074 | 2071407100 | 12121601800 | 20717004 | 20717012 | — | 20734001 | DCX27#11 |

|  |  |  |  |  |  |  |  | |
|---|---|---|---|---|---|---|---|----------|
| 型号 | 间距 | | 上刀 | 下刀 | 弯针护针 | | 机针护针 | |
| MACHINE TYPE/SPEC | GAUGE | | UPPER KINIFE | LOWER KINIFE | OVERLOCK NEEDLE GUARO | | CHAINSTITCH NEEDLE | |
| | NG | SW | | | 前 | 后 | 前 | 后 |
| | | | | | FRONT | REAR | FRONT | REAR |
| C4-02×250 | 5 | 5 | 20719007 | 21317002 | 20717025 | 20717026 | 20712045 | 20701032 |
| C4-3-02/233 | — | 4 | 20719007 | 21317002 | — | 20717002 | 20717001 | — |
| C4-3-12/233 | — | 4 | 20719007 | 21317002 | — | 20717002 | 20717001 | — |
| C4-3-32R2/223 | — | 1.5 | 20719007 | 21317002 | — | 20717002 | 20717001 | — |
| C4-4-M03/333 | 2 | 4 | 20719007 | 21317002 | — | 20717002 | 20717001 | — |
| C4-4-24/445 | 3 | 4 | 20619009 | 121119001 | — | 20717002 | 20717001 | — |
| C4-4-M03/333/AD | 2 | 4-6 | 20719007 | 21317002 | — | 20717002 | 20717001 | — |
| C4-4-M03/333/H/M | 2 | 4 | 20719007 | 21317002 | — | 20717002 | 20717001 | — |
| C4-4-83/323/BK | 2 | 4 | 20719007 | 21317002 | — | 20717002 | 20717001 | — |
| C4-4-M03/333/KD | 2 | 4 | 20719007 | 21317002 | — | 20717002 | 20717001 | — |
| C4-4-M03/333/PL | 2 | 4 | 20719007 | 21317002 | — | 20717002 | 20717001 | — |
| C4-5-03/233 | 5 | 5 | 20719007 | 21317002 | 20717008 | 20717002 | 20712045 | 20701032 |
| C4-5-03/333 | 3 | 4 | 20719007 | 21317002 | 20717008 | 20717002 | 20712045 | 20701032 |
| C4-5-03/333/KI | 3 | 4 | 20719007 | 21317002 | 20717008 | 20717002 | 20712045 | 20701032 |
| C4-5-53/233 | 3 | 5 | 20719007 | 21317002 | 20717008 | 20717002 | 20712045 | 20701032 |
| C4-5-04/224 | 5 | 5 | 20719007 | 21317002 | 20717008 | 20717002 | 20712045 | 20701032 |

| | | | | | | | | |
|---------------|-------|-----|----------|-----------|----------|----------|----------|----------|
| C4-5-A04/435 | 5 | 6 | 20719050 | 121119001 | 20717008 | 20717002 | 20712045 | 20701032 |
| C4-6-03/333 | 3 | 4 | 20719007 | 21317002 | 20717008 | 20717002 | 20712045 | 20701032 |
| C4-6-53/233 | 3X2 | 4 | 20719007 | 21317002 | 20717008 | 20717002 | 20712045 | 20701032 |
| C4-5-M04/435 | 5 | 6 | 20619009 | 121119001 | 20717008 | 20717002 | 20712045 | 20701032 |
| C4-6-M04/435 | 5X2.5 | 3.5 | 20619009 | 121119001 | 20717008 | 20717002 | 20712045 | 20701032 |
| C4-6-M54/435 | 5X2.5 | 3.5 | 20619009 | 121119001 | 20717008 | 20717002 | 20712045 | 20701032 |
| C4MJ-4-53/233 | 3x2 | 4 | 20719007 | 21317002 | — | 20717002 | 20717001 | — |
| C4WF-3-02/213 | — | 4 | 20619009 | 20719005 | — | 20717002 | 20717001 | — |

杰克科技股份有限公司

成套智联

让服装智造无限可能

杰克科技股份有限公司

JACK TECHNOLOGY CO., LTD.

●公司地址(Address of Company):

中国浙江省台州市椒江区三甲东海大道东段1008号

NO. 1008 DONGHAI AVENUE EAST, JIAOJIANG DISTRICT, TAIZHOU CITY, ZHEJIANG PROVINCE CHINA.

邮编(Zip Code): 318000

●国内销售部(Domestic Trade Department):

电话(TEL): 0086-0576-88177788 88177789

●国贸部(International Trade Department):

电话(TEL): 0086-0576-88177782

●免费售后服务电话(Service Hotline No): 400-8876858

<http://www.chinajack.com>

●资料如有更改, 恕不另行通知, 以实物为准。

The information is subject to change without prior notice.

Pls reference according actual one.

2024年6月版

